

A high-angle photograph of three construction workers in green shirts and helmets working on a corrugated metal roof. They are using power tools. The background shows a scenic landscape with green hills and mountains under a clear blue sky.

Roofing and Cladding





Table of content

Technical introduction

4	The building envelope specialist
7	Latest products
8	Features and innovations
10	Environmental declaration
11	FM approval
13	Technical approval
14	Environmental conditions
15	Contact corrosion
16	Product overview – Roofing and Cladding
19	Product overview – Structural Connections
20	Applications of Roofing and Cladding
30	Sealing washers
32	Installation instructions
34	Clamping range and fixing thickness
40	Product codes

Products – Roofing and Cladding

42	Stainless steel fasteners
112	Carbon steel fasteners
180	Rivets
182	Tools and Accessories

Products – Structural Connections

212	Fasteners
228	Tools and Accessories

The building envelope specialist

We strive for continuous improvement and innovation – always in close collaboration with our customers, colleagues and suppliers. We want to be successful together, improve all the time, see where the technological limits are and drive them forward.



SFS creates value with advanced fastening systems for the building envelope. As the leading specialist in this application we offer the highest possible expertise focusing on specific customer segments. Our offering embraces application consultation, development, manufacture, distribution and after sales services. Together with our partners we invent new products and services for our shared success.

Unusual roof structure

Bene, a manufacturer of office furniture in Waidhofen an der Ybbs, Austria, had a roof refurbishment performed during ongoing operations with SXC5 fasteners from SFS. The roof is roughly 23,000 m² in size and features an unusual structure: The production hall is covered by something referred to as a saw-tooth roof. This type of roof has a series of several self-supporting pitched-roof-type struc-

tures set at different angles. These lean-to roofs have one surface with a flatter pitch that is covered with roofing material and a steeper glazed side that admits light. The flatter side protects against weather while the light-permeable side allows light to enter evenly in order to illuminate the large roof-covered spaces. Since the roof structure had seen better days and sustained quite a bit of damage over the years, rooftop refurbishment began in spring 2023. While this project was underway, the company also seized the opportunity to improve the roof's thermal performance and mount a photovoltaic system.

The fact that office furniture production was to continue in the hall during the refurbishment work presented a special challenge. The glass panes on the sides of the individual lean-to elements of the saw-tooth roof's structure posed a fall hazard that needed to be



taken into consideration in order to prevent injuries to employees working in the hall or damage to expensive machines and products. With that in mind, the Hörmann team erected temporary roof tents made of wood. This approach enabled a step-by-step approach to the refurbishment: The 23,000 m² rooftop was divided into individual segments, which were then refurbished one after another.

SXC5 for secure fastening

SFS delivered around 46,000 SXC5 self-drilling fasteners to the construction site for mounting the individual elements on the rooftop. These fasteners are made of A2 stainless steel and were designed specifically for fastening sandwich elements. The European Technical Assessment (ETA) attests to the high tensile strength of the SXC5. What that means: fewer fasteners are needed when performing repairs, saving valuable installation time and cutting down on the materials used on the construction site.

The benefits offered by the SXC5 fasteners let SFS put its strengths on display in Bene's saw-tooth roof project. These fasteners' technical advantages kept the repair work on schedule, even despite the tight deadline.

Added Value

- Cut-off thread-end provides optimal support for the outer layer of the sandwich element
- High-quality EPDM sealing washer for long-term weatherproofing
- Long drill point for easy drilling through overlapping metal profiles
- High level of elasticity – the fasteners reliably absorb thermal expansion in the sandwich panels to prevent damage caused by temperature fluctuations





Latest products

Ergonomic setting tool ErgoDek®

Elevate your comfort and productivity with ErgoDek®. Our advanced system is designed to minimize strain and fatigue, ensuring comfort during extended use. With its innovative design, ErgoDek® significantly reduces installation time, allowing you to complete tasks more efficiently. Upgrade your workspace with ErgoDek® – where comfort meets productivity.



Ergonomic Design

- Operates efficiently while standing, reducing strain
- Adjustable handle accommodates users of various heights for optimal comfort
- Designed to minimize fatigue during extended use

Lightweight

- Lightweight making it exceptionally easy to handle
- Effortless transportation and maneuverability on the job
- Compact size allows a convenient storage and use in tight spaces

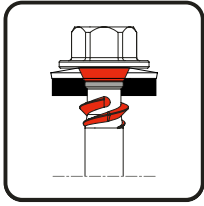
User-Friendly

- Comfortable to use with minimal pressure required during installation
- Compatible with various screwdrivers
- Used belts stand upright for easy collection, eliminating the need to bend over

Highly Effective

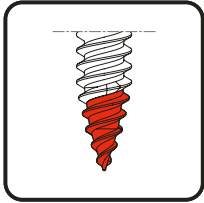
- Dramatically reduces installation time, significantly improving efficiency
- Spare parts are easy and quick to replace, minimizing downtime
- Designed for use with collated fasteners, ensuring a continuous and smooth installation process

Features and innovations



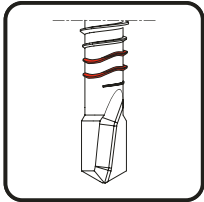
Premium-Sealing – improved air- and watertightness

The Premium-Sealing, characterized by its free-spin zone, double-support thread with cut-off thread-end, and cone underneath the head for improved settlement, features advanced sealing capabilities for various applications.



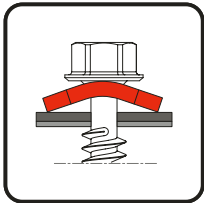
FastTip® – for rapid, chipless insertion

The FastTip® allows ergonomic, low-force insertion, while simultaneously providing super-efficient setting and improved technical characteristics.



Wave-Thread – improved values

This innovative SFS solution increases pull-out values, meaning that the number of fastening points and/or the thickness of the substructure can be reduced; saving tons of steel.



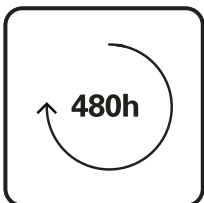
Thick to Thin – high application area

Products featuring “Thick to Thin” offer an extremely variable clamping range coupled with 100% setting security. This all-rounder meets customer needs head-on when it comes to non-seal-tight connections between thick components and thin substructures.



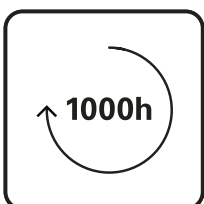
Safe setting – resistant to unwinding and vibration

The cut-off thread-end and defined free-spin zone join forces to offer easy-to-use, highly secured fasteners – safe against over-torquing. The result is a vibration-resistant connection that will not unwind.



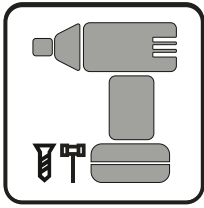
Durocoat® 480 – high corrosion resistance

This special surface coating offers a high corrosion resistance and guarantees a long protection against corrosive environmental conditions. Durocoat® 480 corresponds to a corrosion resistance of 480h in the salt spray test according to DIN EN ISO 9227.



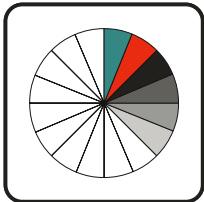
Durocoat® 1000 – highest corrosion resistance

This special surface stands for a high corrosion resistance and guarantees a very long protection against corrosive environmental influences. Durocoat® 1000 corresponds to a resistance of 1000h in the salt spray test according to DIN EN ISO 9227.



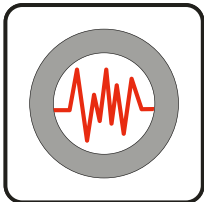
Impact gun can be used – ergonomical installation

The geometry of the fastener allows the use of an impact driver. These machines are ergonomic to use as there is no torque on the wrist. Also the machines are usually smaller than regular screwdriver and can therefore be used in hard-to-reach places.



Paintable fasteners – all variants available

SFS offers a wide solution of coloured fasteners, wet or powder painted. The coating process produces a robust finish that is excellent against weathering, offering colour stability in exposed external applications.



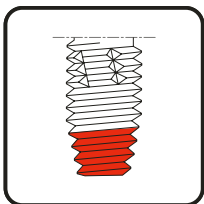
Seismic approved – high physical life

Seismic approved products have been developed for category C1 and/or C2 according to Eurocode EN 1992-4 and ensure high durability and service life.



Fire approved – reliable and secure

These products are produced from non-flammable material (class A1) according to EN 13501-1, and tested for their fire resistance to class R30–R120 according to EN 13501-2.



Centering point – easy installation

The special thread inlet makes it easy to install even mis-aligned components.



Full stainless fastener

Presenting SFS's groundbreaking full stainless steel fasteners, revolutionizing steel applications with sustainability and precision.

Environmental declaration



EPD stands for Environmental Product Declaration. We are proud to announce EPD for our roofing and cladding products. It is a standardized and verified document in accordance with international standard EN ISO 14025 and EN 15804+A2 and verified by independent third-party organizations such as British Research Establishment (BRE) in UK.

The declaration covers aspects such as energy use, greenhouse gas emissions, air and water pollution, waste generation and more. The goal is to offer transparent and dependable information, assisting architects, engineers, building owners, and others in making informed decisions regarding product and material sustainability.

The verified Life Cycle Assessment (LCA) acknowledges our dedication to sustainability and environmental responsibility across

all facets of our business. The EPD provides detailed information on the environmental impact of our fasteners, focusing on manufacturing process, called cradle to gate, end-of-life stage (module C) and the benefits and loads beyond the system boundary (module D) following the latest standard.



FM approval



FM approval is a product certification, provided by FM Approvals, a member of the industrial insurance company FM Global and recognized by leading companies around the world. We offer an extended range of FM approved products in the area of roofing and cladding.

Insuring with FM Global requires FM approved products for top quality and reduced risk, benefiting both owners and insurers. FM approved products undergo rigorous testing for safety, fire, wind load, etc., making them favorable for construction.

The FM approval testing is conducted exclusively by FM Approvals in Boston, United States. Upon successfully passing the test, the product earns the FM APPROVED mark visible on our packaging label. While obtaining the FM quality mark and the certificate of compliance is an initial achievement, maintaining it is equally crucial, ensured through regular audits by FM Approvals. Fulfilling these requirements ensures permission to

use their quality mark and signifies a commitment to ongoing quality assurances.

Three main reasons to choose FM approved fasteners:

1. One of the highest possible quality assurance proof in the area of roofing and cladding
2. Growing trend in the European market
3. Attracting major tenants from the United States to their European properties





Technical approval




A European Technical Assessment (ETA) provides recognized evidence of the performance of a construction product and enables CE marking, allowing products to be market throughout all European member states. Almost all of our roofing and cladding products are covered by an ETA.

The European Construction Products Regulation (CPR) establishes harmonized rules for construction products that are intended to be permanently incorporated into construction works and whose performance affects the performance of the construction works concerning basic requirements. The CPR's main objectives are to facilitate the placing of construction products on the European single market based on harmonized technical standards, ensure their free movement and eliminate technical barriers. Harmonized technical standards are harmonized standards (hEN) and European Assessment Documents (EAD) which regulate the essential performance characteristics to be evaluated and the Assessment and Verification of Constancy of Performance (AVCP). The standardised testing and assessment methods ensure a consistent performance evaluation of construction products.

Under the CPR, any construction product covered by harmonized standards (hEN) must have a CE marking and a Declaration of Performance (DoP) that details the performance of the product. For construction products covered by European Assessment Documents (EAD), the CE marking is voluntary.

Most of our roofing and cladding products fall under the CPR and are covered by EADs. The performance of these products are declared in European Technical Assessments (ETA) issued by an official Technical Assessment Body (TAB), such as the German Institute for Building Technology (DIBt) or the Polish Institute for Building Technology (ITB). The AVCP is ensured through specified Factory Production Control (FPC) and regular audits by a Notified Body (NB) such as the Karlsruhe Institute of Technology (KIT) in Germany.

Overview of European Technical Assessments

ETA-10/0198	Fasteners for metal members and sheeting (stainless steel)	
ETA-11/0191	Self-tapping fasteners for structural connections	
ETA-13/0183	Fasteners for sandwich panels (stainless steel)	
ETA-13/0255	Blind rivets	
ETA-15/0784	Fasteners for use in cracked and uncracked concrete	
ETA-20/0115	Concrete fasteners of fastening sandwich panels	
ETA-21/0784	Fasteners for sandwich panels (carbon steel)	
ETA-22/0605	Fasteners for metal members and sheeting (carbon steel)	
ETA-23/1026	Fasteners for metal members and sheeting (solar)	

For construction products that are subject to the CPR but not covered by harmonized technical standards, national technical approvals may be obtained. In Germany, these approvals are called general building authority approvals (abZ) issued by the

DIBt. An abZ includes the relevant performance characteristics, regulates product marking and confirmation of conformity along with other aspects such as the usability of the product.

Overview of National Technical Approvals

Z-14.4-890	Concrete fasteners for fastening of sandwich panels	
Z-14.4-872	Fasteners of connecting wood panels with steel profiles	

Environmental conditions

The local environmental conditions respectively the corrosiveness of the atmospheric environment must be taken into account when selecting the fastener material. Atmospheric corrosion can be largely prevented by the correct choice of the fastener material.

The international standard ISO 9223 standard divides the corrosiveness of the atmospheric environment into different corrosion categories. The subdivision is made into 6 corrosivity categories from very low to extreme exposure to corrosion. The corrosivity






categories take into account the superimposed environmental factors such as climate zone, air pollution or coastal areas. The fastener material should be suitable for a particular corrosivity category to prevent the occurrence of atmospheric corrosion.

Corrosivity categories according to ISO 9223

Corrosivity category	C1 Very low	C2 Low	C3 Medium	C4 ¹⁾ High	C5 Very high	CX Extreme
Temperate climate zone	(Dry climate)	With low air pollution (rural)	With moderate air pollution (industrial)	With high air pollution (industrial)	–	–
Subtropical climate zone	–	(Dry climate)	With moderate air pollution (urban)	With moderate air pollution (urban)	With high air pollution (industrial)	–
Costal areas	–	–	With slightly salty air	With moderate salty air	With very salty air	(Offshore)




Typical outdoor environmental conditions, interpreted by SFS from ISO 9223.

Fastener material

Stainless steel A4	
Stainless steel A2	
Aluminium BULB-TITE®	
Carbon steel Durocoat®	
Carbon steel galvanised	

Recommendation based on experience of SFS. The final decision must be made by the customer. SFS accepts no responsibility.

Legend

	Suitable fastener material, expected working life for typical applications at least 25 years ²⁾
	Suitable fastener material in specific circumstances, professional expertise is required
	Unsuitable fastener material

¹⁾ For swimming pool hall atmospheres, special fastener material is required.

²⁾ This value is based on an average working life for typical applications and complies with the specifications in our ETAs.

Contact corrosion

Contact corrosion can occur wherever two metals come into contact with each other in the presence of oxygen and water or moisture. The correct choice of the fastener material largely prevents the occurrence of contact corrosion.


The occurrence of contact corrosion depends on the electrochemical potential difference and the surface ratio of the metals. The less noble metal is preferentially affected by contact corrosion. Stainless steel and aluminum are noble metals, while carbon steel is a less noble metal. Stainless steel and aluminum form protective oxide layers on their surface and behave therefore more noble than the electrochemical series indicates.

The surface ratio of the metals essentially determines the strength of the corrosion. As long as the surface of the more noble metal is small in relation to the less noble metal, no significant corrosion is expected. A fastener is generally seen as small surface compared to the construction component that's why the fastener material should always be more noble or equal compared to the material of the construction component.

Construction component material


Typical materials	Carbon steel	Aluminium	Stainless steel
-------------------	--------------	-----------	-----------------

Fastener material

Stainless steel	
Aluminium BULB-TITE®	 
Carbon steel	 




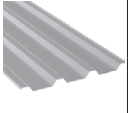
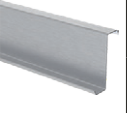
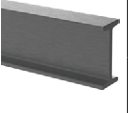


Recommendation based on experience of SFS. The final decision must be made by the customer. SFS accepts no responsibility.

Legend

	Suitable fastener material
	Unsuitable fastener material

Product overview

Roofing and Cladding




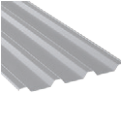
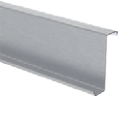
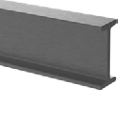

Product	Page	Self-drilling			Self-tapping	Substructure				
		Drill point	FastTip®			Sheet	Profile	Beam	Timber	Concrete
										

Stainless steel fasteners

CX-6.0-A2	44		•		•				
CXCW-6.5-A2	46		•					•	
CXLW-4.8-A2/A4	50		•		•			•	
MMS-plus-A4	52			•					•
MX-7.5-A4	56			•					•
MXC-7.5-A4	58			•					•
SCFW-S-6.5-A2	62	•						•	
SD1-D7-4.8-A2	64	•			•				
SDL1-4.8-A2	66	•			•				
SLG-S-6.5-A2	68		•		•				
SX2-D7-4.8-A2	70	•			•				
SX3-6.0-A2/A4	72	•			•	•			
SX5-5.5-A2/A4	74	•				•			
SX5-6.3-A4	76	•				•		•	
SX14-5.5-A2/A4	78	•					•		
SX16-5.8-A4	80	•					•		
SXC5-6.3-A2/A4	82	•				•		•	
SXC16-5.8-A2/A4	86	•					•		
SXD3-5.5-A2	90	•			•				
SXK2-6.0-A2	92	•			•			•	
SXK3-6.0-A2	94	•				•			
SXL2-6.3-A2/A4	96	•			•				
SXL3-6.0-A2/A4	98	•			•				
SXW-6.5-A2	100	•						•	
TDA-S-6.5-A2	102			•		•		•	
TDB-S-6.3-A2/A4	106			•		•	•		
TDC-S-7.1-A2	110			•		•			

Product overview

Roofing and Cladding

Product	Page	Self-drilling		Self-tapping	Substructure				
		Drill point	FastTip®		Sheet	Profile	Beam	Timber	Concrete
									

Carbon steel fasteners

CDL-4.8	114		•		•				
CDM-4.8	116		•		•				
CDCW-6.5	118		•					•	
MDC-7.5	122			•					•
MMS-plus	126			•					•
SCF3-6.3	130	•				•			
SCF12-6.3	132	•					•		
SCFW-6.5	134	•						•	
SD3-5.5	136	•			•	•			
SD6-5.5	138	•				•			
SD6-H15-E11-5.5	140	•				•			
SD14-5.5	142	•					•		
SD14-H15-E11-5.5	144	•					•		
SD20-5.5	146	•					•		
SD20-H15-E11-5.5	148	•					•		
SDC5-6.3	150	•				•		•	
SDC14-5.5	154	•					•		
SDP3-D10-TC19-5.5	158	•				•			
SDP14-D10-TC19-5.5	160	•					•		
SDRT2-5.5	162	•			•				
SDTW-6.5	164	•						•	
SL2-4.8	166	•			•				
SL2-T-4.8	168	•			•				
SL2-H15-6.3	170	•			•				
SL3-H15-6.3	172	•			•				
SW-T-4.8	174	•						•	
SW3-T-6.5	176	•						•	
SW3-H15-6.5	178	•						•	

Rivets

BULB-TITE®	180				•				
------------	-----	--	--	--	---	--	--	--	--

Product overview

Roofing and Cladding

Product	Page
Tools and Accessories	
Bits and sockets	184
SOK-IT®-Torque socket	186
ErgoDek® – Setting tool	188
HSS drill bits	192
SDS drill bits	194
Flashing Combo	196
Sealing tape LDL	200
Sealing tape LS	202
Sealing tape PE	204
Decoupling tape EB	206
Butyl tape BB	208

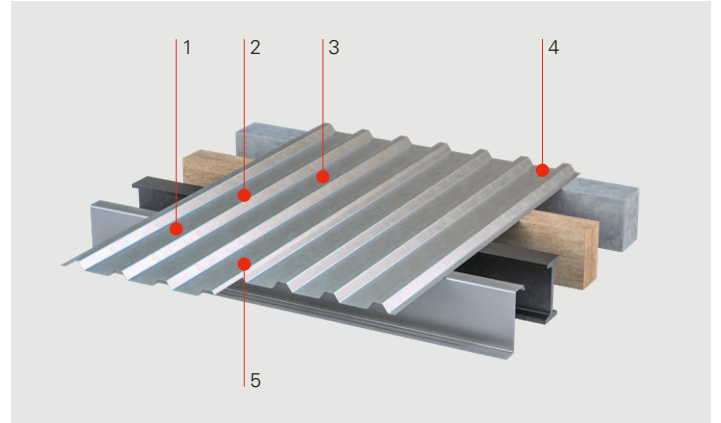
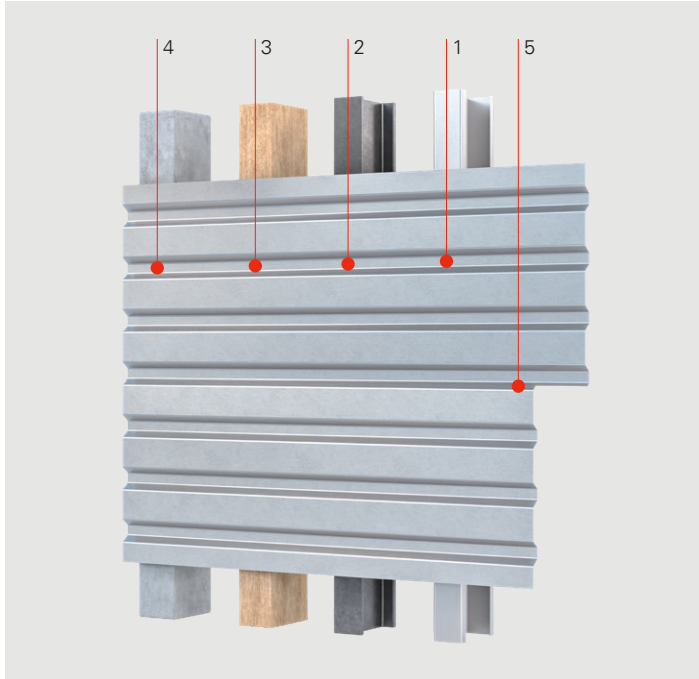
Product overview

Structural Connections

Product	Page
Fasteners	
nonut® TDBL 8.6	212
nonut® TDBL 10.6	214
nonut® TDBL 13.4	216
SC5-5.5	218
SC6-6.3	220
SDL3-F-4.2	222
SDL4-F-4.8	224
Tools and Accessories	
CF250, CF250-PL-Setting tools	226
Sockets	228

Single-skin roof and wall

Profile sheet



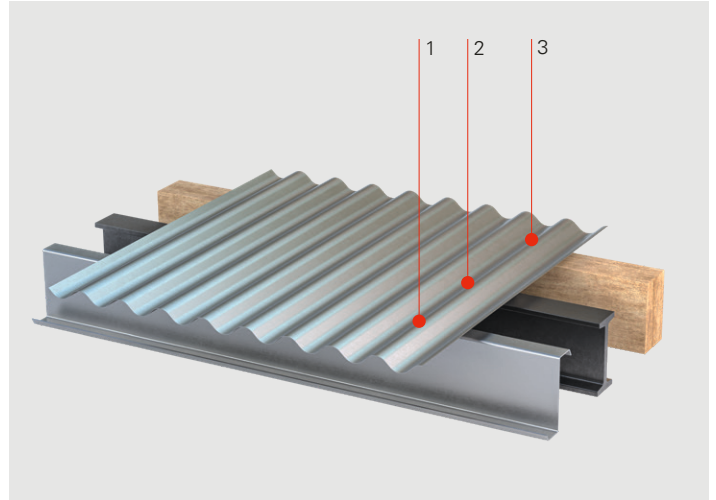
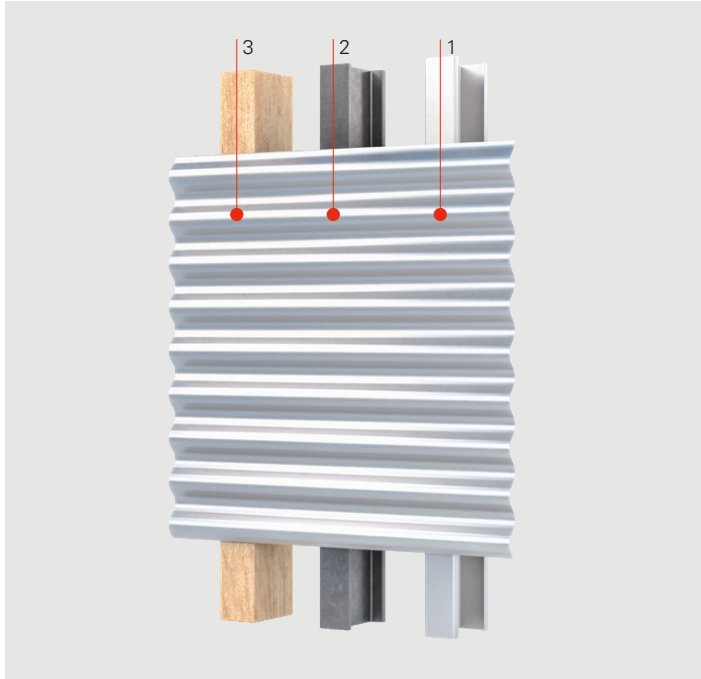
Fixing point

1	Profile sheet to metal profile
2	Profile sheet to steel beam
3	Profile sheet to timber
4	Profile sheet to concret
5	Overlap of profile sheet

Product	Page	Self-drilling		Self-tapping	1	2	3	4	5
		Drill point	FastTip®						
Stainless steel fasteners									
CXLW-4.8-A2/A4	50		•				•		•
SDL1-4.8-A2	66	•							•
SX3-6.0-A2/A4	72	•			•				
SX5-5.5-A2/A4	74	•			•				
SX14-5.5-A2/A4	78	•				•			
SXL2-6.3-A2/A4	96	•							•
SXW-6.5-A2	100	•					•		
TDA-S-6.5-A2	102			•	•		•		
TDB-S-6.3-A2/A4	106			•	•	•			
TDC-S-7.1-A2	110			•	•				
Carbon steel fasteners									
CDL-4.8	114		•						•
SD3-5.5	136	•			•				
SD6-5.5	138	•			•				
SD14-5.5	142	•				•			
SD20-5.5	146	•				•			
SL2-T-4.8	168	•							•
SW-T-4.8	174	•					•		
SW3-T-6.5	176	•					•		

Single-skin roof and wall

Fibre cement board



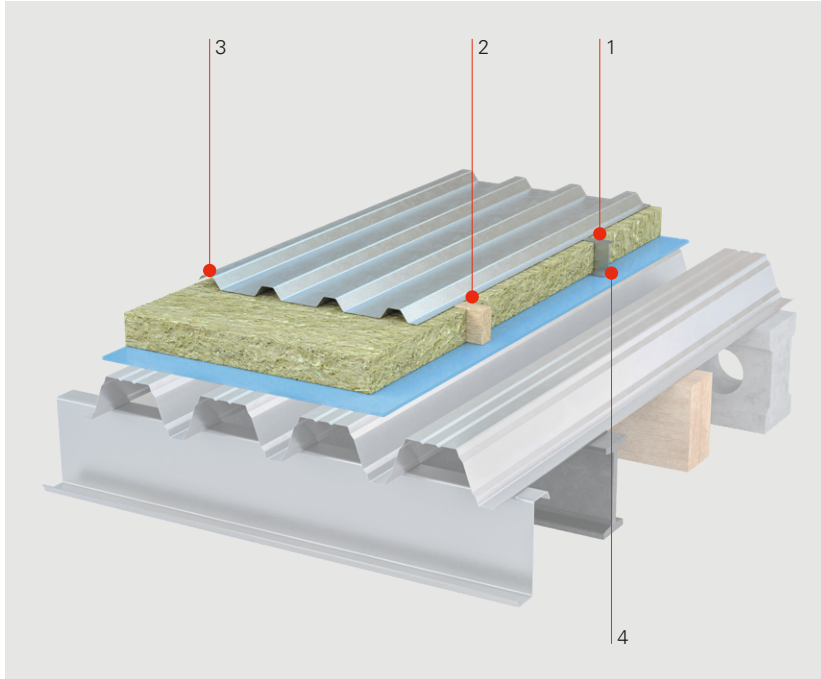
Fixing point

1	Fibre cement board to metal profile
2	Fibre cement board to steel beam
3	Fibre cement board to timber

Product	Page	Self-drilling		Self-tapping	1	2	3
		Drill point	FastTip®				
Stainless steel fasteners							
SCFW-S-6.5-A2	62	•					•
Carbon steel fasteners							
SCF3-6.3	130	•			•		
SCF12-6.3	132	•				•	
SCFW-6.5	134	•					•

Twin-skin roof

Traditional build-up



Fixing point

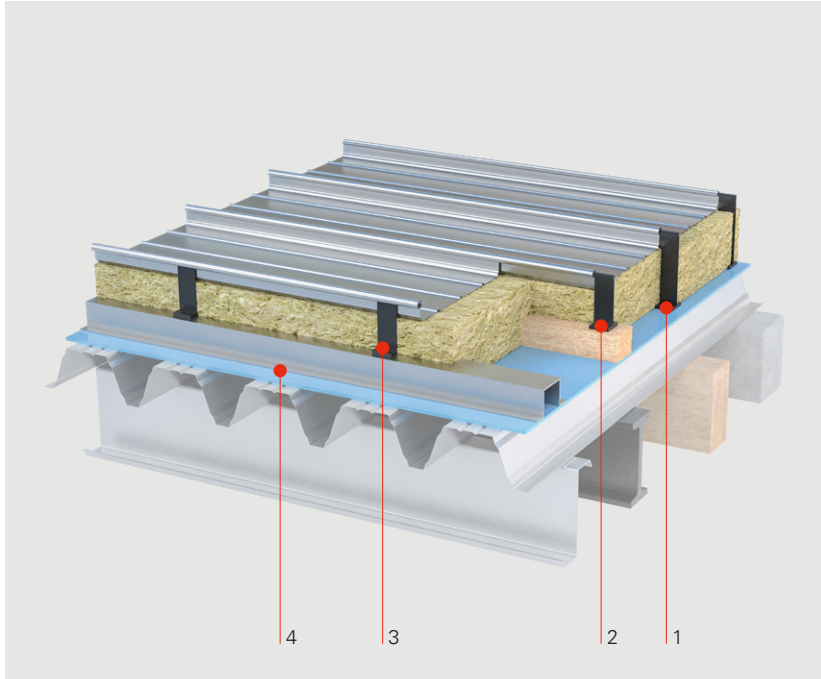
1	Profile sheet to metal profile
2	Profile sheet to timber
3	Overlap of profile sheet
4	Metal profile to metal deck

Fastening of metal deck refer to page "Interior cladding"

Product	Page	Self-drilling		Self-tapping	1	2	3	4
		Drill point	FastTip®					
Stainless steel fasteners								
CXLW-4.8-A2/A4	50		•			•	•	
SDL1-4.8-A2	66	•					•	
SLG-S-6.5-A2	68		•					•
SX3-6.0-A2/A4	72	•			•			
SX5-5.5-A2/A4	74	•			•			
SXL2-6.3-A2/A4	96	•					•	
SXL3-6.0-A2/A4	98	•						•
SXW-6.5-A2	100	•				•		
TDA-S-6.5-A2	102	•			•	•		
TDB-S-6.3-A2/A4	106			•	•			
TDC-S-7.1-A2	110			•	•			
Carbon steel fasteners								
CDL-4.8	114		•				•	
SD3-5.5	136	•			•			
SD6-5.5	138	•			•			
SL2-T-4.8	168	•					•	
SL3-H15-6.3	170	•						•
SW-T-4.8	174	•				•		
SW3-T-6.5	176	•				•		
Rivets								
BULB-TITE®	180							•

Twin-skin roof

Standing seam



Fixing point

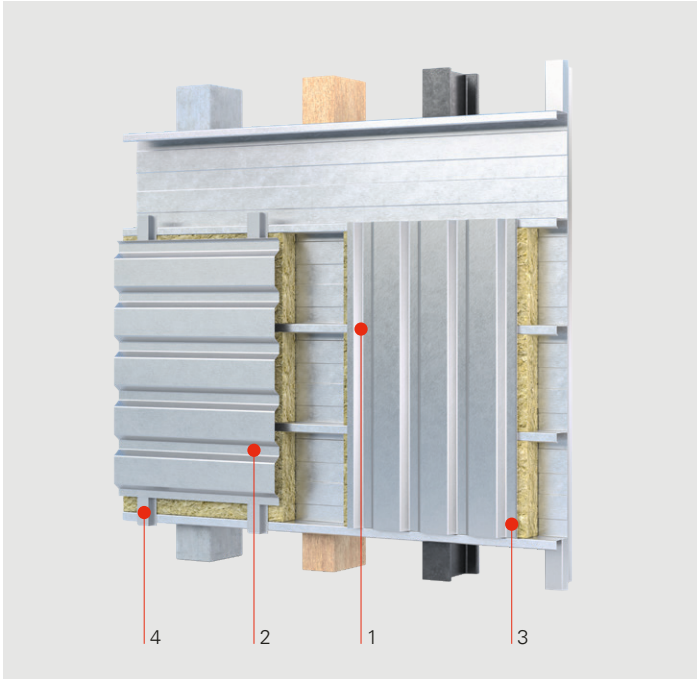
1	Clip to metal deck
2	Clip to metal timber
3	Clip to metal profile
4	Metal profile to metal deck

Fastening of metal deck refer to page "Interior cladding"

Product	Page	Self-drilling		Self-tapping	1	2	3	4
		Drill point	FastTip®					
Stainless steel fasteners								
SLG-S-6.5-A2	68		•					•
SX3-6.0-A2/A4	72	•			•		•	
SXL3-6.0-A2/A4	98	•						•
SXK2-6.0-A2	92	•			•	•		
SXK3-6.0-A2	94	•					•	
Carbon steel fasteners								
SL3-H15-6.3	172	•						•
Rivets								
BULB-TITE®	180						•	•

Twin-skin wall

Liner tray



Fixing point

1	Profile sheet to liner tray
2	Profile sheet to metal profile
3	Overlap of profile sheet
4	Metal profile to liner tray

Fastening of liner tray to substructure refer to page "Interior cladding"

Product	Page	Self-drilling		Self-tapping	1	2	3	4
		Drill point	FastTip®					

Stainless steel fasteners

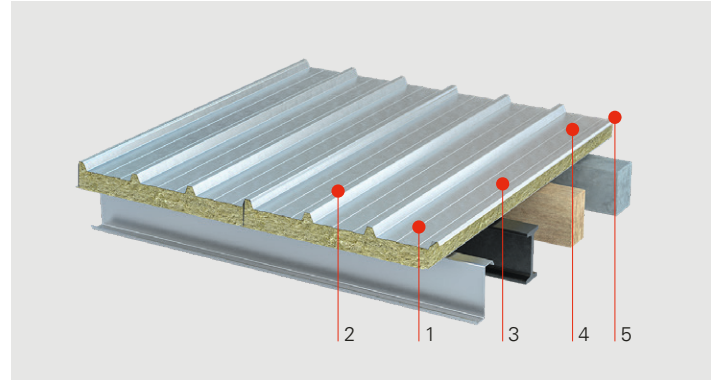
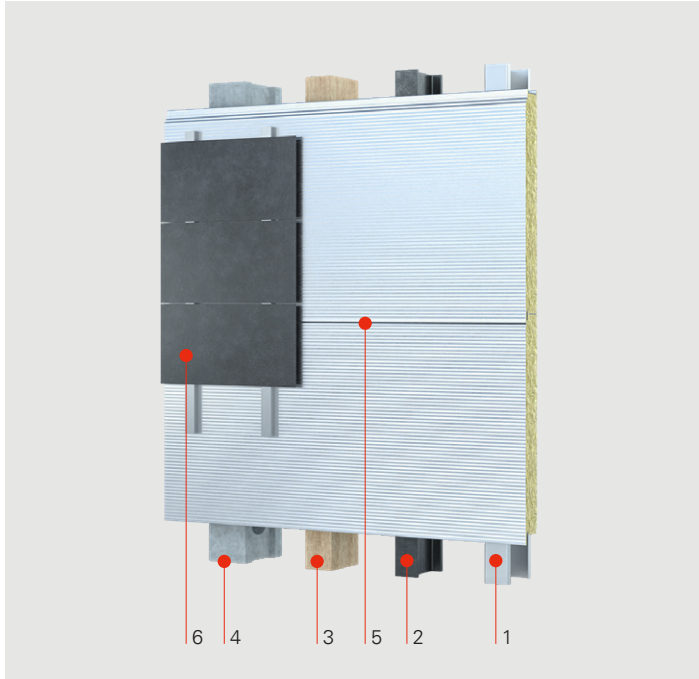
CXLW-4.8-A2/A4	46		•				•	
SDL1-4.8-A2	66	•					•	
SLG-S-6.5-A2	68		•					•
SX3-6.0-A2/A4	72	•			•			
SX5-5.5-A2/A4	74	•				•		
SXD3-5.5-A2	90	•			•			
SXL2-6.3-A2/A4	96	•					•	
TDA-S-6.5-A2	102			•	•	•		
TDB-S-6.3-A2/A4	106			•		•		
TDC-S-7.1-A2	110			•	•	•		

Carbon steel fasteners

CDL-4.8	114		•				•	
SD3-5.5	136	•			•			
SD6-5.5	138	•			•			
SDRT2-5.5	162	•			•			
SL2-T-4.8	168	•					•	
SL3-H15-6.3	172	•						•

Roof and wall

Sandwich panel



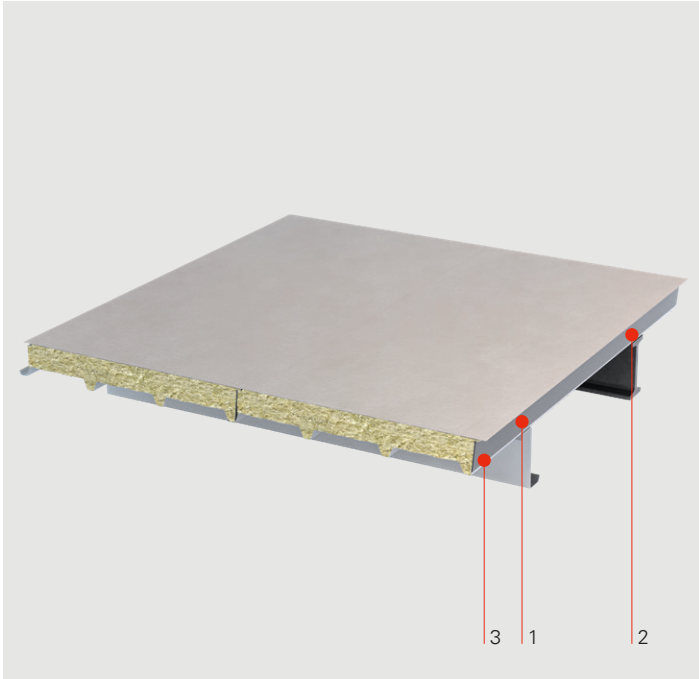
Fixing point

1	Sandwich panel to metal profile
2	Sandwich panel to steel beam
3	Sandwich panel to timber
4	Sandwich panel to concrete
5	Overlap of sandwich panel
6	Carrier profile to sandwich panel

Product	Page	Self-drilling		Self-tapping	1	2	3	4	5	6
		Drill point	FastTip®							
Stainless steel fasteners										
CXCW-6.5-A2	46		•				•			
CXLW-4.8-A2/A4	50		•						•	
MX-7.5-A4	56			•				•		
MXC-7.5-A4	58			•				•		
SDL1-4.8-A2	66	•							•	
SLG-S-6.5-A2	68		•							•
SX5-6.3-A4	76	•			•		•			
SXL2-6.3-A2/A4	96	•							•	
SX16-5.8-A4	80	•				•				
SXC5-6.3-A2/A4	82	•			•		•			
SXC16-5.8-A2/A4	86	•			•					
TDA-S-6.5-A2	102			•	•		•			
TDB-S-6.3-A2/A4	106			•	•	•				
Carbon steel fasteners										
CDL-4.8	114		•						•	
CDCW-6.5	118		•				•			
MDC-7.5	122			•				•		
SDC5-6.3	150	•			•		•			
SDC14-5.5	154	•				•				
SL2-T-4.8	168	•							•	
SDTW-6.5	164	•					•			

Roof

Single-ply panel

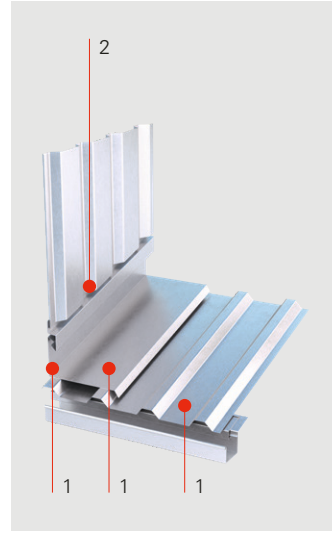
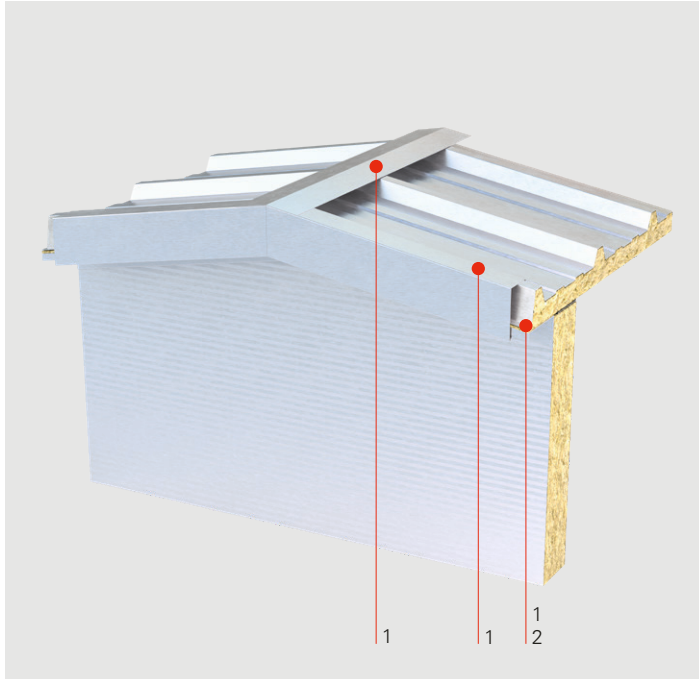


Fixing point

1	Single-ply panel to metal profile
2	Single-ply panel to steel beam
3	Overlap of single-ply panel

Product	Page	Self-drilling		Self-tapping	1	2	3
		Drill point	FastTip®				
Carbon steel fasteners							
SDP3-D10-TC19-5.5	158	•			•		•
SDP14-D10-TC19-5.5	160	•				•	

Roof and wall Flashings

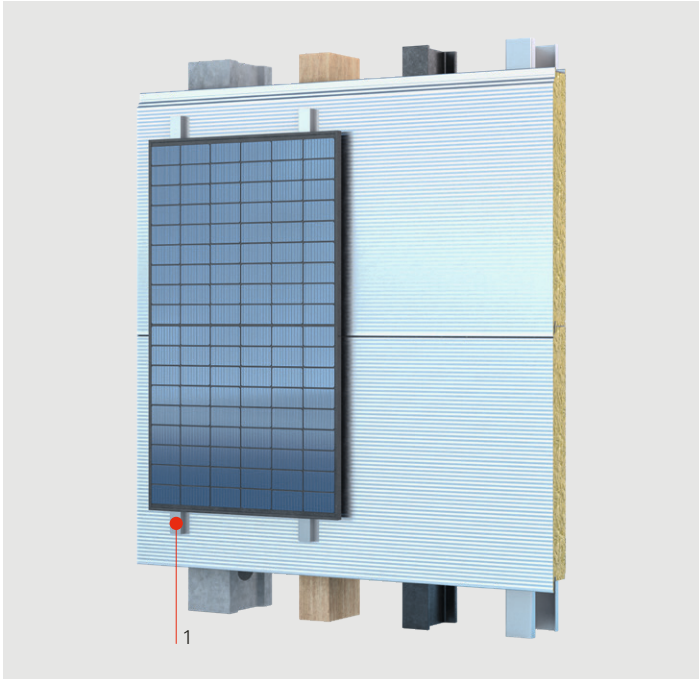


Fixing point

1	Flashings to profile sheet or sandwich panel on the roof
2	Flashings to profile sheet or sandwich panel at the wall

Product	Page	Self-drilling		Self-tapping	1	2
		Drill point	FastTip®			
Stainless steel fasteners						
CXLW-4.8-A2/A4	50		•		•	•
CXLW-D10-4.8-A2/A4			•			•
SDL1-4.8-A2	66	•			•	•
SDL1-D10-4.8-A2			•			•
SD1-D7-4.8-A2	64	•				•
SX2-D7-4.8-A2	70	•				•
SXL2-6.3-A2/A4	96	•			•	•
Carbon steel fasteners						
CDL-4.8	114		•		•	•
SL2-T-4.8	168	•			•	•
Rivets						
BULB-TITE®	180					•

Roof and wall Solar



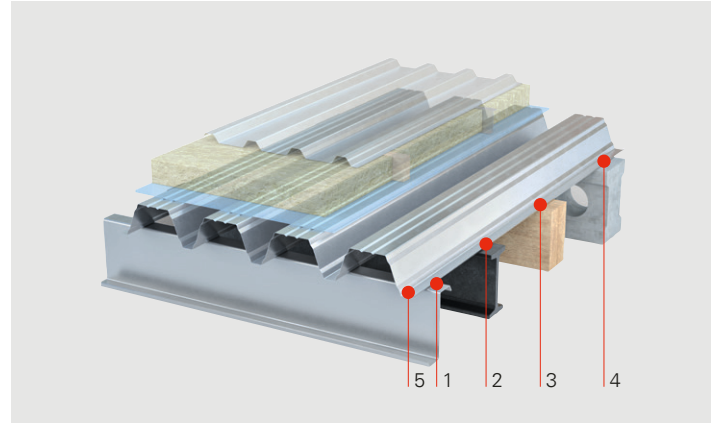
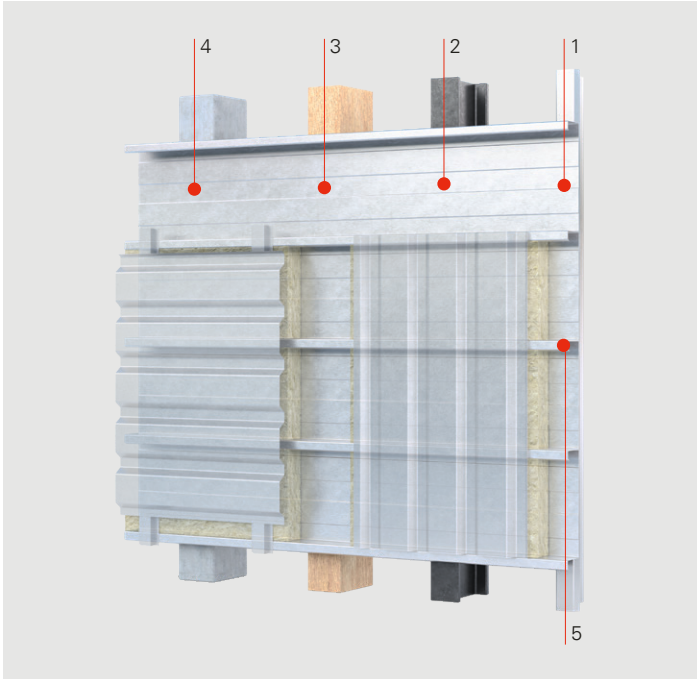
Fixing point

1	Carrier profile to profile sheet or sandwich panel at the wall
2	Carrier profile to profile sheet or sandwich panel on the roof

Product	Page	Self-drilling		Self-tapping	1	2
		Drill point	FastTip®			
Stainless steel fasteners						
CX-6.0-A2	44		•		•	•
SLG-S-6.5-A2	68		•		•	•
Rivets						
BULB-TITE®	180				•	•

Roof and wall

Interior cladding



Fixing point

1	Metal deck/liner tray to metal profile
2	Metal deck/liner tray to steel beam
3	Metal deck/liner tray to timber
4	Metal deck/liner tray to concrete
5	Overlap of metal deck/liner tray

Product	Page	Self-drilling		Self-tapping	1	2	3	4	5
		Drill point	FastTip®						
Stainless steel fasteners									
MMS-plus-A4	52			•				•	
Carbon steel fasteners									
CDM-4.8	116		•						•
MMS-plus	126			•				•	
SD6-H15-E11-5.5	140	•			•				
SD14-H15-E11-5.5	144	•				•			
SD20-H15-E11-5.5	148	•				•			
SL2-4.8	166	•							•
SL2-H15-6.3	170	•							•
SL3-H15-6.3	172	•			•				•
SW3-H15-6.5	178	•					•		

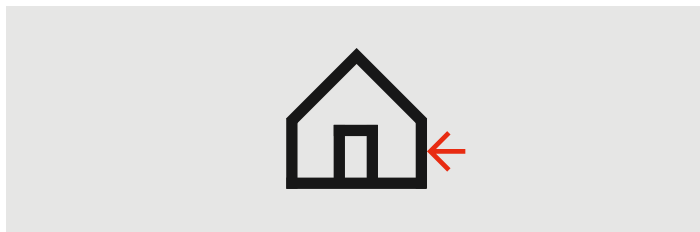
Sealing washers

Sealing washers consisting of seal and metal washer basically fulfill two tasks: Sealing of the connection and absorption respectively distribution of occurring loads. The seal of our sealing washers are made of weather-resistant EPDM elastomer and guarantees a durable sealing.

Ethylen-Propylen-Dien-Monomer (EPDM) is a high-quality elastomer with high elasticity, high weather resistance and long durability. The seal has a soft hardness of 60-70 Shore A and is adapted to the fastener, thus ensuring a perfect sealing to the construction component.

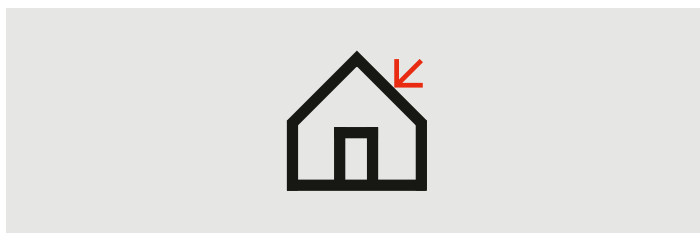
The metal washers are made of different materials, usually adapted to the material of the fastener. The thickness is 1 mm and offers a high stability for good load-bearing capacity. In addition, this ensures a correct installation of the sealing washer without inversion of the metal washer.

Washer size recommendation



Wall application

- Ø ≥ 16 mm: Fastening of profile sheets and sandwich panels
- Ø ≥ 14 mm: Fastening of overlaps and flashings



Roof application

- Ø ≥ 19 mm: Fastening of profile sheets and sandwich panels
- Ø ≥ 14 mm: Fastening of overlaps and flashings

For special applications, the washer size has to be selected accordingly (e.g. 29 mm for fastening of rooflights).

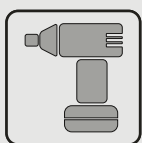




Installation instructions

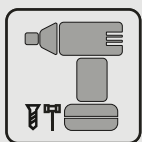
The compliance with certain installation conditions is a prerequisite for ensuring a smooth and correct installation of a fastener.

Installation tools



Screwdriver

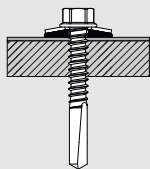
Fastening onto substructure components made of metal or timber requires a suitable screwdriver with speed 1'200–2'000 rpm and torque ≥ 10 Nm. Recommended is a cordless screwdriver with torque adjustment, ergonomic in-line grip, torque clutch, quick-release chuck HEX $\frac{1}{4}$ " and with optional available depth stop adapter.



Impact driver

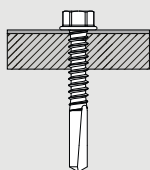
Fastening onto substructure components made of concrete requires a suitable impact driver with speed 1'200–2'000 rpm and torque ≥ 200 Nm. The required torque is depending on fastener diameter and length. Recommended is a cordless impact driver with torque adjustment and quick-release chuck HEX $\frac{1}{4}$ ".

Tightening torque



Fasteners with sealing washer

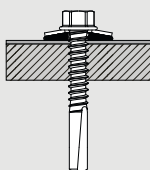
Fasteners with sealing washers require appropriate tightening torque to ensure a correct installation of the sealing washer. A too less tightening can lead to leaks, while a too strong tightening can lead to inversion of the metal washer and has a negative impact on the elasticity property of the seal. The use of a depth stop adapter is therefore recommended for a repeatable correct installation.



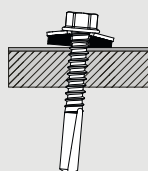
Fasteners without sealing washer

For fasteners without sealing washers, particular care must be taken to ensure that the fastener is not tightened too strong. A too strong tightening can lead to overwinding of the fastener thread, pre-damaging of the fastener material or fastener breakage. The use of our socket SOK-IT® with torque limitation is highly recommended for repeatable correct installations (see Tools and Accessories).

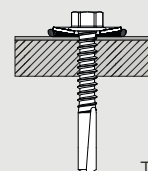
Exception: Fasteners with free-spin zone do not require torque control.



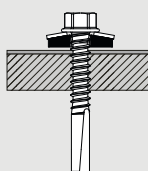
Correct



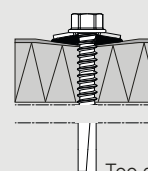
Inclined



Too strong

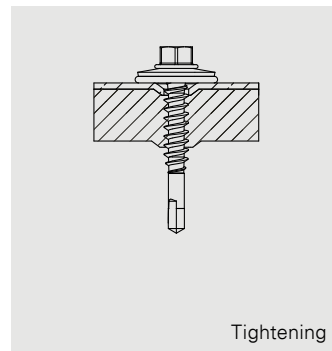
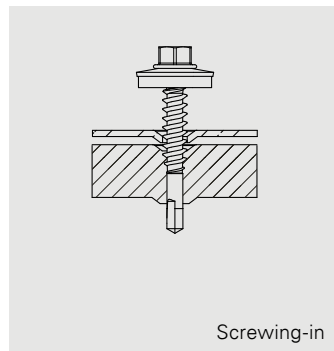
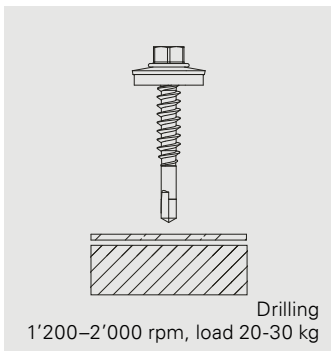


Too less

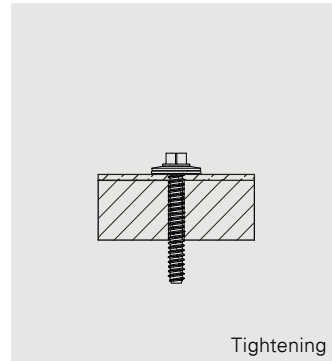
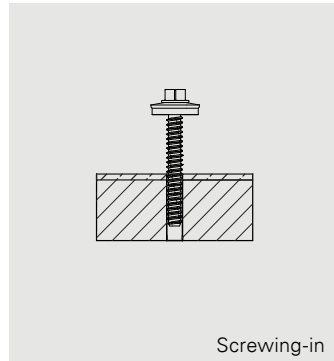
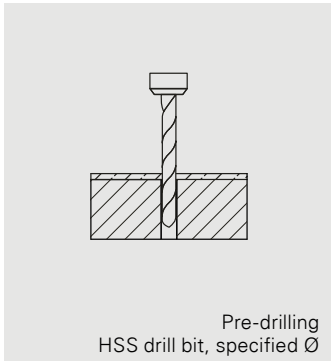


Too deep/dent

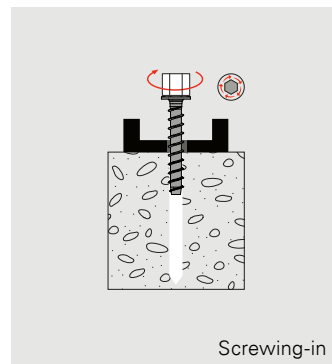
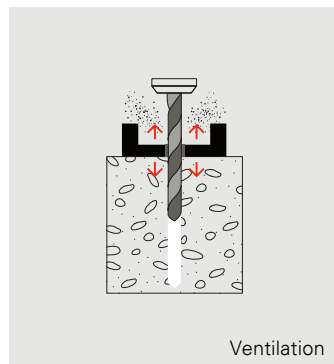
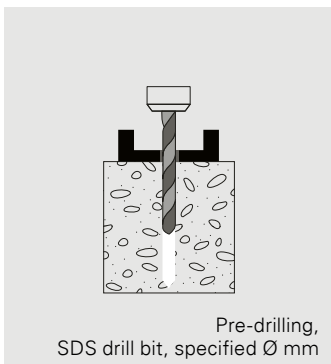
Installation of self-drilling fasteners



Installation of self-tapping fasteners



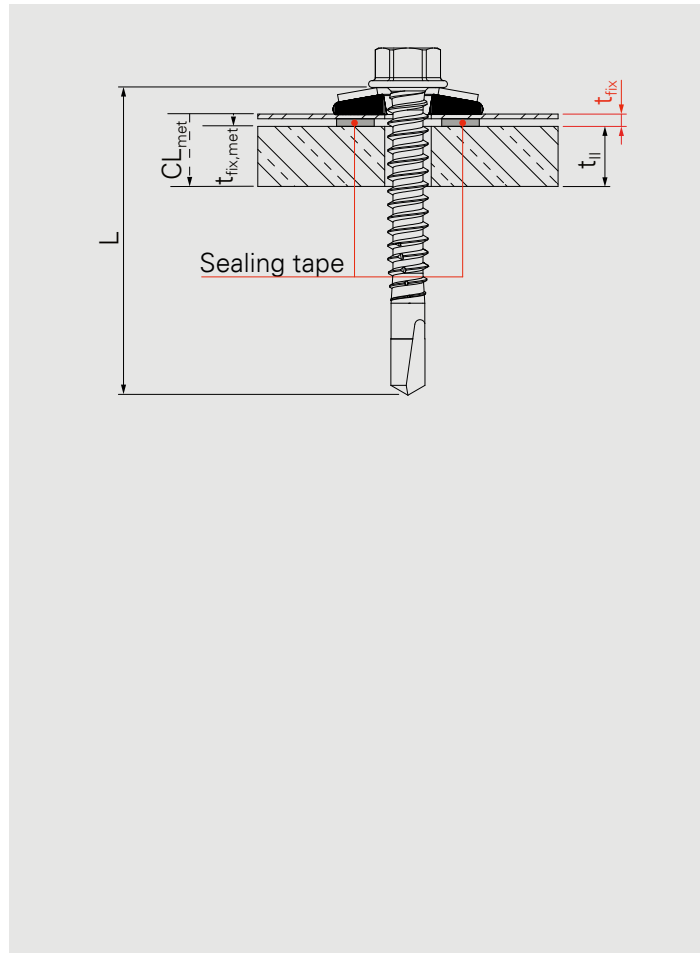
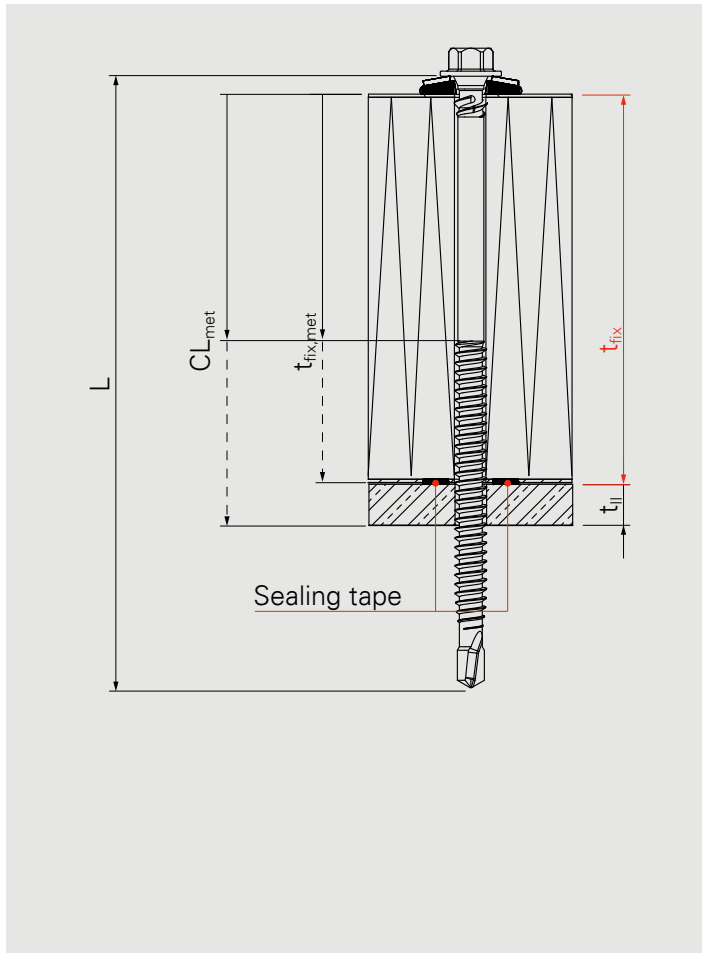
Installation of concrete fasteners



Fastening onto metal

Clamping range CL_{met}

Fixing thickness $t_{fix,met}$



Fastener selection

The following conditions have to be met:

$t_{fix} > \min. CL_{met}$ and $t_{fix} + t_{II} < \max. CL_{met}$

Alternative methode if in addition $t_{fix,met}$ is indicated:

The following condition has to be met:

t_{fix} within $t_{fix,met}$

Abbreviations

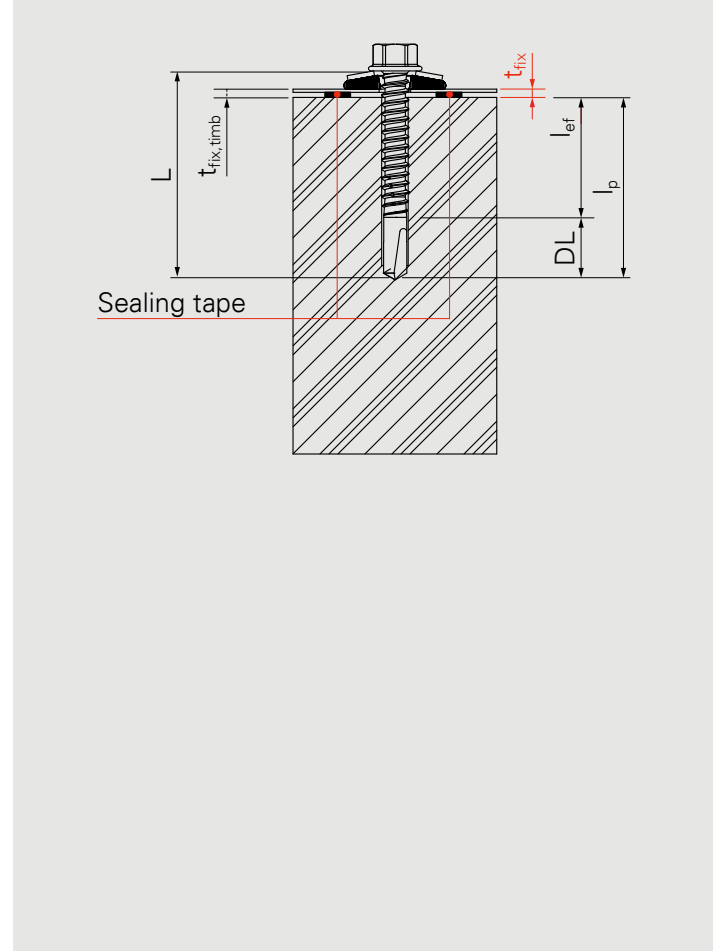
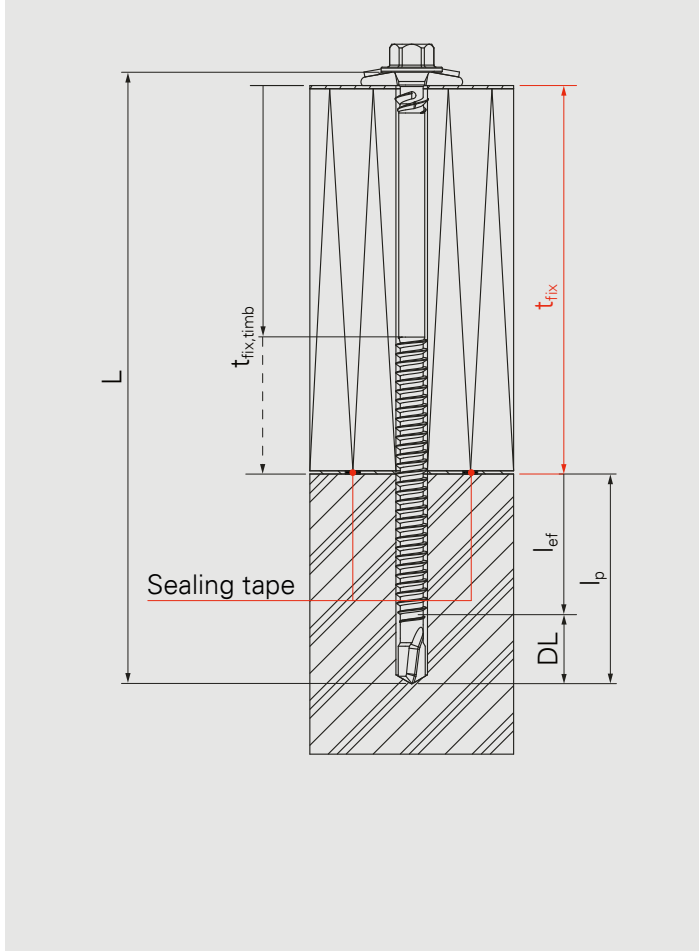
t_{fix}	Total thickness to be fastened (incl. sealing tape, saddle washer, load distribution plate, ...)
t_I	Thickness of component I
t_{II}	Thickness of component II
CL_{met}	Clamping range of the fastener in which component II has to be located
$t_{fix,met}$	Total thicknesses that can be fixed onto metal by the fastener
L	Length of the fastener

Notes

- $t_{fix,met}$ is given by the minimum required and maximum possible screw-in depth of the fastener
- CL_{met} is given by the maximum load-bearing length and maximum possible screw-in depth of the fastener
- For $t_{II} \leq 6$ mm, the entire component has to be penetrated by the load-bearing length of the fastener (see EN 1090-4)
- For $t_{II} > 6$ mm, at least 6 mm of the load-bearing length of the fastener has to be located in component II (see EN 1090-4), in this case, the load-bearing length located in component II can be equated to t_{II} with regards of the length selection of the fastener
- Component tolerances have to be taken into account

Fastening onto timber

Fixing thickness $t_{\text{fix,timb}}$



Fastener selection

The following condition has to be met:

t_{fix} within $t_{\text{fix,timb}}$

Abbreviations

t_{fix}	Total thickness to be fastened (incl. sealing tape, saddle washer, load distribution plate, ...)
t_i	Thickness of component i
l_p	Screw-in depth in timber
l_{ef}	Screw-in depth in timber without drill point
$t_{\text{fix,timb}}$	Total thicknesses that can be fixed onto timber by the fastener
DL	Length of the drill point
L	Length of the fastener

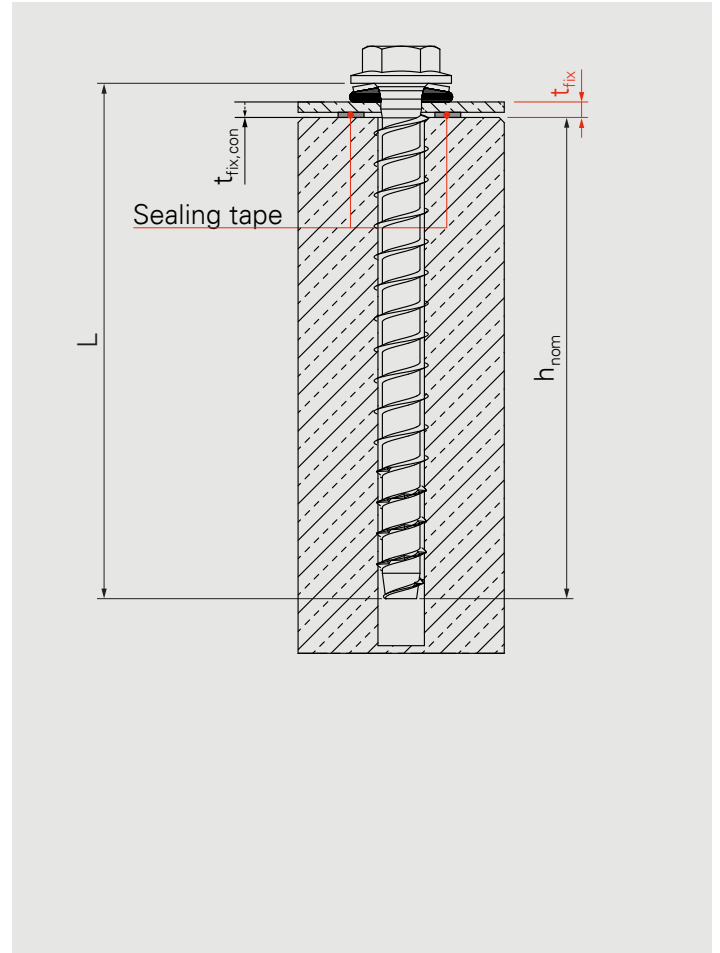
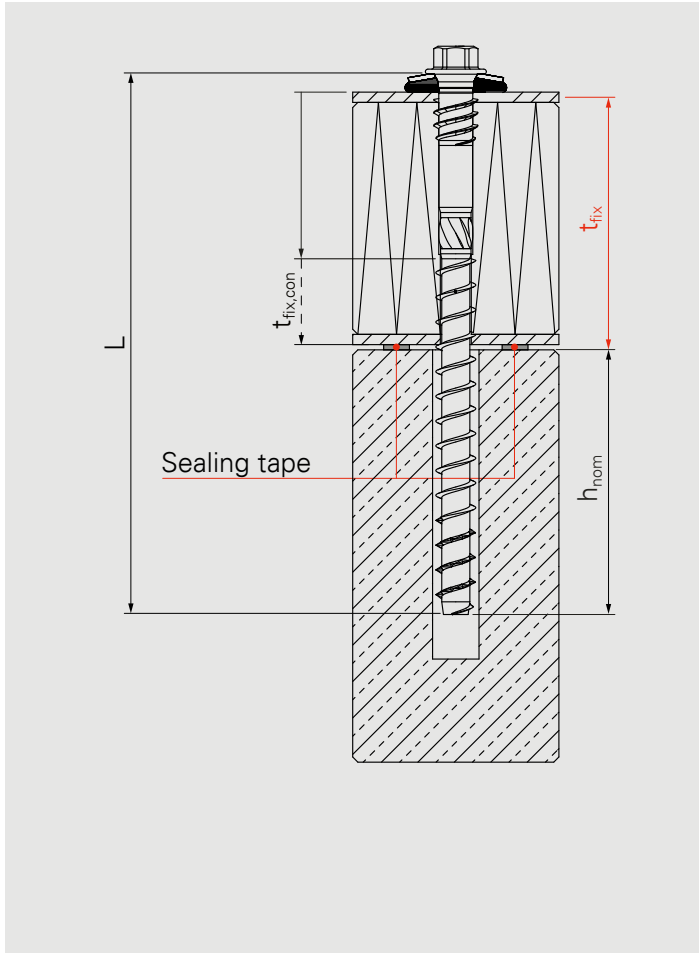
Notes

- $t_{\text{fix,timb}}$ is given by the minimum required and maximum provided screw-in depth of the fastener
- The screw-in depth can be calculated as follows: $l_p = L - 3^{1)} - t_{\text{fix}}$ resp. $l_{\text{ef}} = L - 3^{1)} - t_{\text{fix}} - DL$
- For higher requirements on minimum embedment depth the suitable fastener length can be determined as follows: $L \geq 3^{1)} + t_{\text{fix}} + l_p$ resp. $L \geq 3^{1)} + t_{\text{fix}} + l_{\text{ef}} + DL$
- Component tolerances have to be taken into account

¹⁾ Approximate thickness of the sealing washer, to be considered only if the fastener has a sealing washer

Fastening onto concrete

Fixing thickness $t_{\text{fix,con}}$



Fastener selection

The following condition has to be met:

t_{fix} within $t_{\text{fix,con}}$

Abbreviations

t_{fix}	Total thickness to be fastened (incl. sealing tape, saddle washer, load distribution plate, ...)
t_i	Thickness of component I
h_{nom}	Embedment depth in concrete
$t_{\text{fix,con}}$	Total thicknesses that can be fixed onto concrete by the fastener
L	Length of the fastener

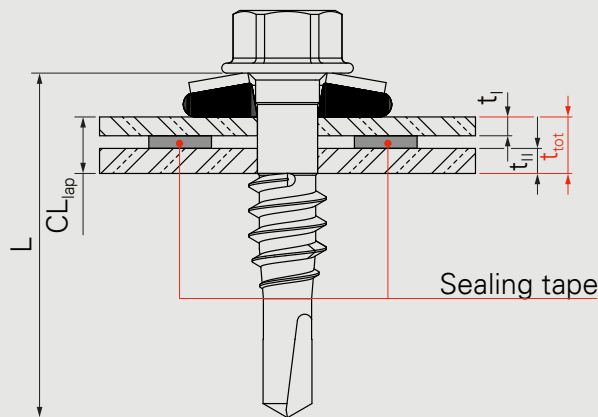
Notes

- $t_{\text{fix,con}}$ is given by the minimum required and maximum possible embedment depth of the fastener
- $t_{\text{fix,con}}$ indicates partly more than one range what results from more than one specified minimum embedment depth (e.g. $t_{\text{fix,con}} = 20-40/60$ means 20–40 in case of higher embedment depth resp. 20–60 in case of lower embedment depth)
- The embedment depth can be calculated as follows: $h_{\text{nom}} = L - 3^{1)} - t_{\text{fix}}$
- For higher requirements on minimum embedment depth the suitable fastener length can be determined as follows:
 $L \geq 3^{1)} + t_{\text{fix}} + h_{\text{nom}}$
- Component tolerances have to be taken into account

¹⁾ Approximate thickness of the sealing washer, to be considered only if the fastener has a sealing washer

Clamp fastening

Clamping range CL_{lap}



Fastener selection

The following condition has to be met:

t_{tot} within CL_{lap}

Abbreviations

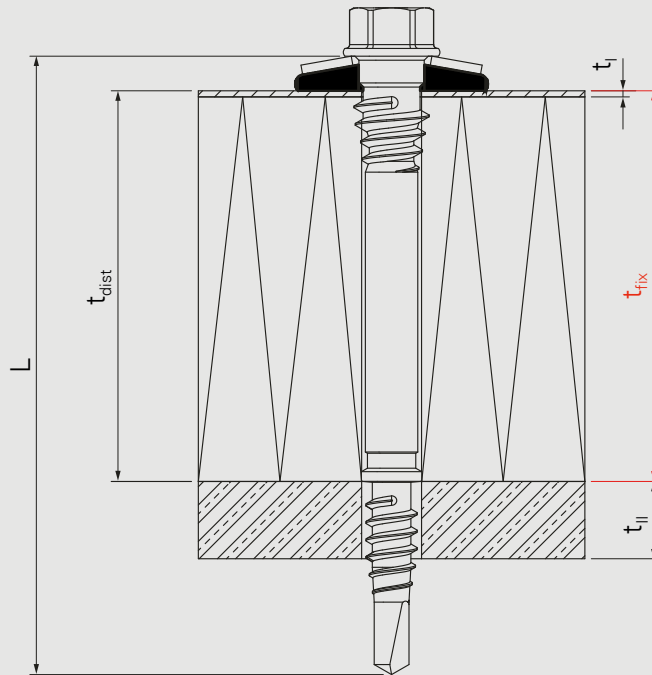
t_{tot}	Total clamping thickness (incl. sealing tape)
t_I	Thickness of component I
t_{II}	Thickness of component II
CL_{lap}	Clamping range of the fastener
L	Length of the fastener

Notes

- CL_{lap} is given by the free-spin zone of the fastener
- Component tolerances have to be taken into account

Distance fastening

Installation distance t_{dist}



Fastener selection

The following condition has to be met:

$$t_{\text{fix}} = t_{\text{dist}}$$

Abbreviations

t_{fix}	Installation distance
t_i	Thickness of component I
t_{II}	Thickness of component II
t_{dist}	Installation distance given by the fastener
L	Length of the fastener

Notes

- t_{dist} is given by the distance element of the fastener
- Component tolerances have to be taken into account



Product codes

SXC5-L12-S19-6.3x140-A4-...



1 Type	Special features	Material	Code
Self-drilling fastener	Drill point	Stainless steel (Bimet)	SX ¹⁾
		Carbon steel/full stainless steel	SD ²⁾
	Fast Tip®	Bimet	CX
		Carbon steel/full stainless steel	CD
Self-tapping fastener	-	Full stainless steel	TD...S
Concrete fastener		Carbon steel	TD...T
		Stainless steel (Bimet)	MX
		Carbon steel	MD

¹⁾Partly old code in use (S...-S)

²⁾Partly old code in use(S....T)

2 Design	Special features	Main thread	Code
Self-drilling fastener	-	Metal	-
		Timber	W
	Support thread	Metal	C
		Timber	CW ¹⁾
	Free-spin zone	Metal	M
	Free-spin zone, cut-off thread-end		L
	Shank wings	Metal/timber	LW
		Metal	CF
	Shank collar, support thread	Metal	D
			Shank knurl, support thread
	Head cone	Metal/timber	K
			Head knurl
Self-tapping fastener	-	Metal/timber	B
	Thread tip		C
Concrete fastener	-	Concrete	A
	Support thread		-
			C

¹⁾Partly old code in use (TW)

3 Drilling capacity (optional)	Code
Drilling capacity into steel	mm

4 Head	Code
Hexagon head	-
Hexagon head with flange, Ø 15 mm	H15
Irius® head, Ø 12 mm	L12
Pan head	D mm

SXC5-L12-S19-6.3x140-A4-...



5 Washer (optional)	Special features	Code
Damping ring	EPDM, Ø 11 mm	E11
Sealing washer	Stainless steel A2, EPDM-seal	S mm
	Stainless steel A4, EPDM-seal	S mm/A4
	Carbon steel galvanized, EPDM-seal	T mm
	Aluminium, EPDM-seal	A mm
Curved sealing washer		AV mm
Cutting disc	Stainless steel A2, Ø 19 mm	SC19
	Carbon steel galvanized, Ø 19 mm	TC19
Curved disc	Stainless steel A2, Ø 16 mm	SV16
	Stainless steel A4, Ø 16 mm	SV16/A4
Sealing element	Stainless steel A2, Ø 25 mm, EPDM-seal	BAZ

6 Dimension	Code
Diameter x Length	mm x mm

7 Material / Coating	Code
Carbon steel with Durocoat®	-
Stainless steel A2	A2
Stainless steel A4	A4
Stainless steel 1.4547	R5

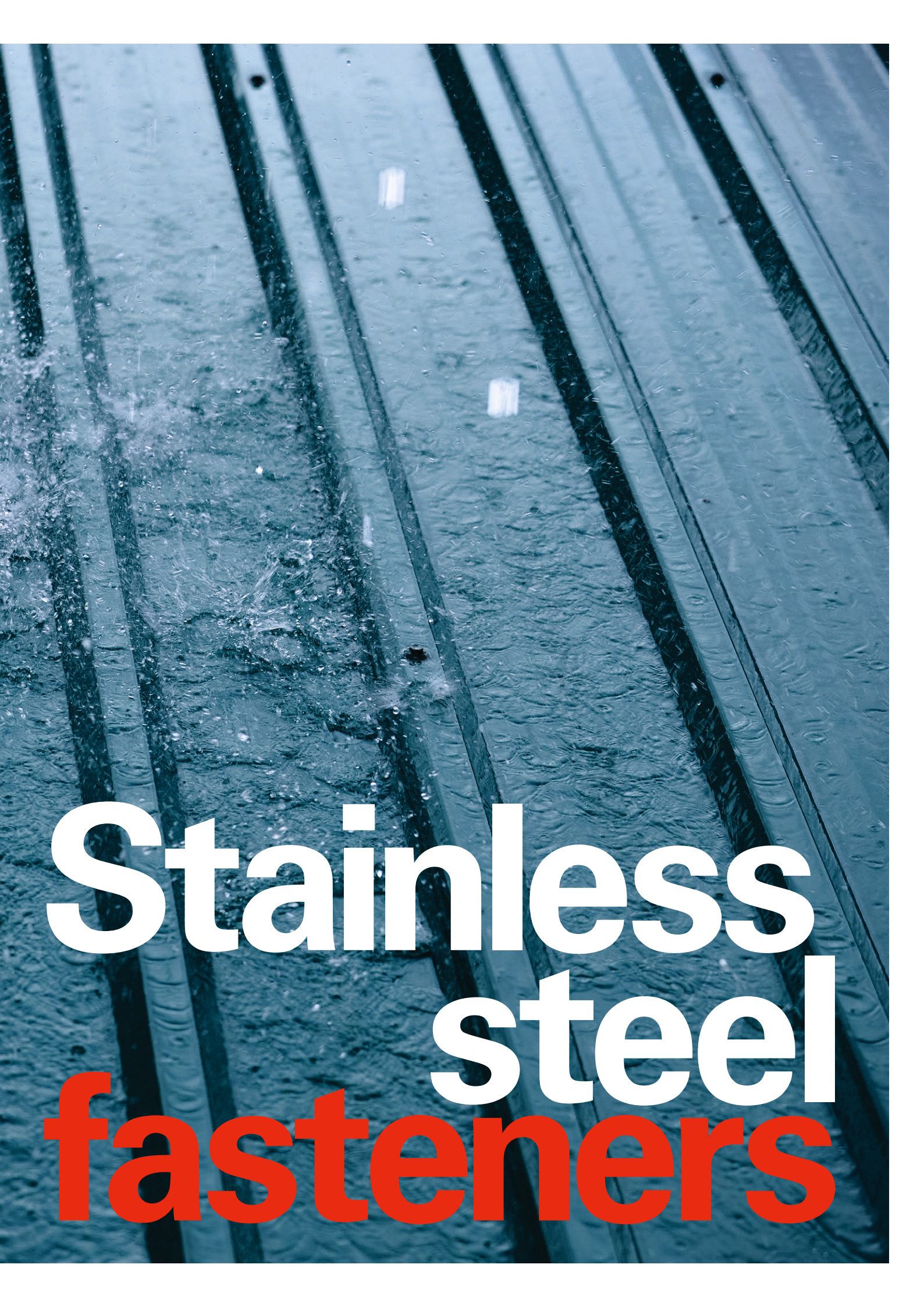
8 Collated (optional)	Code
Plastic strips for SFS ErgoDek®	MED
Plastic strips for SFS QuikDrive®	MQD

9 Painting (optional)	Code
RAL color	RAL no
NCS color	NCS-S no
BS color	BS no

10 Packaging	Code
Cardboard box	-
Plastic cube	PC
Plastic tube	PT
Plastic bag	PB

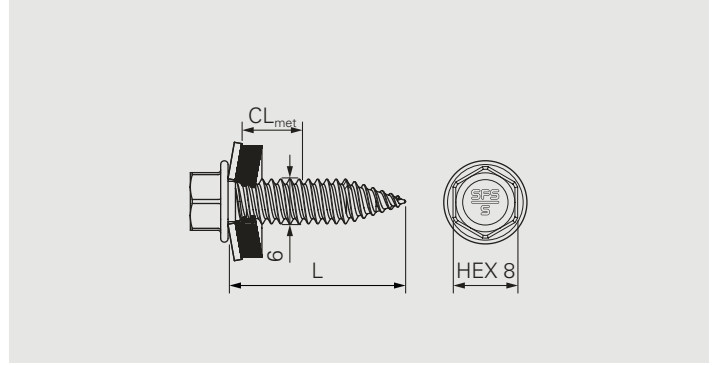
This product code description does not include fastener MMS-plus and MMS-plus-A4





Stainless steel fasteners

CX-6.0-A2



Description

Self-drilling fastener made of stainless steel with FastTip® and sealing washer

Application

- Fastening of solar mounting systems onto profile sheets
- Fastening of solar mounting systems onto sandwich panels
- Fastening of carrier profiles onto profile sheets
- Fastening of carrier profiles onto sandwich panels

Component 1 (t_i)

Steel	0.4–1.0
Aluminium	0.5–2.0
Steel ¹⁾	≥1.0
Aluminium ¹⁾	≥1.0

Component 2 (t_{ii})

Steel	0.4–1.0
Aluminium	0.5–1.5
Steel	0.4–1.5
Steel	2×0.4–1.0
Aluminium	0.5–1.5

¹⁾Clearance hole Ø 5.0–6.5

Fastener material

Austenitic stainless steel A2, hardened tip
Sealing washer: Austenitic stainless steel A2, EPDM seal

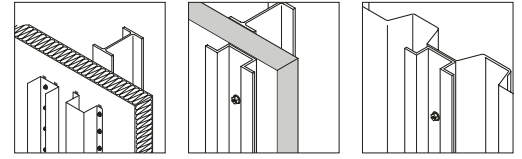
Features and Benefits

- Fastener design for high technical values in the application
- Fast and chip-free installation without necessary post-cleaning
- High quality EPDM-seal with long durability
- ETA approval especially for solar applications

Approvals



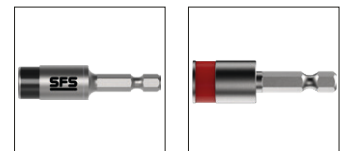
All measures in mm



Fastener in A2

Product code	PU	L	CL _{met}	S16
CX-S16-6.0×25-A2	100	25	0-8	1829788
CX-S16-6.0×25-A2	250			1801601
CX-S16-6.0×38-A2	100	38	0-20	1830832
CX-S16-6.0×38-A2	250			1808619

Please refer to the "Definition of clamping range and fixing thickness" in the technical introduction for definitions and diagrams related to CL_{met}.



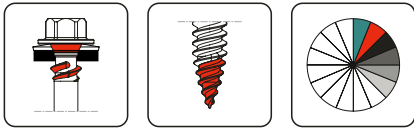
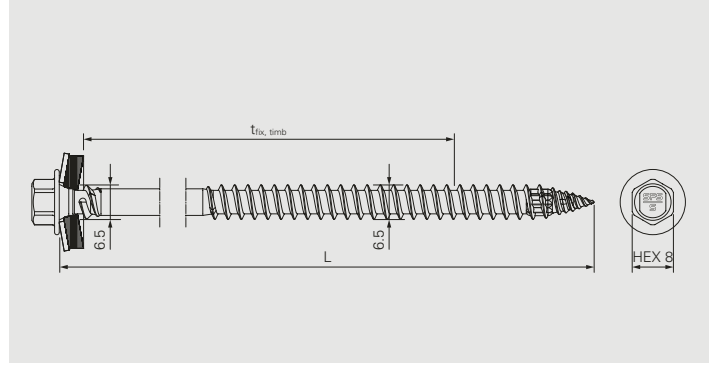
Accessories

Product description	PU	Insert drive	Recess	L	
SOK-IT-¼"-57-6Nm	1	HEX¼"	HEX8	57	1667323
Socket E308-¼"-50				50	1646160

All measures in mm

All information is non-binding and without guarantee. Before using the products, all specifications and calculations must be checked by a suitably qualified person and local regulations must be observed. This document is subject to revision. We reserve the right to make technical changes.

CXCW-6.5-A2



Description

Self-drilling fastener made of stainless steel with FastTip[®], milling ribs, support thread and sealing washer
 Double support thread with free-spin zone and cut-off thread-end

Application

Fastening of sandwich panels onto timber
 Fastening of profile sheets onto timber

Component 1 (t_I)

Steel¹⁾ 0.4–0.75
 Steel¹⁾ 2×0.4–0.75

Component 2 (t_{II})

Timber |_{ef} ≥ 25

¹⁾Cover sheet in case of sandwich panel

Fastener material

Austenitic stainless steel A2, hardened tip
 Sealing washer: Austenitic stainless steel A2, EPDM-seal

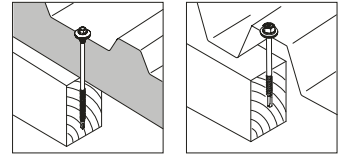
Approvals



Features and Benefits

- Fastener design for high technical values in the application
- Fast and chip-free installation without necessary post-cleaning
- Perfect support function by double support thread
- Reduced splitting tendency in timber by milling ribs
- High bending capacity for absorption of thermal expansions
- High quality EPDM-seal with long durability

All measures in mm



Fastener in A2

Product code	PU	L	t _{fix, timb}	S16	S19	S22	S29
CXCW-S19-6,5×80-A2	100	80	0–46	1754728	1754730	1754731	1757059
CXCW-S19-6,5×90-A2		90	0–56	1573461	1573716	1574055	1757061
CXCW-S19-6,5×110-A2		110	18–76	1573490	1573720	1574056	1757062
CXCW-S19-6,5×130-A2		130	38–96	1573491	1573721	1574071	1757063
CXCW-S19-6,5×150-A2		150	58–116	1573513	1573723	1574072	1757064
CXCW-S19-6,5×170-A2		170	78–136	1573514	1573724	1574077	1757066
CXCW-S19-6,5×200-A2		200	108–166	1573515	1573726	1574085	1757068
CXCW-S19-6,5×230-A2		230	138–196	1573516	1573727	1574087	1757069
CXCW-S19-6,5×260-A2		260	168–226	1573517	1573729	1574089	1757070
CXCW-S19-6,5×300-A2		300	208–266	1573518	1573730	1574093	1757071

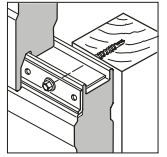
Please refer to the "Definition of clamping range and fixing thickness" in the technical introduction for definitions and diagrams related to t_{fix, timb}.

All measures in mm

All information is non-binding and without guarantee. Before using the products, all specifications and calculations must be checked by a suitably qualified person and local regulations must be observed. This document is subject to revision. We reserve the right to make technical changes.

Without own approval

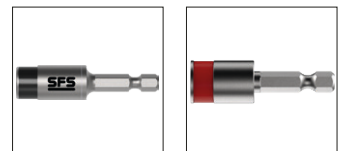
See approval OEM



Fastener in A2

Product code	PU	L	t _{fix, timb}	no washer
CXCW-6,5x80-A2	100	80	1-49	1754710
CXCW-6,5x90-A2		90	1-59	1616119
CXCW-6,5x110-A2		110	21-79	1616122
CXCW-6,5x130-A2		130	41-99	1616129
CXCW-6,5x150-A2		150	61-119	1616144
CXCW-6,5x170-A2		170	81-139	1616151
CXCW-6,5x200-A2		200	111-169	1616152
CXCW-6,5x230-A2		230	141-199	1616155
CXCW-6,5x260-A2		260	171-229	1616300
CXCW-6,5x300-A2		300	211-269	1616315

Please refer to the "Definition of clamping range and fixing thickness" in the technical introduction for definitions and diagrams related to t_{fix, timb}.



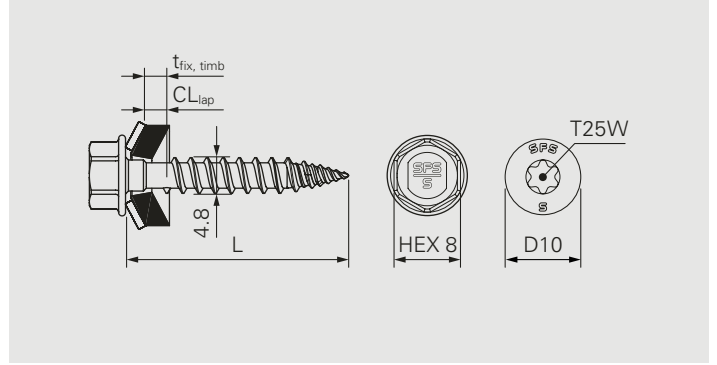
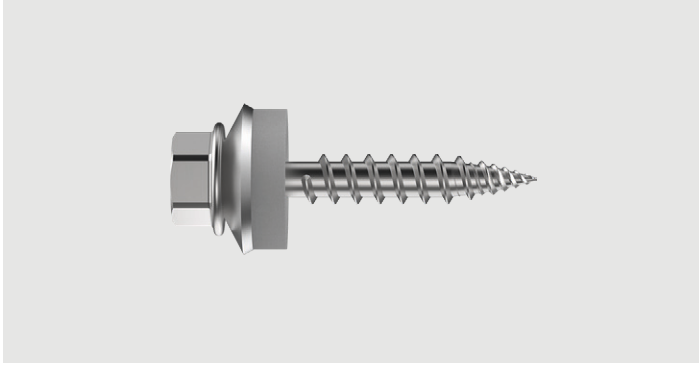
Accessories

Product description	PU	Insert drive	Recess	L	
SOK-IT-¼"-57-6Nm	1	HEX¼"	HEX8	57	1667323
Socket E308-¼"-50				50	1646160

All measures in mm



CXLW-4.8-A2/A4



Description

Self-drilling fastener made of stainless steel with FastTip®, free-spin zone and sealing washer

Application

- Fastening of overlaps of profile sheets
- Fastening of overlaps of sandwich panels
- Fastening of flashings onto profile sheets
- Fastening of flashings onto sandwich panels
- Fastening of profile sheets onto timber

Component 1 (t₁)

Steel	0.4–1.0
Steel	2×0.4–0.75
Aluminium	0.5–1.5

Component 2 (t₁₁)

Steel	0.4–1.0
Steel	2×0.4–0.75
Aluminium	0.5–1.5
Timber	$l_p \geq 23$

Condition: Total thickness within CL_{lap}

Fastener material

Austenitic stainless steel A2/A4, hardened tip
Sealing washer: Aluminium, EPDM-seal

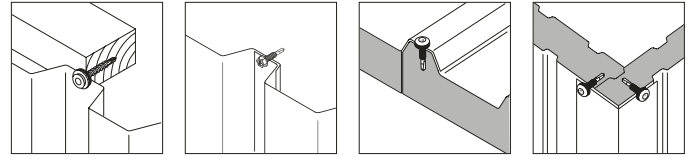
Features and Benefits

- Fast and chip-free installation without necessary post-cleaning
- No torque control required thanks to the free-spin zone
- Comfortable installation without overwinding risk
- High security against unwinding by the cut-off thread-end
- Special AV-shaped sealing washer for high clamping range
- High quality EPDM-seal with long durability

Approvals



All measures in mm



Fastener in A2

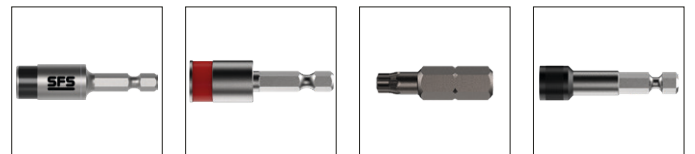
Product code	PU	L	CL _{lap}	t _{fix, timb}	A11	AV14	AV16
CXLW-AV14-4,8×28-A2	100	28	0.8–3.5	0–2	–	1747623	1749183
CXLW-AV14-4,8×28-A2	500				1659057	1749230	
CXLW-D10-A11-4,8×28-A2	100	28	0.8–2.5		1748193	–	–
CXLW-D10-A11-4,8×28-A2	500				1747805		

Please refer to the "Definition of clamping range and fixing thickness" in the technical introduction for definitions and diagrams related to CL_{lap} and t_{fix, timb}.

Fastener in A4

Product code	PU	L	CL _{lap}	t _{fix, timb}	A11	AV14	AV16
CXLW-AV14-4,8×28-A4	100	28	0.8–3.5	0–2	–	1747812	1748204
CXLW-AV14-4,8×28-A4	500				1747773	1748209	
CXLW-D10-A11-4,8×28-A4	100	28	0.8–2.5		1748220	–	–
CXLW-D10-A11-4,8×28-A4	500				1748223		

Please refer to the "Definition of clamping range and fixing thickness" in the technical introduction for definitions and diagrams related to CL_{lap} and t_{fix, timb}.



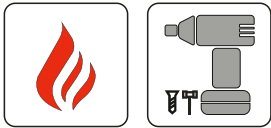
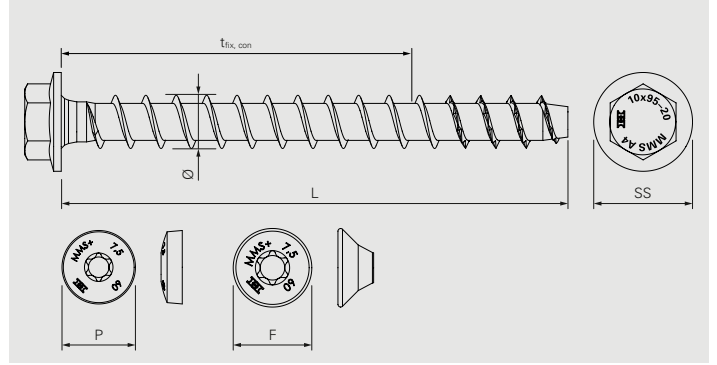
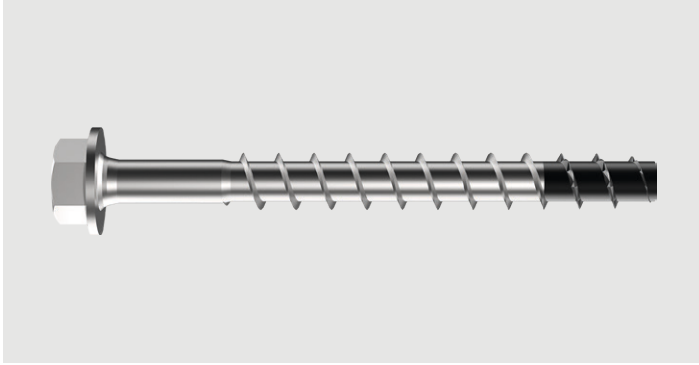
Accessories

Product description	PU	Insert drive	Recess	L	
SOK-IT-¼"-57-6Nm	1	HEX¼"	HEX8	57	1667323
Socket E308-¼"-50				50	1646160
Bit T25W-25-HEX¼"			T25W	25	7662
Bit holder ZA¼"-58			HEX¼"	58	1162306

All measures in mm

All information is non-binding and without guarantee. Before using the products, all specifications and calculations must be checked by a suitably qualified person and local regulations must be observed. This document is subject to revision. We reserve the right to make technical changes.

MMS-plus-A4



Description

Self-tapping fastener made of stainless steel

Application

Fastening of metal decks onto concrete
Fastening of liner trays onto concrete

Fastener Ø	7.5	10.0	12.0
Pre-drill Ø	6.0	8.0	10.0
Embedment depth h_{nom}	≥40/55/75	≥70/85	≥100/115

Fastener material

Austenitic stainless steel A4, hardened tip

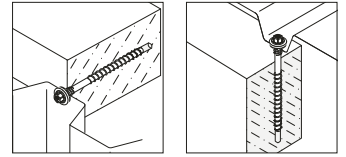
Approvals



Features and Benefits

- Fastener design for high technical values in the application
- Easy and comfortable installation with impact driver
- Toothed functional tip for smooth screwing in and decreased thread abrasion
- Small fastener and edge distances as there is no spreading effect
- More than one specified embedment depth for different requirements
- Fire approved F120/R120

All measures in mm



Fastener in A4

Product code	PU	L	t _{fix, con}	Ø F/P/SS	Fastener drive	
MMS-plus-F-C14-7,5×40-A4	50	40	–	14	T30	1205150
MMS-plus-F-C14-7,5×45-A4		45	0–5			1205107
MMS-plus-F-C14-7,5×55-A4		55	0–15			1205151
MMS-plus-F-C14-7,5×65-A4		65	0–10/25			1205152
MMS-plus-F-C14-7,5×75-A4		75	0–20/35			1205108
MMS-plus-F-C14-7,5×85-A4		85	0–10/30/45			1205109
MMS-plus-F-C14-7,5×95-A4		95	0–20/40/55			1205121
MMS-plus-F-C14-7,5×105-A4		105	0–30/50/65			1205110
MMS-plus-F-C14-7,5×125-A4		125	0–50/70/85			1205111

Recommended torque force approx. 160 Nm

MMS-plus-F-C17-10,0×65-A4	25	65	–	17	T40	1205153
MMS-plus-F-C17-10,0×80-A4		80	0–10			1205154
MMS-plus-F-C17-10,0×90-A4		90	0–5/20			1205155
MMS-plus-F-C17-10,0×100-A4		100	0–15/30			1205156

Recommended torque force approx. 250 Nm

MMS-plus-F-C21-12,0×95-A4	25	95	–	21	T50	1205157
MMS-plus-F-C21-12,0×105-A4		105	0–5			1205158
MMS-plus-F-C21-12,0×120-A4		120	0–5/20			1205159
MMS-plus-F-C21-12,0×130-A4		130	0–15/30			1205160

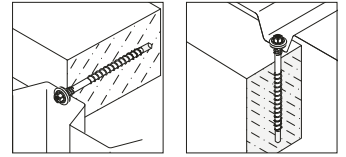
Recommended torque force approx. 600 Nm

MMS-plus-P-D14-7,5×40-A4	50	40	–	14	T30	1205122
MMS-plus-P-D14-7,5×45-A4		45	0–5			1205118
MMS-plus-P-D14-7,5×55-A4		55	0–15			1205119
MMS-plus-P-D14-7,5×65-A4		65	0–10/25			1205120
MMS-plus-P-D14-7,5×75-A4		75	0–20/35			1205104
MMS-plus-P-D14-7,5×85-A4		85	0–10/30/45			1205105
MMS-plus-P-D14-7,5×95-A4		95	0–20/40/55			1205106
MMS-plus-P-D14-7,5×115-A4		115	0–40/60/75			1205161

Recommended torque force approx. 160 Nm

All measures in mm

All information is non-binding and without guarantee. Before using the products, all specifications and calculations must be checked by a suitably qualified person and local regulations must be observed. This document is subject to revision. We reserve the right to make technical changes.



Fastener in A4

Product code	PU	L	t _{fix, con}	Ø F/P/SS	Fastener drive	
MMS-plus-SS-7,5×40-A4	50	40	–	15	HEX10	1205141
MMS-plus-SS-7,5×45-A4		45	0–5			1205117
MMS-plus-SS-7,5×55-A4		55	0–15			1205142
MMS-plus-SS-7,5×65-A4		65	0–10/25			1205143
MMS-plus-SS-7,5×75-A4		75	0–20/35			1205112
MMS-plus-SS-7,5×85-A4		85	0–10/30/45			1205113
MMS-plus-SS-7,5×105-A4		105	0–30/50/65			1205114

Recommended torque force approx. 160 Nm

MMS-plus-SS-10,0×65-A4	25	65	–	20	HEX13	1205144
MMS-plus-SS-10,0×75-A4		75	0–5			1205145
MMS-plus-SS-10,0×85-A4		85	0–15			1205146
MMS-plus-SS-10,0×95-A4	25	95	0–10/25	20	HEX13	1205147
MMS-plus-SS-10,0×105-A4		105	0–20/35			1205148

Recommended torque force approx. 250 Nm

MMS-plus-SS-12,0×95-A4	25	95	–	23	HEX15	1205149
MMS-plus-SS-12,0×105-A4		105	0–5			1205115
MMS-plus-SS-12,0×120-A4		120	0–5/20			1205116
MMS-plus-SS-12,0×135-A4		135	0–20/35			1205102

Recommended torque force approx. 600 Nm

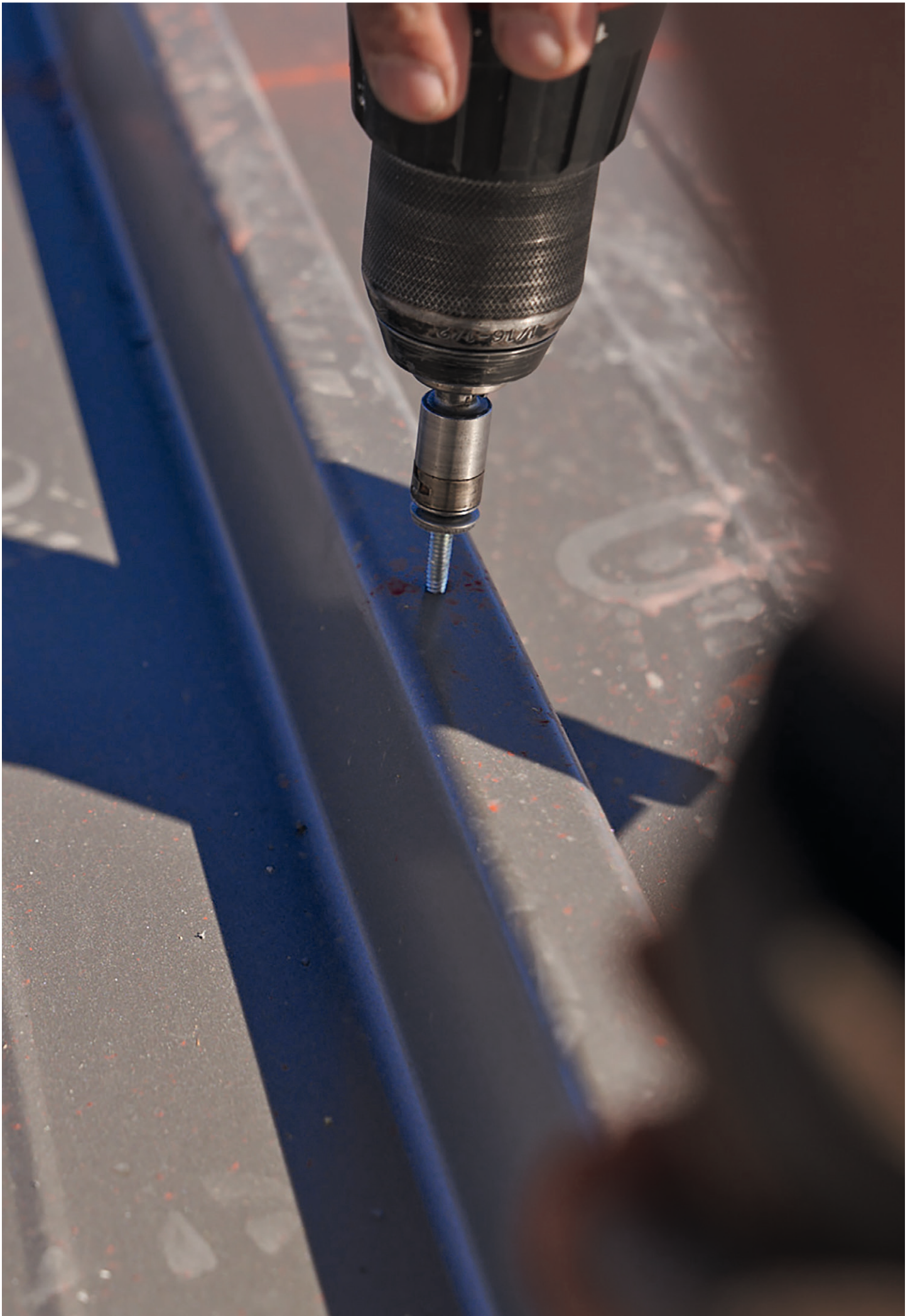
Please refer to the "Definition of clamping range and fixing thickness" in the technical introduction for definitions and diagrams related to t_{fix, con}.



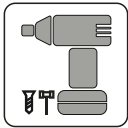
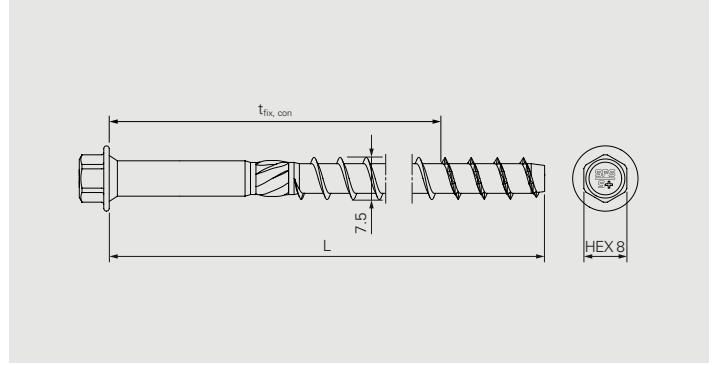
Accessories

Product description	PU	D	L	
SDS-6×215/150-4C	1	6	215	1487583
SDS-8×215/150-4C		8		1487585
SDS-10×215/150-4C		10		1487586

All measures in mm



MX-7.5-A4



Description

Self-tapping fastener made of stainless steel

Application

Hidden fastening of sandwich panels onto concrete

Component 1 (t₁)

Steel¹⁾

0.4–1.5

Component 2 (t₂)

Concrete

$h_{nom} \geq 65$

Pre-drill \varnothing 6.0

¹⁾ Cover sheet in case of sandwich panel

Fastener material

Austenitic stainless steel A4, hardened tip

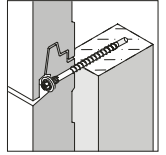
Approvals



Features and Benefits

- Fastener design for high technical values in the application
- Easy and comfortable installation with impact driver
- Toothed functional tip for smooth screwing in and decreased thread abrasion
- Small fastener and edge distances as there is no spreading effect
- High bending capacity for absorption of thermal expansions

All measures in mm



Fastener in A4

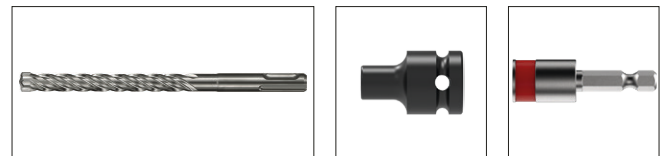
Product code	PU	L	t _{fix, con}	
MX-7,5×155-A4	100	155	80–90	1845285
MX-7,5×175-A4		175	100–110	1845989
MX-7,5×195-A4		195	120–130	1845990
MX-7,5×215-A4		215	140–150	1846013

Recommended torque force 250-400 Nm

MX-7,5×235-A4	100	235	160–170	1846022
MX-7,5×255-A4		255	180–190	1846024

Recommended torque force 350-600 Nm

Please refer to the "Definition of clamping range and fixing thickness" in the technical introduction for definitions and diagrams related to t_{fix, con}.

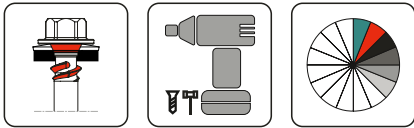
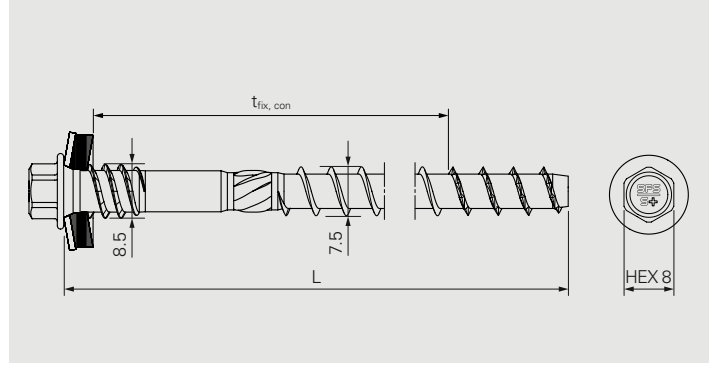
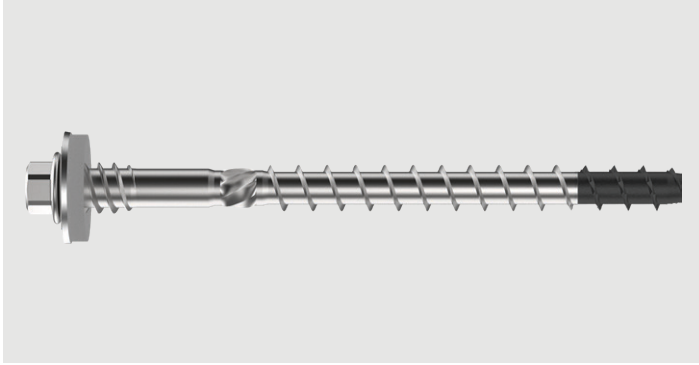


Accessories

Product description	Insert drive	Recess	PU	D	L	
SDS-6x215/150-4C	-	-	1	6	215	1487583
SDS-6x315/250-4C					315	1487584
SDS-6x515/455-4C					515	1608141
Socket E308-¼"-50	HEX¼"	HEX8	1	-	50	1646160
Socket E508-½"-40	HEX½"				40	1648380

All measures in mm

MXC-7.5-A4



Description

Self-tapping fastener made of stainless steel with support thread and sealing washer
 Double support thread with free-spin zone and cut-off thread-end

Application

Fastening of sandwich panels onto concrete
 Fastening of profile sheets onto concrete

Component 1 (t₁)

Steel¹⁾

0.4–1.5

Component 2 (t₂)

Concrete

$h_{nom} \geq 65$

Pre-drill \varnothing 6.0

¹⁾ Cover sheet in case of sandwich panel

Fastener material

Austenitic stainless steel A4, hardened tip
 Sealing washer: Austenitic stainless steel A4, EPDM-seal

Approvals

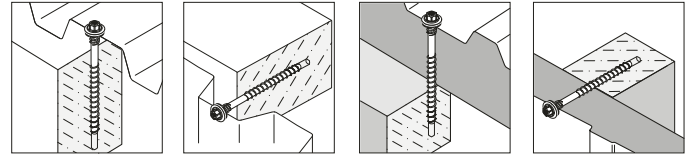


ETA-20/0115

Features and Benefits

- Fastener design for high technical values in the application
- Easy and comfortable installation with impact driver
- Perfect support function by double support thread
- Toothed functional tip for smooth screwing in and decreased thread abrasion
- Small fastener and edge distances as there is no spreading effect
- High bending capacity for absorption of thermal expansions
- High quality EPDM-seal with long durability

All measures in mm



Fastener in A4

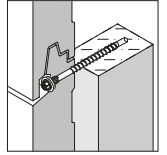
Product code	PU	L	t _{fix, con}	S16/A4	S19/A4	S22/A4
MXC-S19/A4-7,5×95-A4	100	95	20–27	1596755	1596762	1596768
MXC-S19/A4-7,5×115-A4		115	37–47	1596786	1596788	1596790
MXC-S19/A4-7,5×135-A4		135	57–67	1596802	1596806	1596807
Recommended torque force 200-300 Nm						
MXC-S19/A4-7,5×155-A4	100	155	77–87	1596812	1596813	1596818
MXC-S19/A4-7,5×175-A4		175	97–107	1596862	1596866	1596868
MXC-S19/A4-7,5×195-A4		195	117–127	1596947	1596953	1596956
MXC-S19/A4-7,5×215-A4		215	137–147	1597023	1597024	1597025
Recommended torque force 250-400 Nm						
MXC-S19/A4-7,5×235-A4	100	235	157–167	1597028	1598660	1598674
MXC-S19/A4-7,5×255-A4		255	177–187	1598678	1598686	1598715
MXC-S19/A4-7,5×275-A4		275	197–207	1598722	1598726	1598727
MXC-S19/A4-7,5×295-A4		295	217–227	1598733	1598735	1598791
MXC-S19/A4-7,5×315-A4		315	237–247	1598798	1598813	1598814
Recommended torque force 350-600 Nm						
MXC-S19/A4-7,5×335-A4	100	335	257–267	1598917	1598932	1598970
MXC-S19/A4-7,5×355-A4		355	277–287	1598993	1599213	1599214
MXC-S19/A4-7,5×375-A4		375	297–307	1599216	1599217	1599218

Recommended torque force 600-800 Nm

Please refer to the "Definition of clamping range and fixing thickness" in the technical introduction for definitions and diagrams related to t_{fix, con}.

All measures in mm

All information is non-binding and without guarantee. Before using the products, all specifications and calculations must be checked by a suitably qualified person and local regulations must be observed. This document is subject to revision. We reserve the right to make technical changes.



Fastener in A4

Product code	PU	L	t _{fix, con}	no washer
MXC-7,5×95-A4	100	95	23–30	1596782
MXC-7,5×115-A4		115	40–50	1596801
MXC-7,5×135-A4		135	60–70	1596811

Recommended torque force 200-300 Nm

MXC-7,5×155-A4	100	155	80–90	1596820
MXC-7,5×175-A4		175	100–110	1596891
MXC-7,5×195-A4		195	120–130	1596957
MXC-7,5×215-A4		215	140–150	1597026

Recommended torque force 250-400 Nm

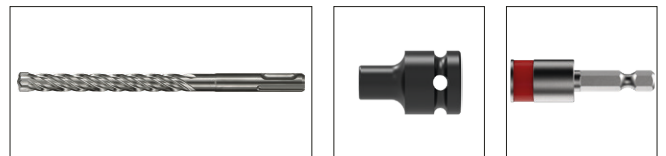
MXC-7,5×235-A4	100	235	160–170	1598675
MXC-7,5×255-A4		255	180–190	1598720
MXC-7,5×275-A4		275	200–210	1598728
MXC-7,5×295-A4		295	220–230	1598795
MXC-7,5×315-A4		315	240–250	1598816

Recommended torque force 350-600 Nm

MXC-7,5×335-A4	100	335	260–270	1598972
MXC-7,5×355-A4		355	280–290	1599215
MXC-7,5×375-A4		375	300–310	1599219

Recommended torque force 600-800 Nm

Please refer to the "Definition of clamping range and fixing thickness" in the technical introduction for definitions and diagrams related to t_{fix, con}.



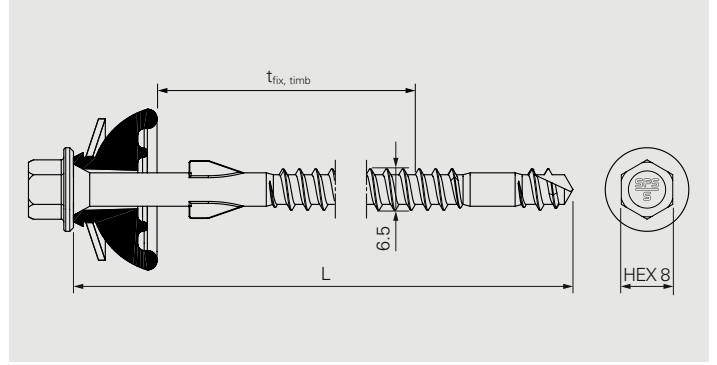
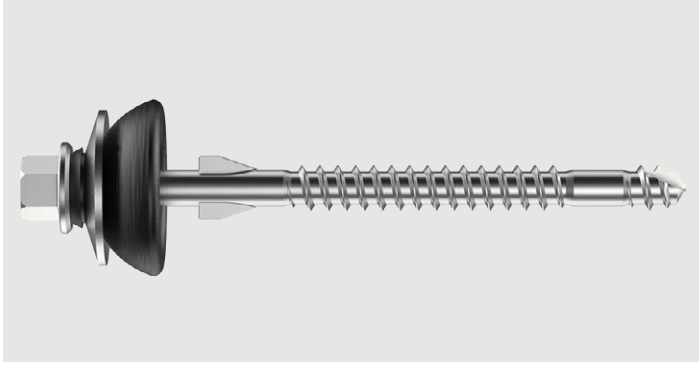
Accessories

Product description	Insert drive	Recess	PU	D	L	
SDS-6x215/150-4C	-	-	1	6	215	1487583
SDS-6x315/250-4C					315	1487584
SDS-6x515/455-4C					515	1608141
Socket E308-¼"-50	HEX¼"	HEX8	1	-	50	1646160
Socket E508-½"-40	HEX½"				40	1648380

All measures in mm



SCFW-S-6.5-A2



Description

Self-drilling fastener made of stainless steel with shank wings and BAZ sealing element

Application

Fastening of corrugated fibre cement boards onto timber

Component 1 (t_i)

Fibre cement	6.5
Fibre cement	2x6.5

Component 2 (t_{ii})

Timber	$l_p \geq 50$
--------	---------------

Fastener material

Austenitic stainless steel A2

BAZ sealing element: Austenitic stainless steel A2, EPDM-seal

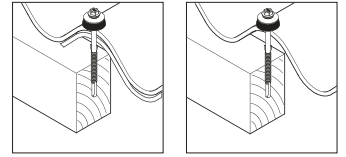
Approvals



Features and Benefits

- Threaded drill point for fast and smooth installation
- Easy drilling through overlapped fibre cement boards
- No stresses at fibre cement board by widening of the through hole
- Reduced splitting tendency in timber
- High quality EPDM-seal with long durability

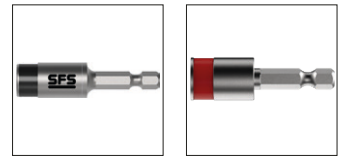
All measures in mm



Fastener in A2

Product code	PU	L	t _{fix, timb}	
SCFW-S-BAZ-6,5x130-A2	100	130	0-70	1627280

Please refer to the "Definition of clamping range and fixing thickness" in the technical introduction for definitions and diagrams related to t_{fix, timb}.



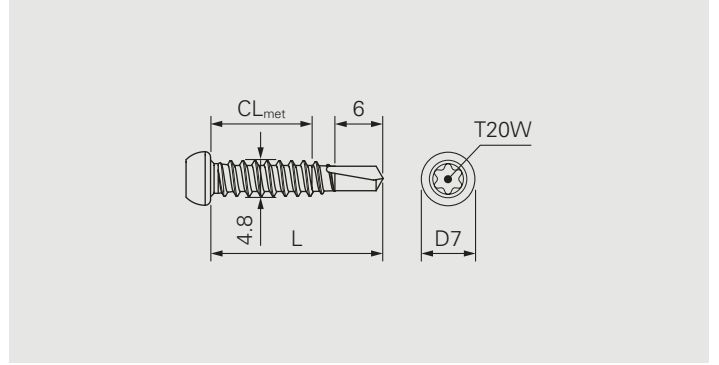
Accessories

Product description	PU	Insert drive	Recess	L	
SOK-IT-¼"-57-6Nm	1	HEX¼"	HEX8	57	1667323
Socket E308-¼"-50				50	1646160

All measures in mm

All information is non-binding and without guarantee. Before using the products, all specifications and calculations must be checked by a suitably qualified person and local regulations must be observed. This document is subject to revision. We reserve the right to make technical changes.

SD1-D7-4.8-A2



Description

Self-drilling fastener made of stainless steel with small head shape

Application

Fastening of flashings onto sandwich panels
Fastening of flashings onto profile sheets

Component 1 (t_i)

Steel	0.4–1.0
Steel	2×0.4–0.75
Aluminium	0.5–1.5

Component 2 (t_{ii})

Steel	0.4–1.0
Steel	2×0.4–0.75
Aluminium	0.5–1.5

Fastener material

Austenitic stainless steel A2

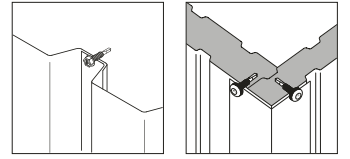
Features and Benefits

- Full stainless self-drilling fastener for steel applications
- Aesthetic small head shape in rivet look
- Reduced CO₂ footprint and easy recyclability

Approvals



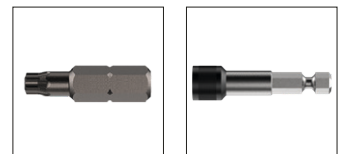
All measures in mm



Fastener in A2

Product code	PU	L	CL _{met}	
SD1-D7-4,8×22-A2	500	22	0-9	1680829
SD1-D7-4,8×22-A2	250			1818379
SD1-D7-4,8×22-A2-RAL7016	500			1672416
SD1-D7-4,8×22-A2-RAL7024				1714701
SD1-D7-4,8×22-A2-RAL9006				1672399
SD1-D7-4,8×22-A2-RAL9007				1680586
SD1-D7-4,8×22-A2-RAL9010				1672397
SD1-D7-4,8×22-A2-RAL9011				1672446

Please refer to the "Definition of clamping range and fixing thickness" in the technical introduction for definitions and diagrams related to CL_{met}.
 Bit T20W-50-HEX¼" included in each PU500 package.



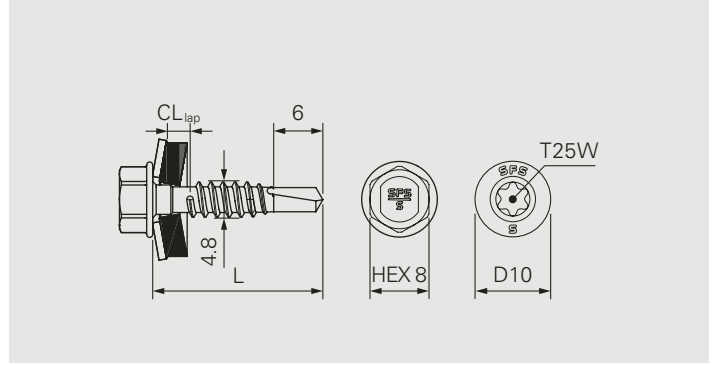
Accessories

Product code	PU	Insert drive	Recess	L	
Bit holder ZA¼" -58	1	HEX¼"	HEX¼"	58	1162306
Bit T20W-25-HEX¼"			T20W	25	53075

All measures in mm

All information is non-binding and without guarantee. Before using the products, all specifications and calculations must be checked by a suitably qualified person and local regulations must be observed. This document is subject to revision. We reserve the right to make technical changes.

SDL1-4.8-A2



Description

Self-drilling fastener made of stainless steel with free-spin zone and sealing washer

Application

- Fastening of overlaps of sandwich panels
- Fastening of flashings onto sandwich panels
- Fastening of overlaps of profile sheets
- Fastening of flashings onto profile sheets

Component 1 (t₁)

Steel	0.4–1.0
Steel	2×0.4–0.75
Aluminium	0.5–1.5

Component 2 (t_{II})

Steel	0.4–1.0
Steel	2×0.4–0.75
Aluminium	0.5–1.5

Condition: Total thickness within CL_{lap}

Fastener material

Austenitic stainless steel A2
Sealing washer: Aluminium, EPDM-seal

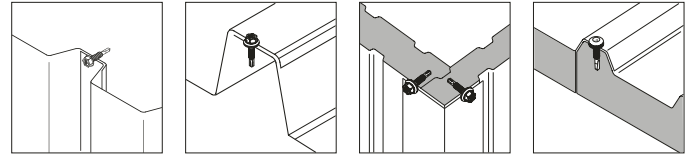
Features and Benefits

- Full stainless self-drilling fastener for steel applications
- No torque control required thanks to the free-spin zone
- Comfortable installation without overwinding risk
- High security against unwinding by the cut-off thread-end
- Special AV-shaped sealing washer for high clamping range
- High quality EPDM-seal with long durability
- Reduced CO₂ footprint and easy recyclability

Approvals



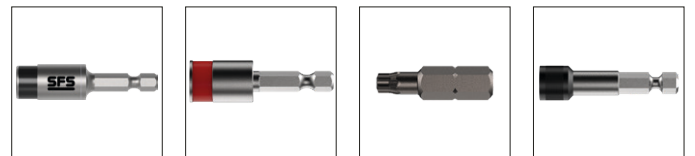
All measures in mm



Fastener in A2

Product code	PU	L	CL _{lap}	A11	AV14	AV16
SDL1-AV14-4,8x22-A2	500	22	0.8-3.5	-	1683907	1744798
SDL1-AV14-4,8x22-A2	250				1795399	1795400
SDL1-AV14-4,8x22-A2-RAL7016	500			1684021	-	
SDL1-AV14-4,8x22-A2-RAL7024				1714702		
SDL1-AV14-4,8x22-A2-RAL9006				1683997		
SDL1-AV14-4,8x22-A2-RAL9007				1683982		
SDL1-AV14-4,8x22-A2-RAL9010				1683981		
SDL1-AV14-4,8x22-A2-RAL9011				1683955		
SDL1-D10-A11-4,8x22-A2				250	22	0.8-2.5
SDL1-D10-A11-4,8x22-A2	500	1714704				
SDL1-D10-A11-4,8x22-A2-RAL7016		1714705				
SDL1-D10-A11-4,8x22-A2-RAL7024		1714706				
SDL1-D10-A11-4,8x22-A2-RAL9006		1714709				
SDL1-D10-A11-4,8x22-A2-RAL9007		1714710				
SDL1-D10-A11-4,8x22-A2-RAL9010		1714711				
SDL1-D10-A11-4,8x22-A2-RAL9011		1714712				

Please refer to the "Definition of clamping range and fixing thickness" in the technical introduction for definitions and diagrams related to CL_{lap}. Bit T25W-50-HEX¼" included in each PU500 package of SDL1-D10.



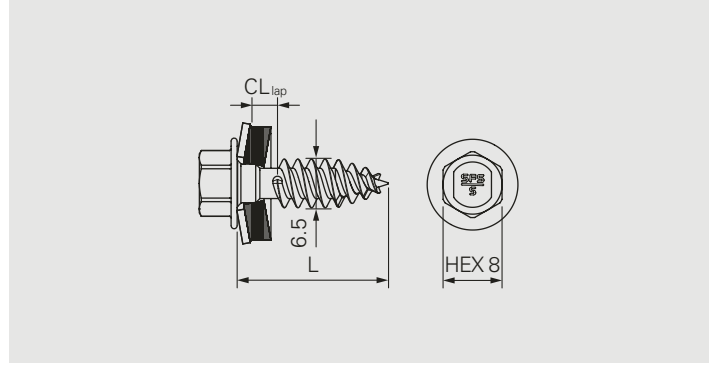
Accessories

Product description	PU	Insert drive	Recess	L	
SOK-IT-¼"-57-6Nm	1	HEX¼"	HEX8	57	1667323
Socket E308-¼"-50				50	1646160
Bit T25W-25-HEX¼"			T25W	25	7662
Bit holder ZA¼"-58			HEX¼"	58	1162306

All measures in mm

All information is non-binding and without guarantee. Before using the products, all specifications and calculations must be checked by a suitably qualified person and local regulations must be observed. This document is subject to revision. We reserve the right to make technical changes.

SLG-S-6.5-A2



Description

Self-drilling fastener made of stainless steel with FastTip®, free-spin zone and sealing washer

Application

- Fastening of solar mounting systems onto profile sheets
- Fastening of solar mounting systems onto sandwich panels
- Fastening of carrier profiles onto profile sheets
- Fastening of carrier profiles onto sandwich panels
- Fastening of metal profiles onto metal deck

Component 1 (t₁)

Steel ¹⁾	≥1.5
Aluminium ¹⁾	≥1.5

Component 2 (t₂)

Steel	0.4–1.25
Steel	2×0.4–1.0
Aluminium	0.5–1.5

Condition: Total thickness within CL_{lap} ¹⁾Clearance hole Ø 6.5–7.0

Fastener material

Austenitic stainless steel A2, hardened tip
Sealing washer: Austenitic stainless steel A2, EPDM-seal

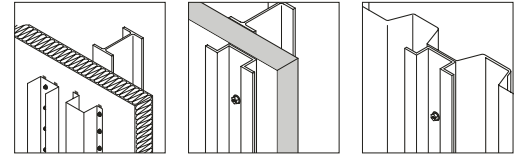
Approvals



Features and Benefits

- Fastener design for high technical values in the application
- Fast and chip-free installation without necessary post-cleaning
- No torque control required thanks to the free-spin zone
- Comfortable installation without overwinding risk
- High security against unwinding by the cut-off thread-end
- High quality EPDM-seal with long durability

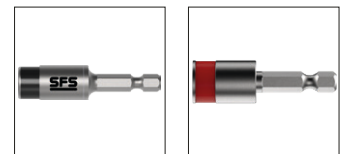
All measures in mm



Fastener in A2

Product code	PU	L	CL _{lap}	no washer	S14	S16
SLG/0-2-S-S14-6,5×20-A2	250	20	0-2	-	1492629	-
SLG/4-6-S-S16-6,5×24-A2	1000	24	4-6	-	-	1618935
SLG/2-5-S-6,5×20-A2	250	20	2-5	1468117	-	-

Please refer to the "Definition of clamping range and fixing thickness" in the technical introduction for definitions and diagrams related to CL_{lap}.



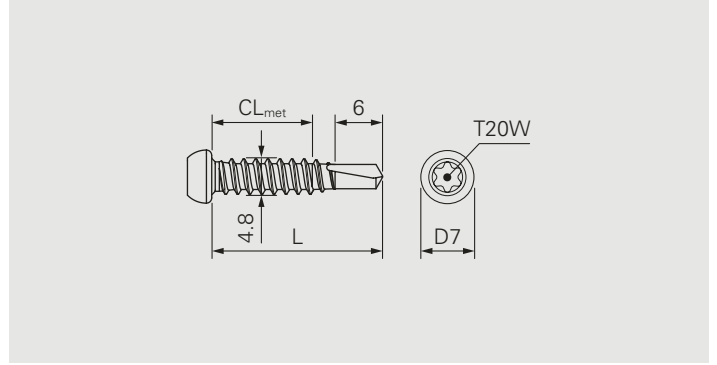
Accessories

Product description	PU	Insert drive	Recess	L	
SOK-IT-¼"-57-6Nm	1	HEX¼"	HEX8	57	1667323
Socket E308-¼"-50				50	1646160

All measures in mm

All information is non-binding and without guarantee. Before using the products, all specifications and calculations must be checked by a suitably qualified person and local regulations must be observed. This document is subject to revision. We reserve the right to make technical changes.

SX2-D7-4.8-A2



Description

Self-drilling fastener made of stainless steel with small head shape

Application

Fastening of flashings onto sandwich panels
Fastening of flashings onto profile sheets

Component 1 (t_i)

Steel	0.4–1.5
Steel	2×0.4–0.88
Aluminium	0.5–1.5

Component 2 (t_{ii})

Steel	0.4–1.5
Steel	2×0.4–0.88
Aluminium	0.5–1.5

Fastener material

Austenitic stainless steel A2, hardened tip

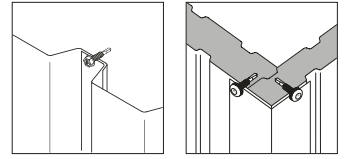
Features and Benefits

- Aesthetic small head shape in rivet look

Approvals



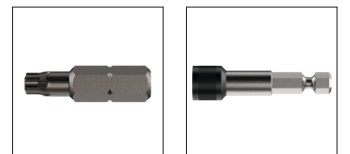
All measures in mm



Fastener in A2

Product code	PU	L	CL _{met}	
SX2-D7-4,8x22-A2	500	22	0-9	1747715
SX2-D7-4,8x22-A2	100			1747691

Please refer to the "Definition of clamping range and fixing thickness" in the technical introduction for definitions and diagrams related to CL_{met}.



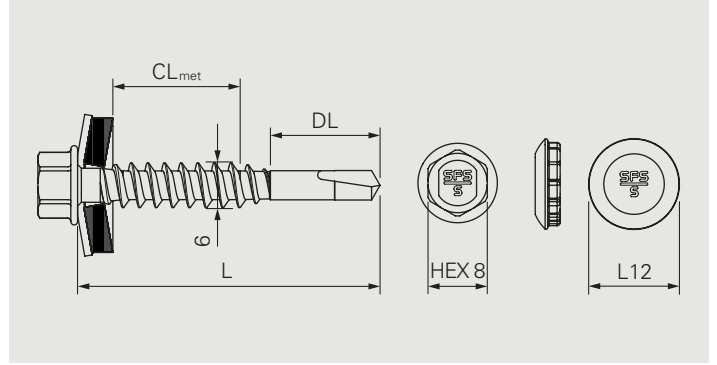
Accessories

Product description	PU	Insert drive	Recess	L	
Bit T20W-25-HEX $\frac{1}{4}$ "	1	HEX $\frac{1}{4}$ "	T20W	25	895280
Bit holder ZA $\frac{1}{4}$ "-58			HEX $\frac{1}{4}$ "	58	1162306

All measures in mm

All information is non-binding and without guarantee. Before using the products, all specifications and calculations must be checked by a suitably qualified person and local regulations must be observed. This document is subject to revision. We reserve the right to make technical changes.

SX3-6.0-A2/A4



Description

Self-drilling fastener made of stainless steel with sealing washer

Application

- Fastening of profile sheets onto metal profiles
- Fastening of profile sheets onto liner trays
- Fastening of standing seam clips onto metal decks
- Fastening of standing seam clips onto metal profiles

Fastener material

Austenitic stainless steel A2/A4, hardened tip
Sealing washer: Austenitic stainless steel A2/A4, EPDM-seal

Approvals



Component 1 (t_i)

Steel	0.5–1.5
Aluminium	0.5–1.5
Clip ¹⁾	≥5.0

Component 2 (t_{ii})

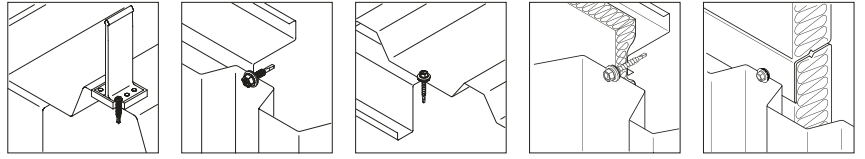
Steel	0.63–2.0
Steel	2×0.63–1.5
Aluminium	1.0–2.5
Steel	0.75–2.5
Aluminium	1.0–3.0

¹⁾Clearance hole Ø 6.1

Features and Benefits

- Fastener design for high technical values in the application
- Long drill point suitable for applications with thermal decoupling tape
- High quality EPDM-seal with long durability

All measures in mm



Fastener in A2

Product code	PU	L	CL _{met}	DL	A11	S16	S19
SX3-S16-6×29-A2	500	29	0–9	9	–	1141978	1142000
SX3-S16-6×40-A2		40	0–15	15		1133237	1142008
SX3-S16-6×50-A2		50	0–20	20		1133239	1142063
SX3-L12-A11-6×29-A2	500	29	0–9	9	1142002	–	–

Please refer to the "Definition of clamping range and fixing thickness" in the technical introduction for definitions and diagrams related to CL_{met}.

Fastener in A4

Product code	PU	L	CL _{met}	DL	S16/A4	S19/A4
SX3-S16/A4-6×29-A4	500	29	0–9	9	1479579	1614057
SX3-S16/A4-6×38-A4		38	0–18		1575772	1614745
SX3-S16/A4-6×48-A4		48	0–28		1575777	1614058

Please refer to the "Definition of clamping range and fixing thickness" in the technical introduction for definitions and diagrams related to CL_{met}.



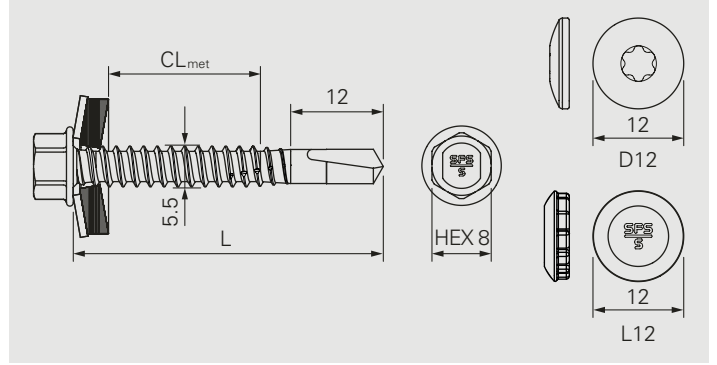
Accessories

Product description	PU	Insert drive	Recess	L	
SOK-IT-¼"-57-6Nm	1	HEX¼"	HEX8	57	1667323
Socket E308-¼"-50				50	1646160
Socket E420-¼"-74			74	973316	

All measures in mm

All information is non-binding and without guarantee. Before using the products, all specifications and calculations must be checked by a suitably qualified person and local regulations must be observed. This document is subject to revision. We reserve the right to make technical changes.

SX5-5.5-A2/A4



Description

Self-drilling fastener made of stainless steel with sealing washer

Application

Fastening of profile sheets onto metal profiles

Component 1 (t_i)

Steel	0.5–1.5
Aluminium	0.5–1.5

Component 2 (t_{ii})

Steel	1.25–4.0
Steel	2×1.25–2.5
Aluminium	1.5–5.0

Fastener material

Austenitic stainless steel A2/A4, hardened tip
Sealing washer: Austenitic stainless steel A2/A4, EPDM-seal

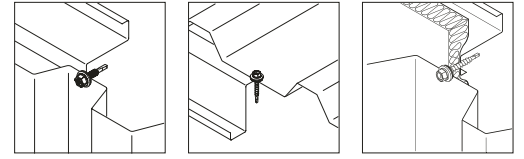
Features and Benefits

- Long drill point for easy drilling through overlapped metal profiles
- High quality EPDM-seal with long durability

Approvals



All measures in mm



Fastener in A2

Product code	PU	L	CL _{met}	S16	S19	A11
SX5-S16-5,5×31-A2	500	31	0–8	1122767	1134299	–
SX5-S16-5,5×35-A2		35	0–12	1123168	1123167	–
SX5-S16-5,5×41-A2		41	0–18	1134477	1134476	–
SX5-S16-5,5×53-A2	250	53	20–30	1133684	1155085	–
SX5-S16-5,5×61-A2		61	0–38	1168765	1168767	–
SX5-S16-5,5×78-A2		78	8–55	1133330	1133331	–
SX5-L12-S16-5,5×31-A2	500	31	0–8	1134340	–	–
SX5-L12-S16-5,5×35-A2		35	0–12	1134352	–	–
SX5-L12-S16-5,5×41-A2		41	0–18	1135439	–	–
SX5-D12-A11-5,5×35-A2	500	35	0–12	–	–	1133806

Please refer to the "Definition of clamping range and fixing thickness" in the technical introduction for definitions and diagrams related to CL_{met}.

Fastener in A4

Product code	PU	L	CL _{met}	S16/A4	S19/A4
SX5-S16/A4-5,5×31-A4	500	31	0–8	1614135	1588949
SX5-S16/A4-5,5×35-A4		35	0–12	1585655	1614137
SX5-S16/A4-5,5×61-A4	250	61	0–38	1585656	1614138

Please refer to the "Definition of clamping range and fixing thickness" in the technical introduction for definitions and diagrams related to CL_{met}.



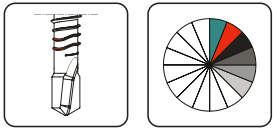
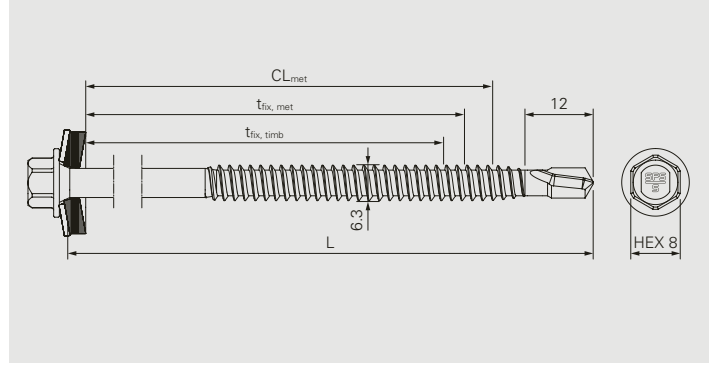
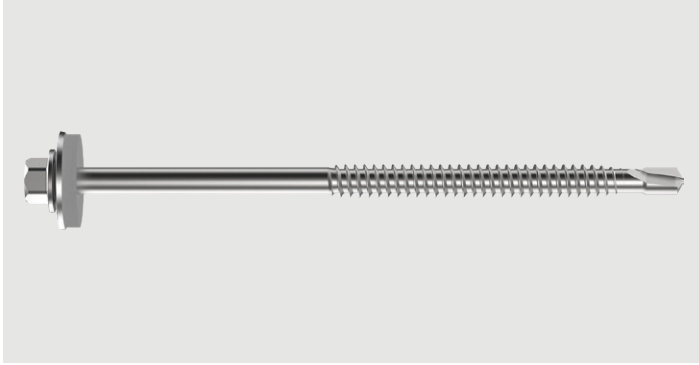
Accessories

Product description	PU	Insert drive	Recess	L	
SOK-IT-¼"-57-6Nm	1	HEX¼"	HEX8	57	1667323
Socket E308-¼"-50				50	1646160
Socket E420-¼"-74			74	973316	

All measures in mm

All information is non-binding and without guarantee. Before using the products, all specifications and calculations must be checked by a suitably qualified person and local regulations must be observed. This document is subject to revision. We reserve the right to make technical changes.

SX5-6.3-A4



Description

Self-drilling fastener made of stainless steel with sealing washer

Application

- Fastening of sandwich panels onto metal profiles
- Fastening of sandwich panels onto timber
- Fastening of profile sheets onto metal profiles
- Fastening of profile sheets onto timber

Component 1 (t_i)

Steel¹⁾ 0.4–1.5

Component 2 (t_{ii})

Steel	1.0–4.0
Steel	2×0.75–2.5
Timber	l _{ef} ≥ 25

¹⁾ Cover sheet in case of sandwich panel

Fastener material

Austenitic stainless steel A4, hardened tip
Sealing washer: Austenitic stainless steel A4, EPDM-seal

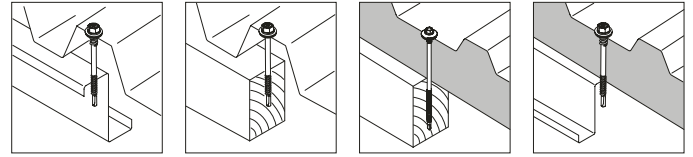
Approvals



Features and Benefits

- Fastener design for high technical values in the application
- Long drill point for easy drilling through overlapped metal profiles
- High bending capacity for absorption of thermal expansions
- High quality EPDM-seal with long durability
- Especially suitable for fastening with load distribution plates and saddle washers

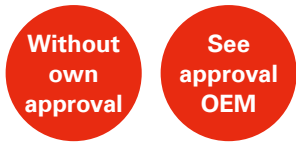
All measures in mm



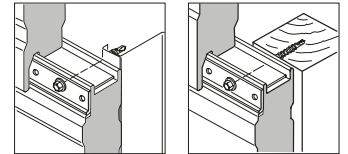
Fastener in A4

Product code	PU	L	CL _{met}	t _{fix, met}	t _{fix, timb}	S16/A4	S19/A4
SX5-S19/A4-6,3×80-A4	100	80	30–55	30–55-t _{II}	15–40	1649399	1649421
SX5-S19/A4-6,3×100-A4		100	40–75	40–75-t _{II}	25–60	1649401	1649423
SX5-S19/A4-6,3×120-A4		120	50–95	50–95-t _{II}	35–80	1649402	1649424
SX5-S19/A4-6,3×140-A4		140	70–115	70–115-t _{II}	55–100	1649403	1649426
SX5-S19/A4-6,3×160-A4		160	90–135	90–135-t _{II}	75–120	1649404	1649428
SX5-S19/A4-6,3×190-A4		190	110–165	110–165-t _{II}	95–150	1649405	1649430
SX5-S19/A4-6,3×220-A4		220	140–195	140–195-t _{II}	125–180	1649406	1649432
SX5-S19/A4-6,3×250-A4		250	170–225	170–225-t _{II}	155–210	1649408	1649434

Please refer to the "Definition of clamping range and fixing thickness" in the technical introduction for definitions and diagrams related to CL_{met}, t_{fix, met}, t_{fix, timb}.

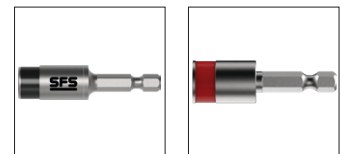


Fastener in A4



Product code	PU	L	CL _{met}	t _{fix, met}	t _{fix, timb}	no washer
SX5-6,3×80-A4	100	80	33–58	33–58-t _{II}	18–43	1649390
SX5-6,3×100-A4		100	43–78	43–78-t _{II}	28–63	1649391
SX5-6,3×120-A4		120	53–98	53–98-t _{II}	38–83	1649392
SX5-6,3×140-A4		140	73–118	73–118-t _{II}	58–103	1649393
SX5-6,3×160-A4		160	93–138	93–138-t _{II}	78–123	1649395
SX5-6,3×190-A4		190	113–168	113–168-t _{II}	98–153	1649396
SX5-6,3×220-A4		220	143–198	143–198-t _{II}	128–183	1649397
SX5-6,3×250-A4		250	173–228	173–228-t _{II}	158–213	1649398

Please refer to the "Definition of clamping range and fixing thickness" in the technical introduction for definitions and diagrams related to CL_{met}, t_{fix, met}, t_{fix, timb}.



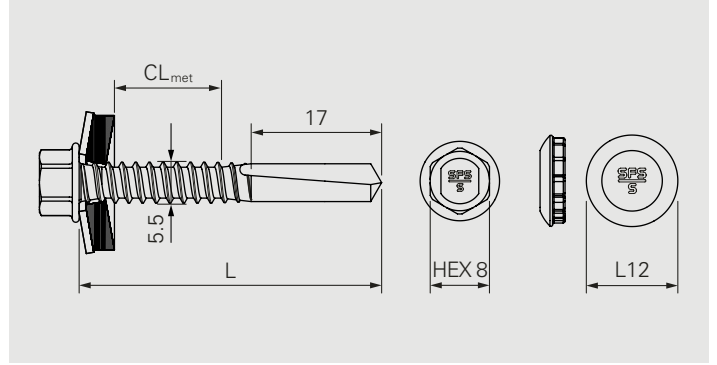
Accessories

Product description	PU	Insert drive	Recess	L	
SOK-IT-¼"-57-6Nm	1	HEX¼"	HEX8	57	1667323
Socket E308-¼"-50				50	1646160

All measures in mm

All information is non-binding and without guarantee. Before using the products, all specifications and calculations must be checked by a suitably qualified person and local regulations must be observed. This document is subject to revision. We reserve the right to make technical changes.

SX14-5.5-A2/A4



Description

Self-drilling fastener made of stainless steel with sealing washer

Application

Fastening of profile sheets onto steel beams

Component 1 (t_i)

Steel	0.5–1.5
Aluminium	0.5–1.5

Component 2 (t_{ii})

Steel	4.0–12.0
-------	----------

Fastener material

Austenitic stainless steel A2/A4, hardened tip
Sealing washer: Austenitic stainless steel A2/A4, EPDM-seal

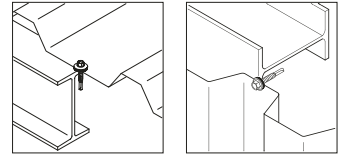
Features and Benefits

- High drilling performance for heavy steel beams
- High quality EPDM-seal with long durability

Approvals



All measures in mm



Fastener in A2

Product code	PU	L	CL _{met}	S16	S19
SX14-S16-5,5x40-A2	500	40	0-12	770785	770796
SX14-S16-5,5x48-A2		48	0-20	773625	773626
SX14-S16-5,5x66-A2	250	66	0-38	770805	770807
SX14-S16-5,5x86-A2		86	0-58	523277	519419
SX14-L12-S16-5,5x40-A2	500	40	0-12	776328	776334

Please refer to the "Definition of clamping range and fixing thickness" in the technical introduction for definitions and diagrams related to CL_{met}.

Fastener in A4

Product code	PU	L	CL _{met}	S16/A4	S19/A4
SX14-S16/A4-5,5x40-A4	500	40	0-12	1585191	1585192
SX14-S16/A4-5,5x55-A4	250	55	0-27	1585194	1614143

Please refer to the "Definition of clamping range and fixing thickness" in the technical introduction for definitions and diagrams related to CL_{met}.



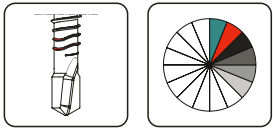
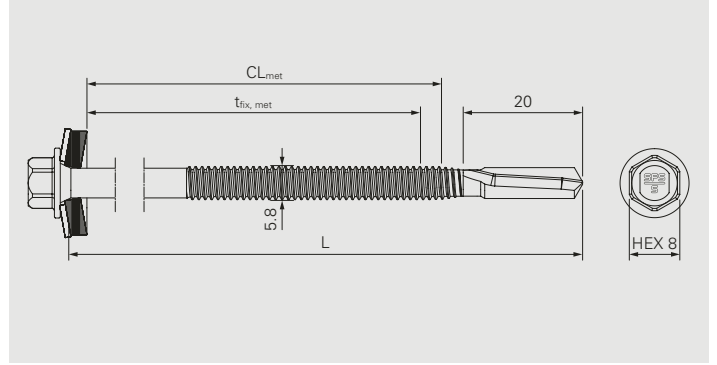
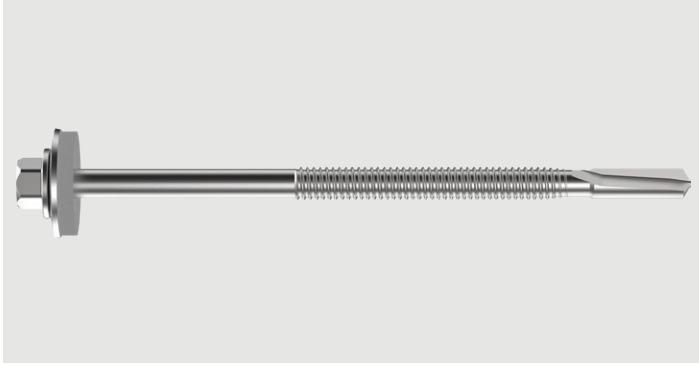
Accessories

Product description	PU	Insert drive	Recess	L	
SOK-IT-¼"-57-6Nm	1	HEX¼"	HEX8	57	1667323
Socket E308-¼"-50				50	1646160
Socket E420-¼"-74			74	irus® L12	973316

All measures in mm

All information is non-binding and without guarantee. Before using the products, all specifications and calculations must be checked by a suitably qualified person and local regulations must be observed. This document is subject to revision. We reserve the right to make technical changes.

SX16-5.8-A4



Description

Self-drilling fastener made of stainless steel with sealing washer

Application

Fastening of sandwich panels onto steel beams
Fastening of profile sheets onto steel beams

Component 1 (t_i)

Steel¹⁾

0.4–1.5

Component 2 (t_{ii})

Steel

3.0–14.0

¹⁾ Cover sheet in case of sandwich panel

Fastener material

Austenitic stainless steel A4, hardened tip
Sealing washer: Austenitic stainless steel A4, EPDM-seal

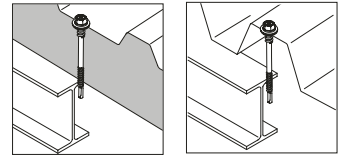
Approvals



Features and Benefits

- High drilling performance for heavy steel beams
- High bending capacity for absorption of thermal expansions
- High quality EPDM-seal with long durability
- Especially suitable for fastening with load distribution plates and saddle washers

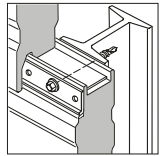
All measures in mm



Fastener in A4

Product code	PU	L	CL _{met}	t _{fix, met}	S16/A4	S19/A4
SX16-S19/A4-5,8×90-A4	100	90	32-58	32-58-t _{II}	1649696	1649711
SX16-S19/A4-5,8×110-A4		110	42-78	42-78-t _{II}	1649697	1649712
SX16-S19/A4-5,8×130-A4		130	52-98	52-98-t _{II}	1649698	1649713
SX16-S19/A4-5,8×150-A4		150	72-118	72-118-t _{II}	1649700	1679714
SX16-S19/A4-5,8×170-A4		170	92-138	92-138-t _{II}	1649703	1649715
SX16-S19/A4-5,8×200-A4		200	112-168	112-168-t _{II}	1649704	1649716
SX16-S19/A4-5,8×230-A4		230	142-198	142-198-t _{II}	1649705	1649717
SX16-S19/A4-5,8×260-A4		260	172-228	172-228-t _{II}	1649709	1649718

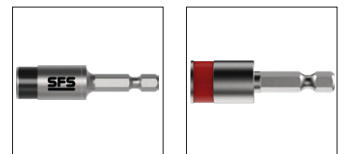
Please refer to the "Definition of clamping range and fixing thickness" in the technical introduction for definitions and diagrams related to CL_{met} and t_{fix, met}.



Fastener in A4

Product code	PU	L	CL _{met}	t _{fix, met}	no washer
SX16-5,8×90-A4	100	90	35-61	35-61-t _{II}	1649686
SX16-5,8×110-A4		110	45-81	45-81-t _{II}	1649687
SX16-5,8×130-A4		130	55-101	55-101-t _{II}	1649688
SX16-5,8×150-A4		150	75-121	75-121-t _{II}	1649690
SX16-5,8×170-A4		170	95-141	95-141-t _{II}	1649691
SX16-5,8×200-A4		200	115-171	115-171-t _{II}	1649692
SX16-5,8×230-A4		230	145-201	145-201-t _{II}	1649694
SX16-5,8×260-A4		260	175-231	175-231-t _{II}	1649695

Please refer to the "Definition of clamping range and fixing thickness" in the technical introduction for definitions and diagrams related to CL_{met} and t_{fix, met}.



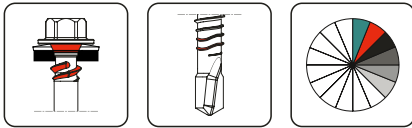
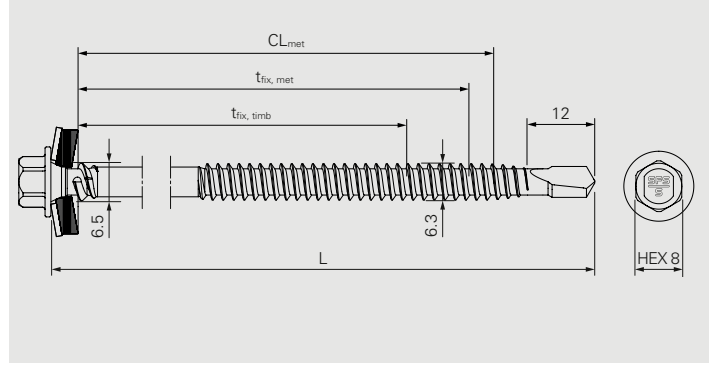
Accessories

Product description	PU	Insert drive	Recess	L	
SOK-IT-¼"-57-6Nm	1	HEX¼"	HEX8	57	1667323
Socket E308-¼"-50				50	1646160

All measures in mm

All information is non-binding and without guarantee. Before using the products, all specifications and calculations must be checked by a suitably qualified person and local regulations must be observed. This document is subject to revision. We reserve the right to make technical changes.

SXC5-6.3-A2/A4



Description

Self-drilling fastener made of stainless steel with support thread and sealing washer
 Double support thread with free-spin zone and cut-off thread-end

Application

- Fastening of sandwich panels onto metal profiles
- Fastening of sandwich panels onto timber
- Fastening of profile sheets onto metal profiles
- Fastening of profile sheets onto timber

Component 1 (t_i)

Steel¹⁾ 0.4–1.5

Component 2 (t_{ii})

Steel	1.0–4.0
Steel	2×0.75–2.5
Timber	l _{ef} ≥ 25

¹⁾ Cover sheet in case of sandwich panel

Fastener material

Austenitic stainless steel A2/A4, hardened tip
 Sealing washer: Austenitic stainless steel A2/A4, EPDM-seal

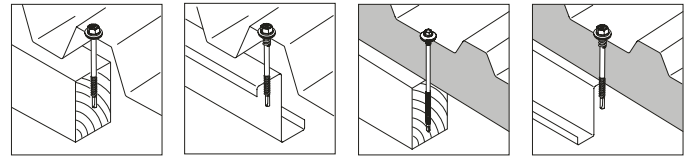
Features and Benefits

- Fastener design for high technical values in the application
- Perfect support function by double support thread
- Long drill point for easy drilling through overlapped metal profiles
- High bending capacity for absorption of thermal expansions
- High quality EPDM-seal with long durability

Approvals



All measures in mm



Fastener in A2

Product code	PU	L	CL _{met}	t _{fix, met}	t _{fix, timb}	S16	S19	S22
SXC5-S19-6,3×65-A2	100	65	15–40	15–40-t _{fl}	0–25	1683967	1684006	1684007
SXC5-S19-6,3×80-A2		80	30–55	30–55-t _{fl}	15–40	1573397	1573583	1573732
SXC5-S19-6,3×100-A2		100	40–75	40–75-t _{fl}	25–60	1573398	1573584	1573734
SXC5-S19-6,3×120-A2		120	50–95	50–95-t _{fl}	35–80	1573400	1573585	1573736
SXC5-S19-6,3×140-A2		140	70–115	70–115-t _{fl}	55–100	1573411	1573586	1573738
SXC5-S19-6,3×160-A2		160	90–135	90–135-t _{fl}	75–120	1573414	1573587	1573740
SXC5-S19-6,3×190-A2		190	110–165	110–165-t _{fl}	95–150	1573415	1573588	1573751
SXC5-S19-6,3×220-A2		220	140–195	140–195-t _{fl}	125–180	1573416	1573590	1573762
SXC5-S19-6,3×250-A2		250	170–225	170–225-t _{fl}	155–210	1573417	1573591	1573768
SXC5-S19-6,3×290-A2		290	210–265	210–265-t _{fl}	195–250	1573418	1573592	1573773

Please refer to the "Definition of clamping range and fixing thickness" in the technical introduction for definitions and diagrams related to CL_{met}, t_{fix, met} and t_{fix, timb}.

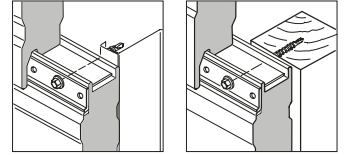
Fastener in A4

Product code	PU	L	CL _{met}	t _{fix, met}	t _{fix, timb}	S16/A4	S19/A4	S22/A4
SXC5-S19/A4-6,3×80-A4	100	80	30–55	30–55-t _{fl}	15–40	1599990	1600001	1600003
SXC5-S19/A4-6,3×100-A4		100	40–75	40–75-t _{fl}	25–60	1600005	1600007	1600009
SXC5-S19/A4-6,3×120-A4		120	50–95	50–95-t _{fl}	35–80	1600022	1600023	1600024
SXC5-S19/A4-6,3×140-A4		140	70–115	70–115-t _{fl}	55–100	1600026	1600027	1600028
SXC5-S19/A4-6,3×160-A4		160	90–135	90–135-t _{fl}	75–120	1600042	1600043	1600044
SXC5-S19/A4-6,3×190-A4		190	110–165	110–165-t _{fl}	95–150	1600047	1600049	1600051
SXC5-S19/A4-6,3×220-A4		220	140–195	140–195-t _{fl}	125–180	1600055	1600056	1600057
SXC5-S19/A4-6,3×250-A4		250	170–225	170–225-t _{fl}	155–210	1600059	1600064	1600071
SXC5-S19/A4-6,3×290-A4		290	210–265	210–265-t _{fl}	195–250	1600078	1600080	1600134
SXC5-S19/A4-6,3×345-A4		345	265–320	265–320-t _{fl}	250–305	1600140	1600161	1600166

Please refer to the "Definition of clamping range and fixing thickness" in the technical introduction for definitions and diagrams related to CL_{met}, t_{fix, met} and t_{fix, timb}.

All measures in mm

All information is non-binding and without guarantee. Before using the products, all specifications and calculations must be checked by a suitably qualified person and local regulations must be observed. This document is subject to revision. We reserve the right to make technical changes.



Fastener in A2

Product code	PU	L	CL _{met}	t _{fix, met}	t _{fix, timb}	no washer
SXC5-6,3×65-A2	100	65	18-43	18-43-t _{II}	3-28	1661978
SXC5-6,3×80-A2		80	33-58	33-58-t _{II}	18-43	1599843
SXC5-6,3×100-A2		100	43-78	43-78-t _{II}	28-63	1599844
SXC5-6,3×120-A2		120	53-98	53-98-t _{II}	38-83	1599847
SXC5-6,3×140-A2		140	73-118	73-118-t _{II}	58-103	1599848
SXC5-6,3×160-A2		160	93-138	93-138-t _{II}	78-123	1599851
SXC5-6,3×190-A2		190	113-168	113-168-t _{II}	98-153	1599857
SXC5-6,3×220-A2		220	143-198	143-198-t _{II}	128-183	1599859
SXC5-6,3×250-A2		250	173-228	173-228-t _{II}	158-213	1599860
SXC5-6,3×290-A2		290	213-268	213-268-t _{II}	198-253	1599871

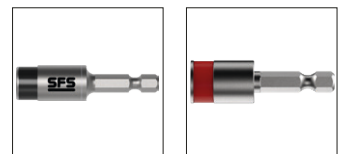
Please refer to the "Definition of clamping range and fixing thickness" in the technical introduction for definitions and diagrams related to CL_{met}, t_{fix, met} and t_{fix, timb}.

Fastener in A4

Product code	PU	L	CL _{met}	t _{fix, met}	t _{fix, timb}	no washer
SXC5-6,3×80-A4	100	80	33-58	33-58-t _{II}	18-43	1600004
SXC5-6,3×100-A4		100	43-78	43-78-t _{II}	28-63	1600010
SXC5-6,3×120-A4		120	53-98	53-98-t _{II}	38-83	1600025
SXC5-6,3×140-A4		140	73-118	73-118-t _{II}	58-103	1600029
SXC5-6,3×160-A4		160	93-138	93-138-t _{II}	78-123	1600045
SXC5-6,3×190-A4		190	113-168	113-168-t _{II}	98-153	1600052
SXC5-6,3×220-A4		220	143-198	143-198-t _{II}	128-183	1600058
SXC5-6,3×250-A4		250	173-228	173-228-t _{II}	158-213	1600073
SXC5-6,3×290-A4		290	213-268	213-268-t _{II}	198-253	1600137
SXC5-6,3×345-A4		345	268-323	268-323-t _{II}	253-308	1600185

Please refer to the "Definition of clamping range and fixing thickness" in the technical introduction for definitions and diagrams related to CL_{met}, t_{fix, met} and t_{fix, timb}.

Accessories

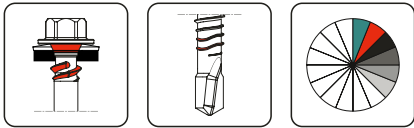
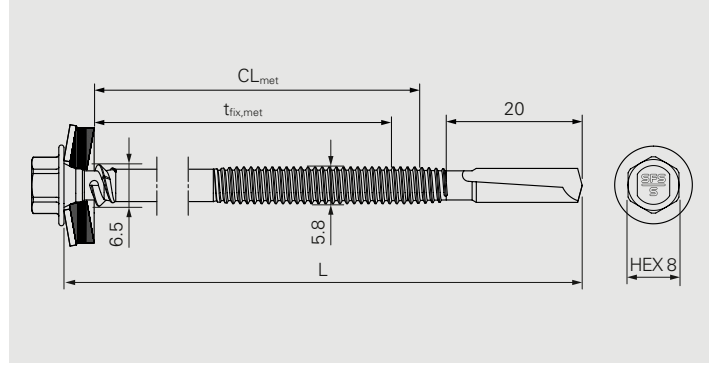
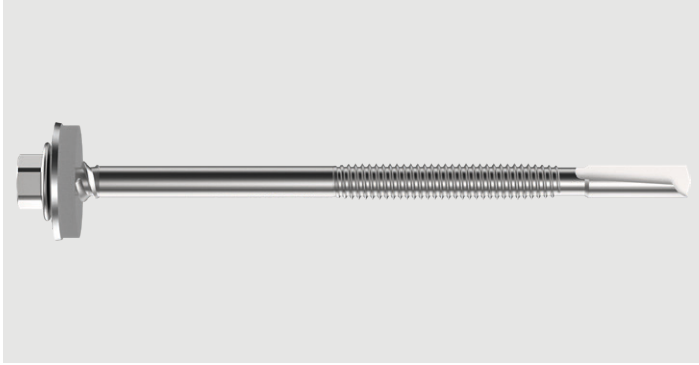


Product description	PU	Insert drive	Recess	L	no washer
SOK-IT-¼"-57-6Nm	1	HEX¼"	HEX8	57	1667323
Socket E308-¼"-50				50	1646160

All measures in mm



SXC16-5.8-A2/A4



Description

Self-drilling fastener made of stainless steel with support thread and sealing washer
 Double support thread with free-spin zone and cut-off thread-end

Application

Fastening of sandwich panels onto steel beams
 Fastening of profile sheets onto steel beams

Component 1 (t_i)

Steel¹⁾

0.4–1.5

Component 2 (t_{ii})

Steel

3.0–14.0

¹⁾ Cover sheet in case of sandwich panel

Fastener material

Austenitic stainless steel A2/A4, hardened tip
 Sealing washer: Austenitic stainless steel A2/A4, EPDM-seal

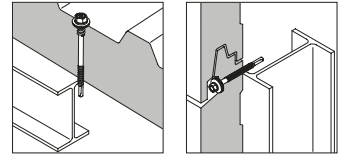
Features and Benefits

- High drilling performance for heavy steel beams
- Perfect support function by double support thread
- High bending capacity for absorption of thermal expansions
- High quality EPDM-seal with long durability

Approvals



All measures in mm



Fastener in A2

Product code	PU	L	CL _{met}	t _{fix, met}	S16	S19	S22
SXC16-S19-5,8×90-A2	100	90	32-58	32-58-t _{II}	1573419	1573595	1573774
SXC16-S19-5,8×110-A2		110	42-78	42-78-t _{II}	1573420	1573596	1573783
SXC16-S19-5,8×130-A2		130	52-98	52-98-t _{II}	1573441	1573597	1573789
SXC16-S19-5,8×150-A2		150	72-118	72-118-t _{II}	1573443	1573707	1573790
SXC16-S19-5,8×170-A2		170	92-138	92-138-t _{II}	1573445	1573709	1573859
SXC16-S19-5,8×200-A2		200	112-168	112-168-t _{II}	1573446	1573710	1573875
SXC16-S19-5,8×230-A2		230	142-198	142-198-t _{II}	1573447	1573712	1574011
SXC16-S19-5,8×260-A2		260	172-228	172-228-t _{II}	1573448	1573714	1574051
SXC16-S19-5,8×300-A2		300	212-268	212-268-t _{II}	1573450	1573715	1574054

Please refer to the "Definition of clamping range and fixing thickness" in the technical introduction for definitions and diagrams related to CL_{met}, t_{fix, met}.

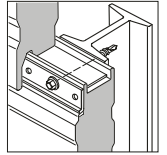
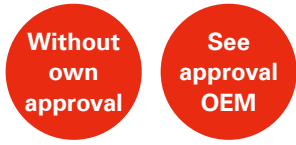
Fastener in A4

Product code	PU	L	CL _{met}	t _{fix, met}	S16/A4	S19/A4	S22/A4
SXC16-S19/A4-5,8×90-A4	100	90	32-58	32-58-t _{II}	1613574	1613558	1613576
SXC16-S19/A4-5,8×110-A4		110	42-78	42-78-t _{II}	1613594	1613595	1613596
SXC16-S19/A4-5,8×130-A4		130	52-98	52-98-t _{II}	1613602	1613603	1613604
SXC16-S19/A4-5,8×150-A4		150	72-118	72-118-t _{II}	1613606	1613607	1613608
SXC16-S19/A4-5,8×170-A4		170	92-138	92-138-t _{II}	1613622	1613623	1613626
SXC16-S19/A4-5,8×200-A4		200	112-168	112-168-t _{II}	1613693	1613694	1613695
SXC16-S19/A4-5,8×230-A4		230	142-198	142-198-t _{II}	1613699	1613707	1613708
SXC16-S19/A4-5,8×260-A4		260	172-228	172-228-t _{II}	1613711	1613712	1613713
SXC16-S19/A4-5,8×300-A4		300	212-268	212-268-t _{II}	1613720	1614801	1614803
SXC16-S19/A4-5,8×355-A4		355	267-323	267-323-t _{II}	1614805	1606472	1606474

Please refer to the "Definition of clamping range and fixing thickness" in the technical introduction for definitions and diagrams related to CL_{met}, t_{fix, met}.

All measures in mm

All information is non-binding and without guarantee. Before using the products, all specifications and calculations must be checked by a suitably qualified person and local regulations must be observed. This document is subject to revision. We reserve the right to make technical changes.



Fastener in A2

Product code	PU	L	CL _{met}	t _{fix, met}	no washer
SXC16-5,8×90-A2	100	90	35-61	35-61-t _{II}	1615954
SXC16-5,8×110-A2		110	45-81	45-81-t _{II}	1615960
SXC16-5,8×130-A2		130	55-101	55-101-t _{II}	1615963
SXC16-5,8×150-A2		150	75-121	75-121-t _{II}	1615978
SXC16-5,8×170-A2		170	95-141	95-141-t _{II}	1616036
SXC16-5,8×200-A2		200	115-171	115-171-t _{II}	1616046
SXC16-5,8×230-A2		230	145-201	145-201-t _{II}	1616051
SXC16-5,8×260-A2		260	175-231	175-231-t _{II}	1616090
SXC16-5,8×300-A2		300	215-271	215-271-t _{II}	1616112

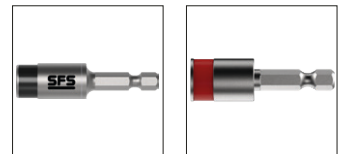
Please refer to the "Definition of clamping range and fixing thickness" in the technical introduction for definitions and diagrams related to CL_{met} and t_{fix, met}.

Fastener in A4

Product code	PU	L	CL _{met}	t _{fix, met}	no washer
SXC16-5,8×90-A4	100	90	35-61	35-61-t _{II}	1613577
SXC16-5,8×110-A4		110	45-81	45-81-t _{II}	1613600
SXC16-5,8×130-A4		130	55-101	55-101-t _{II}	1613605
SXC16-5,8×150-A4		150	75-121	75-121-t _{II}	1613609
SXC16-5,8×170-A4		170	95-141	95-141-t _{II}	1613630
SXC16-5,8×200-A4		200	115-171	115-171-t _{II}	1613697
SXC16-5,8×230-A4		230	145-201	145-201-t _{II}	1613709
SXC16-5,8×260-A4		260	175-231	175-231-t _{II}	1613717
SXC16-5,8×300-A4		300	215-271	215-271-t _{II}	1614804
SXC16-5,8×355-A4		355	270-326	270-326-t _{II}	1606471

Please refer to the "Definition of clamping range and fixing thickness" in the technical introduction for definitions and diagrams related to CL_{met} and t_{fix, met}.

Accessories

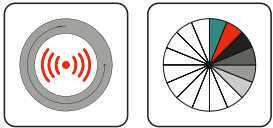
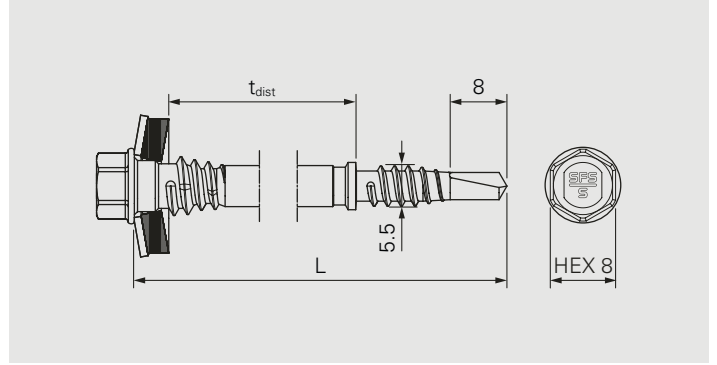
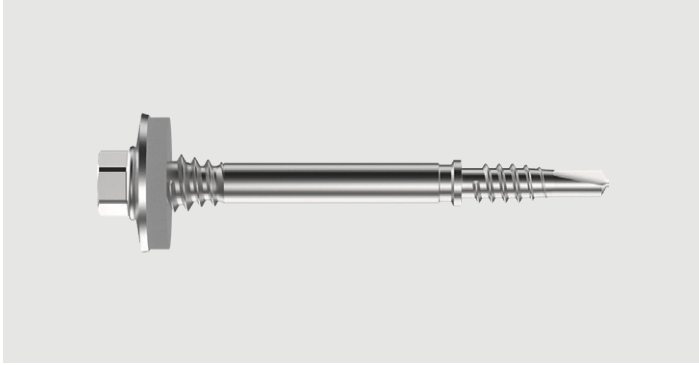


Product description	PU	Insert drive	Recess	L	
SOK-IT-¼"-57-6Nm	1	HEX¼"	HEX8	57	1667323
Socket E308-¼"-50				50	1646160

All measures in mm



SXD3-5.5-A2



Description

Self-drilling fastener made of stainless steel with support thread, shank flange, free-spin zone and sealing washer
Wide support thread with free-spin zone and cut-off thread-end

The system fastener SXD3 can only be purchased through Rockwool or Saint-Gobain Isover in Germany.

Application

Distance fastening of profile sheets onto liner trays

Component 1 (t_i)

Steel ¹⁾	0.63–1.5
Aluminium ¹⁾	0.8–1.5

Component 2 (t_{ii})

Steel	1.0–1.5
Steel	2×0.75–1.25

¹⁾ Pre-drill Ø 6.5

Fastener material

Austenitic stainless steel A2, hardened tip
Sealing washer: Austenitic stainless steel A2, EPDM-seal

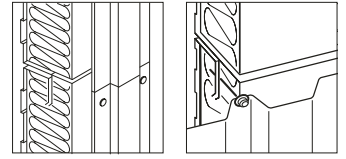
Features and Benefits

- Precisely fastening distance by shank flange as distance element
- Perfect support function by wide support thread
- No torque control required thanks to the free-spin zone
- Comfortable installation without overwinding risk
- High security against unwinding by the cut-off thread-end
- High quality EPDM-seal with long durability

Approvals



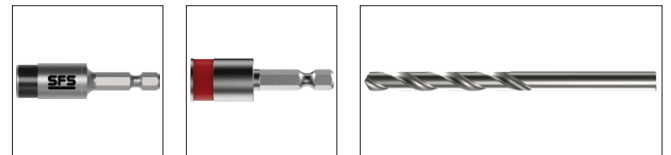
All measures in mm



Fastener in A2

Product code	PU	L	t _{dist}	S16
SXD3-S16-5,5×64-A2	100	64	40	1526645
SXD3-S16-5,5×104-A2	250	104	80	1541205

Please refer to the "Definition of clamping range and fixing thickness" in the technical introduction for definitions and diagrams related to t_{dist}.



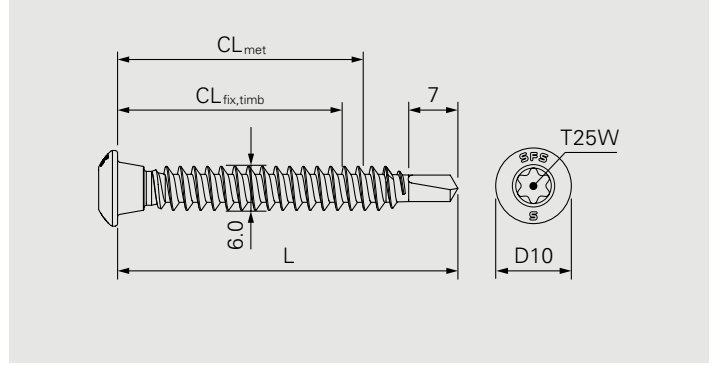
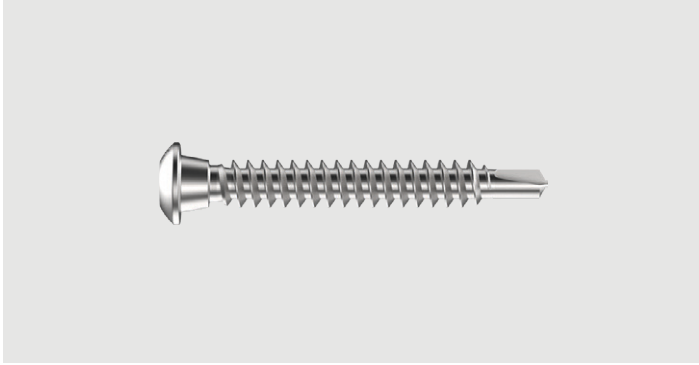
Accessories

Product description	PU	Insert Drive	Recess	L	
SOK-IT-¼"-57-6Nm	1	HEX¼"	HEX8	57	1667323
Socket E308-¼"-50				50	1646160
HSS-6,5×101/63		-	-	101/63	893457

All measures in mm

All information is non-binding and without guarantee. Before using the products, all specifications and calculations must be checked by a suitably qualified person and local regulations must be observed. This document is subject to revision. We reserve the right to make technical changes.

SXK2-6.0-A2



Description

Self-drilling fastener made of stainless steel with clamping cone

Application

Fastening of standing seam clips onto metal decks
Fastening of standing seam clips onto timber

Component 1 (t₁)

Clip¹⁾

≥5.0

Component 2 (t₁₁)

Steel

0.75–1.25

Aluminium

1.0–2.0

Timber

$l_{ef} \geq 18$

¹⁾Clearance hole \varnothing 6.1

Fastener material

Austenitic stainless steel A2, hardened tip

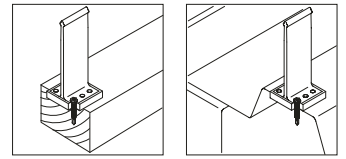
Features and Benefits

- Fastener design for high technical values in the application
- No risk of overwinding by the clamping cone with torque stop function
- High security against self-loosening by the high tightening torque

Approvals



All measures in mm



Fastener in A2

Product code	PU	L	CL _{met}	t _{fix, timb}	
SXK2-D10-6,0x35-A2	250	35	5-21	-	1615850
SXK2-D10-6,0x45-A2		45	5-31	5-20	1615848
SXK2-D10-6,0x60-A2		60	5-46	5-35	1705525

Please refer to the "Definition of clamping range and fixing thickness" in the technical introduction for definitions and diagrams related to CL_{met} and t_{fix, timb}.
 Bit T25W-25-HEX¼" included in each package



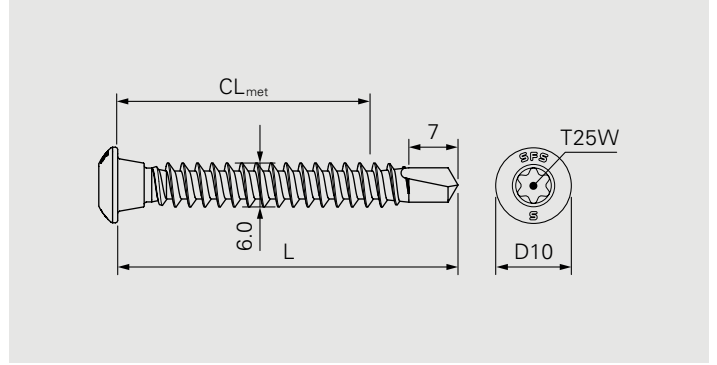
Accessories

Product description	PU	Insert drive	Recess	L	
Bit holder ZA¼"-58	1	HEX¼"	HEX¼"	58	1162306
Bit holder ZA¼"-300				300	1741261
Bit T25W-25-HEX¼"			T25W	25	included in each package 7662
Bit T25W-175-HEX¼"				175	727979

All measures in mm

All information is non-binding and without guarantee. Before using the products, all specifications and calculations must be checked by a suitably qualified person and local regulations must be observed. This document is subject to revision. We reserve the right to make technical changes.

SXK3-6.0-A2



Description

Self-drilling fastener made of stainless steel with clamping cone

Application

Fastening of standing seam clips onto metal profiles

Component 1 (t₁)

Clip¹⁾

≥5.0

Component 2 (t₁₁)

Steel

1.25–2.5

Aluminium

2.0–3.0

¹⁾Clearance hole Ø 6.1

Fastener material

Austenitic stainless steel A2, hardened tip

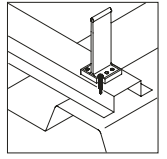
Features and Benefits

- Fastener design for high technical values in the application
- No risk of overwinding by the clamping cone with torque stop function
- High security against self-loosening by the high tightening torque

Approvals



All measures in mm



Fastener in A2

Product code	PU	L	CL _{met}	
SXK3-D10-6,0x30-A2	250	30	5-16	1615844
SXK3-D10-6,0x45-A2		45	5-31	1615846

Please refer to the "Definition of clamping range and fixing thickness" in the technical introduction for definitions and diagrams related to CL_{met}.

Bit T25W-25-HEX $\frac{1}{4}$ " included in each package



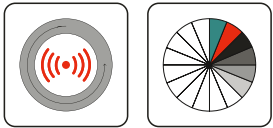
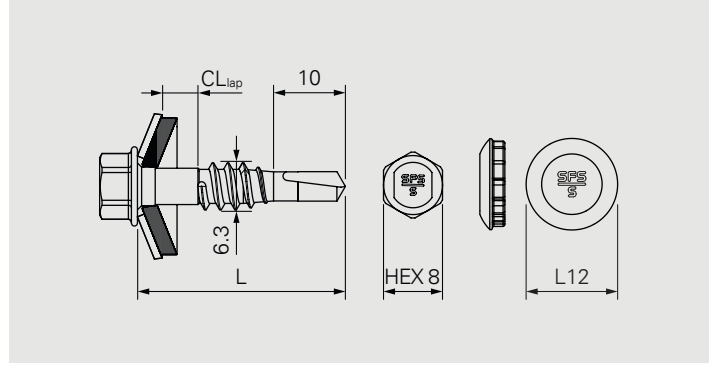
Accessories

Product description	PU	Insert drive	Recess	L	
Bit holder ZA $\frac{1}{4}$ "-58	1	HEX $\frac{1}{4}$ "	HEX $\frac{1}{4}$ "	58	1162306
Bit holder ZA $\frac{1}{4}$ "-300				300	1741261
Bit T25W-25-HEX $\frac{1}{4}$ "			T25W	25	included in each package 7662
Bit T25W-175-HEX $\frac{1}{4}$ "				175	727979

All measures in mm

All information is non-binding and without guarantee. Before using the products, all specifications and calculations must be checked by a suitably qualified person and local regulations must be observed. This document is subject to revision. We reserve the right to make technical changes.

SXL2-6.3-A2/A4



Description

Self-drilling fastener made of stainless steel with free-spin zone and sealing washer

Application

- Fastening of overlaps of profile sheets
- Fastening of overlaps of sandwich panels
- Fastening of flashings onto sandwich panels
- Fastening of flashings onto profile sheets

Component 1 (t₁)

Steel	0.4–1.5
Steel	2×0.4–0.88
Aluminium	0.5–1.5

Component 2 (t_{II})

Steel	0.4–1.5
Steel	2×0.4–0.88
Aluminium	0.5–1.5

Condition: Total thickness within CL_{lap}

Fastener material

Austenitic stainless steel A2/A4, hardened tip
Sealing washer: Aluminium, EPDM-seal

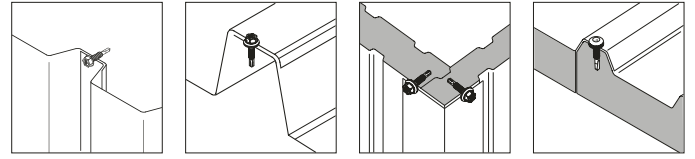
Features and Benefits

- No torque control required thanks to the free-spin zone
- Comfortable installation without overwinding risk
- High security against unwinding by the cut-off thread-end
- Special AV-shaped sealing washer for high clamping range
- High quality EPDM-seal with long durability

Approvals



All measures in mm



Fastener in A2

Product code	PU	L	CL _{lap}	AV14	AV16	AV19
SXL2-AV14-6,3×26-A2	100	26	0.8–3.5	1748183	1748186	–
SXL2-AV14-6,3×26-A2	500			1748188	1748189	
SXL2-AV19-6,3×28-A2	100	28	3.0–6.5	–	–	1747702
SXL2-AV19-6,3×28-A2	500					1747732

Please refer to the "Definition of clamping range and fixing thickness" in the technical introduction for definitions and diagrams related to CL_{lap}.

Fastener in A4

Product code	PU	L	CL _{lap}	AV14	AV16	AV19
SXL2-AV14-6,3×26-A4	100	26	0.8–3.5	1748185	1748191	–
SXL2-AV14-6,3×26-A4	500			1748192	1748205	
SXL2-L12-AV14-6.3×26-A4	100	26	0.8–3.5	1749182	–	–
SXL2-L12-AV14-6.3×26-A4	500			1749170		
SXL2-AV19-6.3×28-A4	100	28	3.0–6.5	–	–	1747703
SXL2-AV19-6.3×28-A4	500					1747733

Please refer to the "Definition of clamping range and fixing thickness" in the technical introduction for definitions and diagrams related to CL_{lap}.



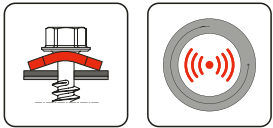
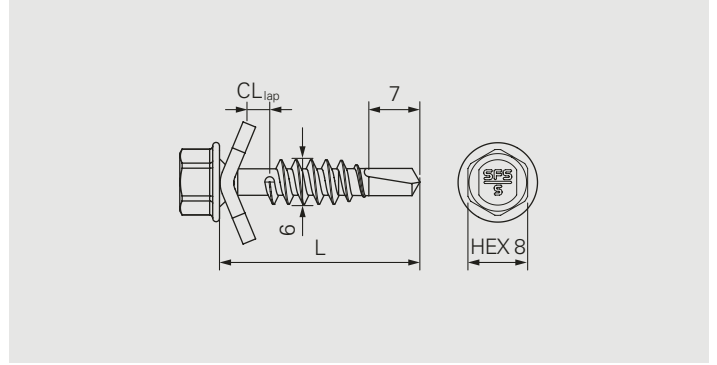
Accessories

Product description	PU	Insert drive	Recess	L	
SOK-IT-¼"-57-6Nm	1	HEX¼"	HEX8	57	1667323
Socket E308-¼"-50				50	1646160
Socket E420-¼"-74			74	973316	

All measures in mm

All information is non-binding and without guarantee. Before using the products, all specifications and calculations must be checked by a suitably qualified person and local regulations must be observed. This document is subject to revision. We reserve the right to make technical changes.

SXL3-6.0-A2/A4



Description

Self-drilling fastener made of stainless steel with free-spin zone and curved spring disc

Application

Fastening of metal profiles onto metal decks

Component 1 (t₁)

Steel	1.0–2.0
Aluminium	1.0–3.0

Component 2 (t_{II})

Steel	0.63–1.5
Steel	2×0.63–0.88

Condition: Total thickness within CL_{lap}

Fastener material

Austenitic stainless steel A2/A4, hardened tip
Curved disc: Austenitic stainless steel A2/A4

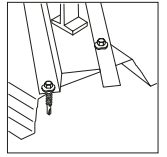
Features and Benefits

- Fastener design for high technical values in the application
- Special SV-shaped disc for high clamping range with application-independent clamping force
- No torque control required thanks to the free-spin zone
- Comfortable installation without overwinding risk
- High security against unwinding by the cut-off thread-end

Approvals



All measures in mm



Fastener in A2

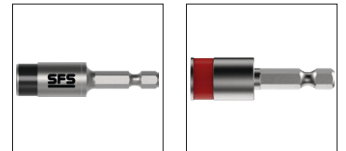
Product code	PU	L	CL _{lap}	SV16
SXL3-SV16-6,0x27-A2	500	27	1.9-4.8	1794614

Please refer to the "Definition of clamping range and fixing thickness" in the technical introduction for definitions and diagrams related to CL_{lap}.

Fastener in A4

Product code	PU	L	CL _{lap}	SV16/A4
SXL3-SV16/A4-6,0x27-A4	500	27	1.9-4.8	1794620

Please refer to the "Definition of clamping range and fixing thickness" in the technical introduction for definitions and diagrams related to CL_{lap}.



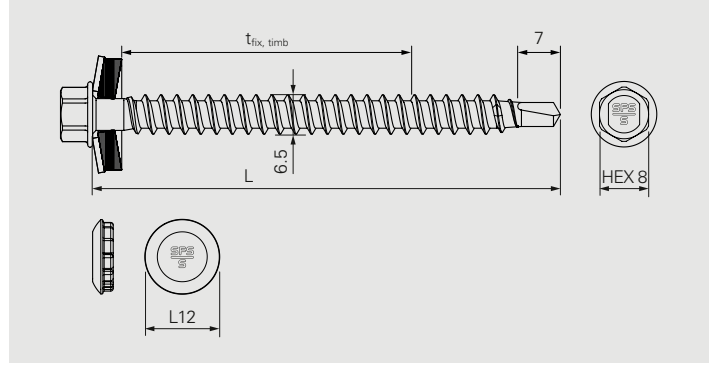
Accessories

Product description	PU	Insert drive	Recess	L	
SOK-IT-¼"-57-6Nm	1	HEX¼"	HEX8	57	1667323
Socket E308-¼"-50				50	1646160

All measures in mm

All information is non-binding and without guarantee. Before using the products, all specifications and calculations must be checked by a suitably qualified person and local regulations must be observed. This document is subject to revision. We reserve the right to make technical changes.

SXW-6.5-A2



Description

Self-drilling fastener made of stainless steel with sealing washer

Application

Fastening of profile sheets onto timber

Component 1 (t_i)

Steel	0.5–1.5
Aluminium	0.5–1.5

Component 2 (t_{ii})

Timber	$l_{ef} \geq 35$
--------	------------------

Fastener material

Austenitic stainless steel A2, hardened tip

Sealing washer: Austenitic stainless steel A2, EPDM-seal

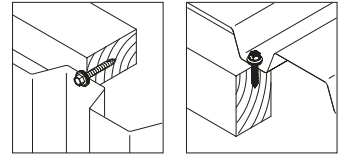
Features and Benefits

- High quality EPDM-seal with long durability

Approvals



All measures in mm



Fastener in A2

Product code	PU	L	t _{fix, timb}	S16	S19
SXW-S16-6,5x52-A2	250	52	0-7	1123138	1123139
SXW-S16-6,5x75-A2		75	0-30	1069319	1107866
SXW-S16-6,5x99-A2		99	4-54	1110537	1098610
SXW-L12-S16-6,5x52-A2	250	52	0-7	-	1133037

Please refer to the "Definition of clamping range and fixing thickness" in the technical introduction for definitions and diagrams related to t_{fix, timb}.
Please note that fastener lengths ≥ 75 are not paintable.

Accessories

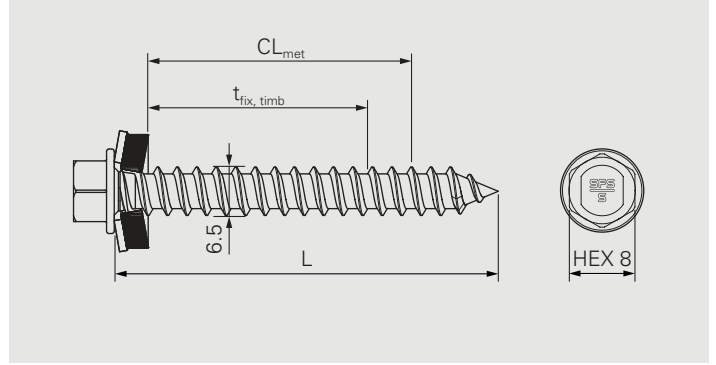


Product description	PU	Insert drive	Recess	L	
SOK-IT-¼"-57-6Nm	1	HEX ¼"	HEX8	57	1667323
Socket E308-¼"-50				50	1646160
Socket E420-¼"-74			74	973316	

All measures in mm

All information is non-binding and without guarantee. Before using the products, all specifications and calculations must be checked by a suitably qualified person and local regulations must be observed. This document is subject to revision. We reserve the right to make technical changes.

TDA-S-6.5-A2



Description

Self-tapping fastener made of stainless steel with sealing washer

Application

- Fastening of profile sheets onto metal profiles
- Fastening of profile sheets onto timber
- Fastening of sandwich panels onto metal profiles
- Fastening of sandwich panels onto timber

Component 1 (t _i)		Component 2 (t _{ii})	
Steel ¹⁾	0.4–1.5	Steel	0.63–3.0
Aluminium	0.5–1.5	Steel	2×0.75–1.5
		Aluminium	1.0–3.0
		Timber	l _p ≥ 35

Pre-drill Ø see table

¹⁾Cover sheet in case of sandwich panel

Fastener material

Austenitic stainless steel A2

Sealing washer: Austenitic stainless steel A2, EPDM-seal

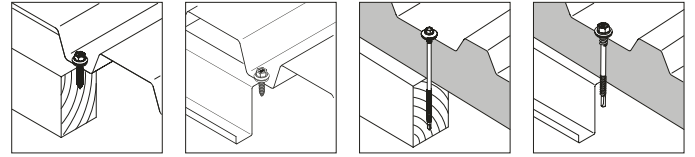
Features and Benefits

- Multifunctional fastener for a variety of applications
- High quality EPDM-seal with long durability

Approvals



All measures in mm



Fastener in A2

Product code	PU	L	CL _{met}	t _{fix, timb}	S16	S19	S22
TDA-S-S16-6,5×20-A2	500	20	0–10	–	1526324	1526378	1526739
TDA-S-S16-6,5×25-A2		25	0–15		6760	6680	6713
TDA-S-S16-6,5×32-A2		32	0–22		6761	6681	6714
TDA-S-S16-6,5×40-A2	250	40	0–30	0–5	1526325	1526379	1526751
TDA-S-S16-6,5×50-A2		50	0–40		6764	6684	6717
TDA-S-S16-6,5×60-A2		60	0–50		1526326	1526391	1526752
TDA-S-S16-6,5×80-A2		80	3–70		1526328	1526392	1526753
TDA-S-S16-6,5×100-A2	100	100	23–90	8–55	6768	6688	6721
TDA-S-S16-6,5×120-A2		120	43–110	28–75	1526330	1526393	1526754
TDA-S-S16-6,5×140-A2		140	63–130	48–95	1526342	1526394	1526756
TDA-S-S16-6,5×160-A2		160	83–150	68–115	1526344	1526395	1526758
TDA-S-S16-6,5×180-A2		180	103–170	88–135	1526346	1526396	1526771
TDA-S-S16-6,5×200-A2		200	123–190	108–155	1526347	1526397	1526774
TDA-S-S16-6,5×220-A2		220	143–210	128–175	1526348	1526398	1526776
TDA-S-S16-6,5×260-A2		260	183–250	168–215	1526349	1526399	1526779

Please refer to the "Definition of clamping range and fixing thickness" in the technical introduction for definitions and diagrams related to CL_{met} and t_{fix, timb}.

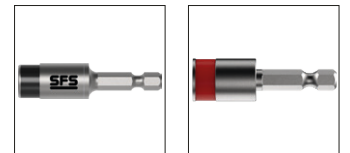
All measures in mm

All information is non-binding and without guarantee. Before using the products, all specifications and calculations must be checked by a suitably qualified person and local regulations must be observed. This document is subject to revision. We reserve the right to make technical changes.

Pre-drill diameter

Component 1 (t _i)		Component 2 (t _{II})		Pre-drill Ø
Steel	0.4–1.5	Steel	0.63	3.5
Aluminium	0.5–1.5		0.75	4.0
			0.88–1.25	4.5
			1.5–3.0	5.0
			2×0.75–1.0	4.0
			2×1.25–1.5	4.5
		Timber	l _p > 35	4.0
		Aluminium	1.0–1.5	4.5
			2.0–2.5	5.0
			3.0	5.3

For information regarding the material quality of the components, please refer to the ETA approval.



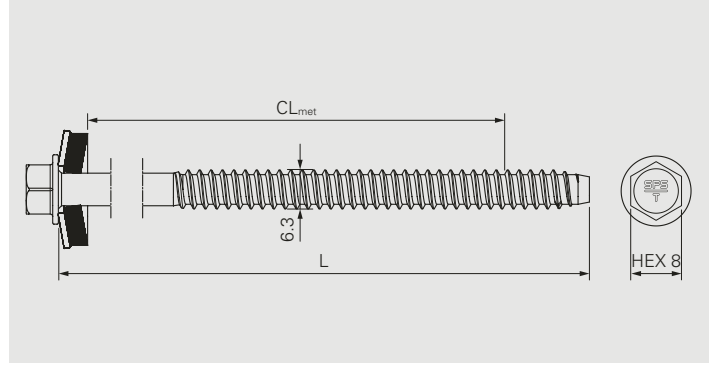
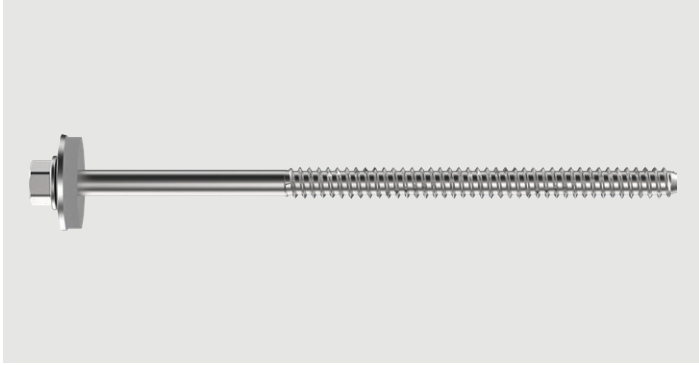
Accessories

Product description	PU	Insert drive	Recess	L	
SOK-IT-¼"-57-6Nm	1	HEX¼"	HEX8	57	1667323
Socket E308-¼"-50				50	1646160

All measures in mm



TDB-S-6.3-A2/A4



Description

Self-tapping fastener made of stainless steel with sealing washer

Application

- Fastening of profile sheets onto metal profiles
- Fastening of profile sheets onto steel beams
- Fastening of sandwich panels onto metal profiles
- Fastening of sandwich panels onto steel beams

Component 1 (t _i)		Component 2 (t _{ii})	
Steel ¹⁾	0.4–1.5	Steel	≥1.25
Aluminium	0.5–1.5	Aluminium	≥1.5

Pre-drill Ø see table

¹⁾Cover sheet in case of sandwich panel

Fastener material

Austenitic stainless steel A2/A4

Sealing washer: Austenitic stainless steel A2/A4, EPDM-seal

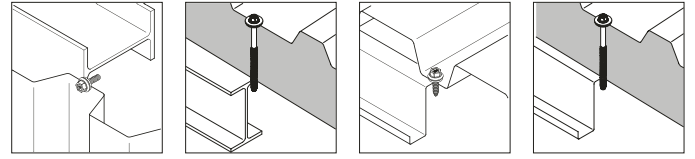
Features and Benefits

- Multifunctional fastener for a variety of applications
- High quality EPDM-seal with long durability

Approvals



All measures in mm



Fastener in A2

Product code	PU	L	CL _{met}	S16	S19	S22
TDB-S-S16-6,3×20-A2	500	20	0–12	1526350	1526400	1526792
TDB-S-S16-6,3×25-A2		25	0–17	1021650	1021647	1063057
TDB-S-S16-6,3×32-A2		32	0–24	1021659	1063816	1045402
TDB-S-S16-6,3×40-A2	250	40	0–32	1526352	1526401	1526781
TDB-S-S16-6,3×50-A2		50	0–42	1022745	1022746	1045407
TDB-S-S16-6,3×60-A2		60	0–52	1526353	1526402	1526783
TDB-S-S16-6,3×80-A2		80	2–72	1526354	1526403	1526785
TDB-S-S16-6,3×100-A2	100	100	22–92	1022759	1022758	1051692
TDB-S-S16-6,3×120-A2		120	42–112	1526355	1526405	1526786
TDB-S-S16-6,3×140-A2		140	62–132	1526356	1526406	1526787
TDB-S-S16-6,3×160-A2		160	82–152	1526357	1526407	1526788
TDB-S-S16-6,3×180-A2		180	102–172	1526359	1526408	1526789
TDB-S-S16-6,3×200-A2		200	122–192	1270144	1191450	1284314
TDB-S-S16-6,3×220-A2		220	142–212	1191440	1194640	1226694
TDB-S-S16-6,3×260-A2		260	182–252	1526371	1526410	1526791

Please refer to the "Definition of clamping range and fixing thickness" in the technical introduction for definitions and diagrams related to CL_{met}.

Fastener in A4

Product code	PU	L	CL _{met}	S16/A4	S19/A4
TDB-S16/A4-6,3×20-A4	500	20	0–12	1489455	1676198
TDB-S16/A4-6,3×25-A4		25	0–17	1479523	1596647
TDB-S16/A4-6,3×40-A4	250	40	0–32	1614055	1614052

Please refer to the "Definition of clamping range and fixing thickness" in the technical introduction for definitions and diagrams related to CL_{met}.

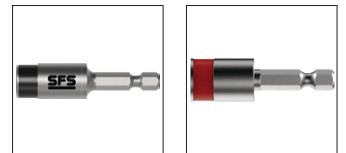
All measures in mm

All information is non-binding and without guarantee. Before using the products, all specifications and calculations must be checked by a suitably qualified person and local regulations must be observed. This document is subject to revision. We reserve the right to make technical changes.

Pre-drill diameter

Component 1 (t _i)		Component 2 (t _{ii})		Pre-drill Ø
Steel	0.4–1.5	Steel	1.25–1.5	5.0
Aluminium	0.5–1.5		2.0–4.5	5.3
			5.0–6.5	5.5
			7.0–10.0	5.7
			>10.0	5.8
Aluminium		1.5	4.5	
		2.0–3.0	5.0	
		3.5–5.0	5.3	
		>5.0	5.5	

For information regarding the material quality of the components , please refer to the ETA approval.



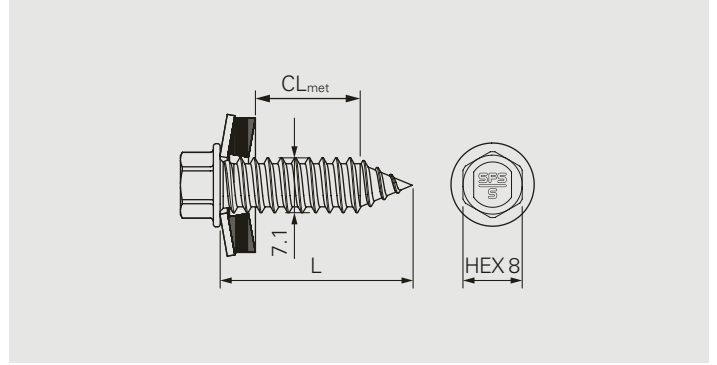
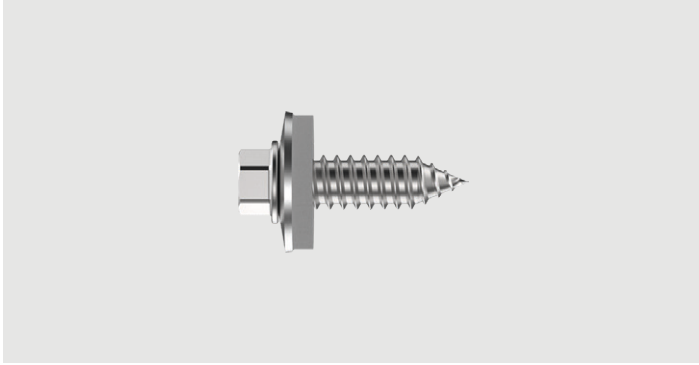
Accessories

Product description	PU	Insert drive	Recess	L	
SOK-IT-¼"-57-6Nm	1	HEX¼"	HEX8	57	1667323
Socket E308-¼"-50				50	1646160

All measures in mm



TDC-S-7.1-A2



Description

Self-tapping fastener made of stainless steel with sealing washer

Application

Replacement of overwinded fasteners
Fastening of profile sheets onto metal profiles

Component 1 (t_i)

Steel	0.5–1.5
Aluminium	0.5–1.5
Pre-drill Ø 6.5	

Component 2 (t_{ii})

Steel	0.63–3.0
Aluminium	1.0–3.0

Fastener material

Austenitic stainless steel A2
Sealing washer: Austenitic stainless steel A2, EPDM-seal

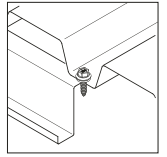
Features and Benefits

- High quality EPDM-seal with long durability

Approvals



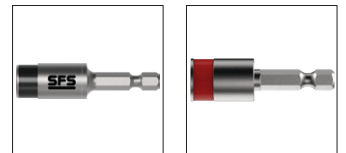
All measures in mm



Fastener in A2

Product code	PU	L	CL _{met}	S19
TDC-S19-7,1x25-A2	500	25	0-14	1066788

Please refer to the "Definition of clamping range and fixing thickness" in the technical introduction for definitions and diagrams related to CL_{met}.

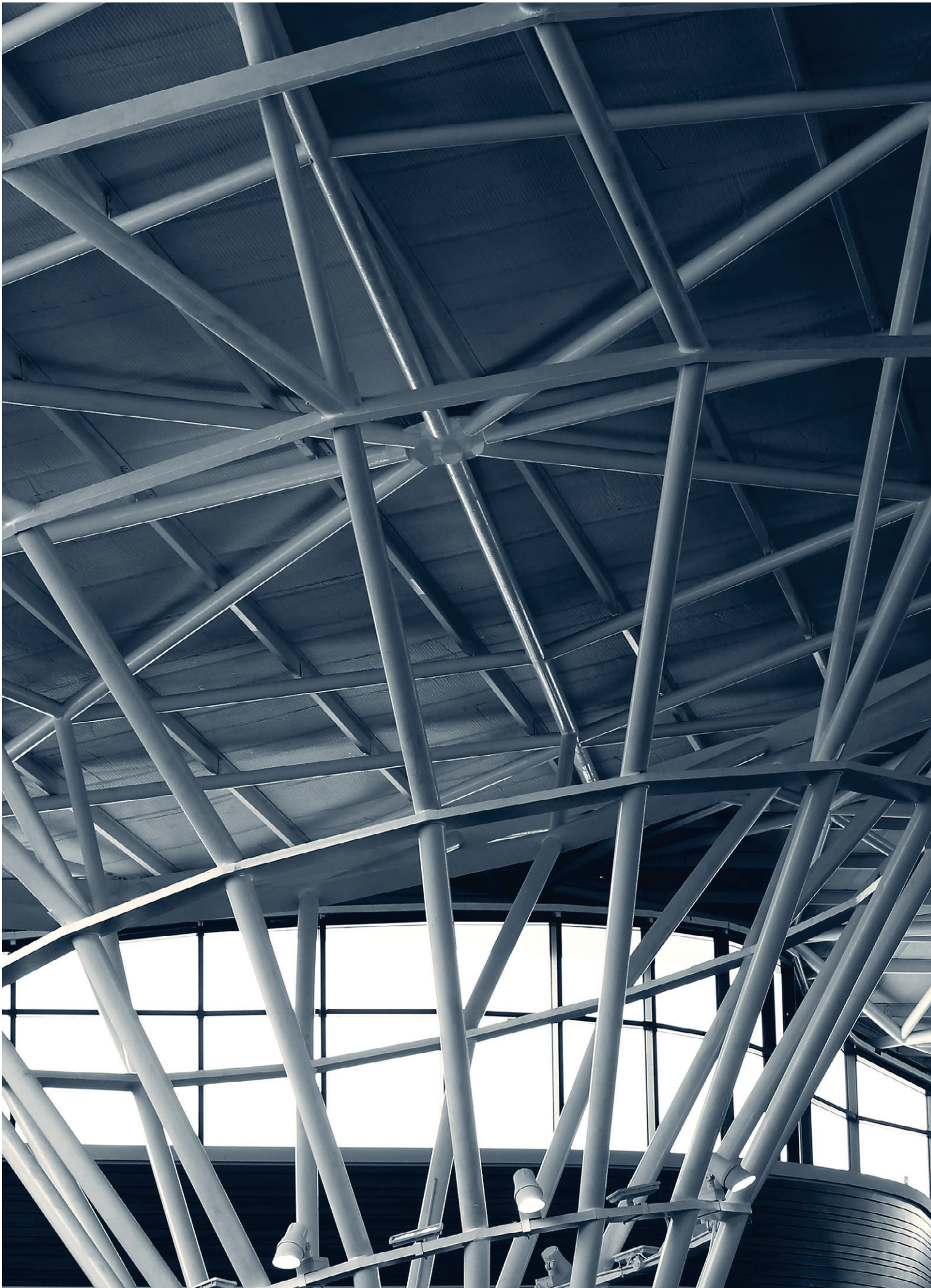


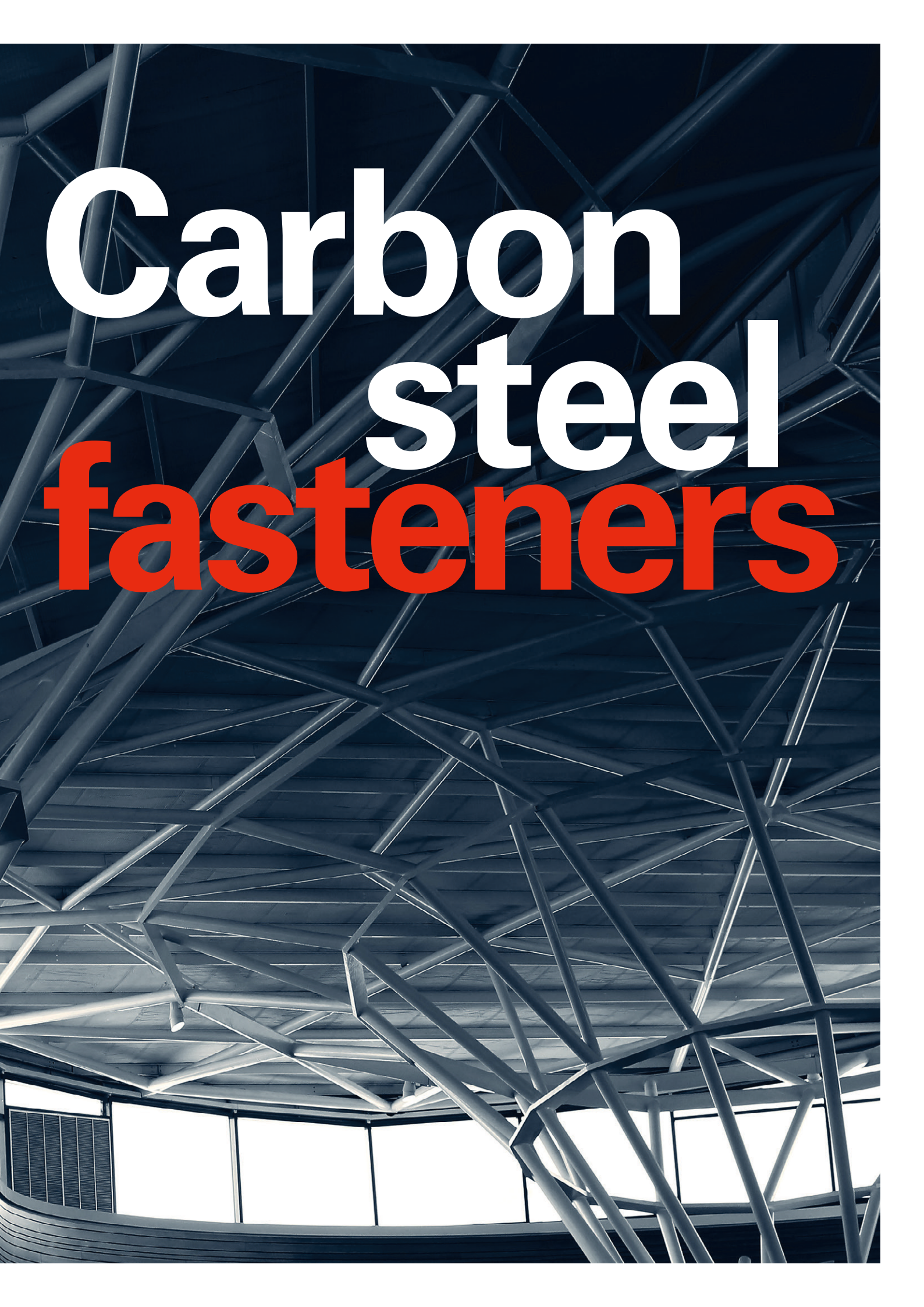
Accessories

Product description	PU	Insert drive	Head drive	L	
SOK-IT-¼"-57-6Nm	1	HEX¼"	HEX8	57	1667323
Socket E308-¼"-50				50	1646160

All measures in mm

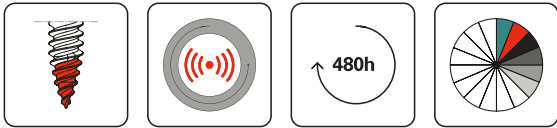
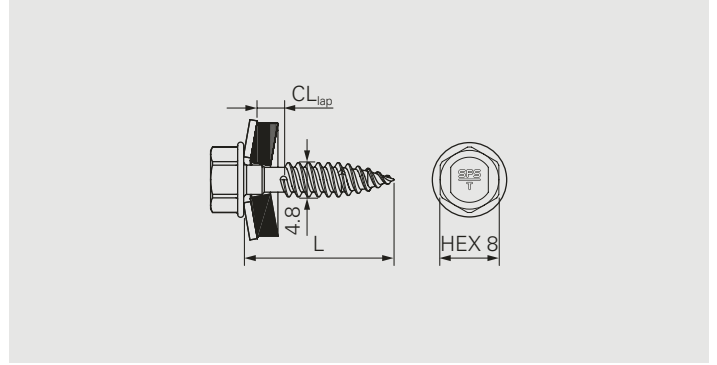
All information is non-binding and without guarantee. Before using the products, all specifications and calculations must be checked by a suitably qualified person and local regulations must be observed. This document is subject to revision. We reserve the right to make technical changes.





Carbon steel fasteners

CDL-4.8



Description

Self-drilling fastener made of carbon steel with FastTip®, free-spin zone and sealing washer

Application

- Fastening of overlaps of profile sheets
- Fastening of overlaps of sandwich panels
- Fastening of flashings onto profile sheets
- Fastening of flashings onto sandwich panels

Component 1 (t_i)

Steel 0.4–1.0

Component 2 (t_{ii})

Steel 0.4–1.0

Condition: Total thickness within CL_{lap}

Fastener material

Carbon steel, hardened, Durocoat® 480
Sealing washer: Aluminium, carbon steel galvanized, EPDM-seal

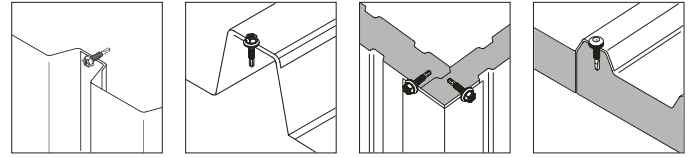
Features and Benefits

- Fast and chip-free installation without necessary post-cleaning
- No torque control required thanks to the free-spin zone
- Comfortable installation without overwinding risk
- High security against unwinding by free-spin zone with cut-off thread-end
- High corrosion durability by special galvanic coating
- High quality EPDM-seal with long durability

Approvals



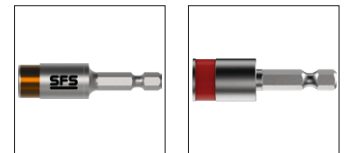
All measures in mm



Fastener in carbon steel

Product code	PU	L	CL _{lap}	T14	
CDL-A14-4,8×20	250	20	0.8-2.0	-	1793725
CDL-T14-4,8×20				1793726	-

Please refer to the "Definition of clamping range and fixing thickness" in the technical introduction for definitions and diagrams related to CL_{lap}.
 Please note that fasteners with T14 washers are not paintable.
 Please note that fasteners with A14 washers have no ETA approval.



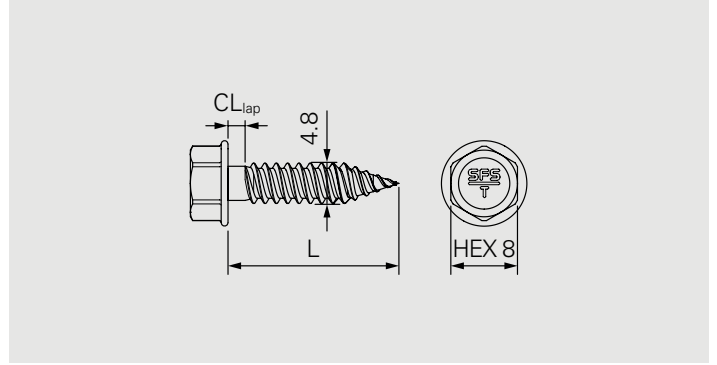
Accessories

Product description	PU	Insert drive	Recess	L	
SOK-IT-¼"-57-8Nm	1	HEX¼"	HEX8	57	1667322
Socket E308-¼"-50				50	1646160

All measures in mm

All information is non-binding and without guarantee. Before using the products, all specifications and calculations must be checked by a suitably qualified person and local regulations must be observed. This document is subject to revision. We reserve the right to make technical changes.

CDM-4.8



Description

Self-drilling fastener made of carbon steel with FastTip® and free-spin zone

Application

Fastening of overlaps of metal decks
Fastening of overlaps of liner trays

Component 1 (t₁)

Steel 0.63–1.25

Component 2 (t₂)

Steel 0.63–1.25

Condition: Total thickness within CL_{lap}

Fastener material

Carbon steel, hardened, Durocoat® 480

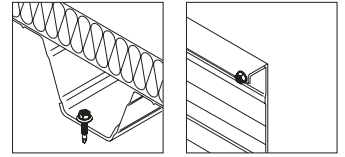
Approvals



Features and Benefits

- Fast and chip-free installation without necessary post-cleaning
- No torque control required thanks to the free-spin zone
- Comfortable installation without overwinding risk
- Increased security against unwinding by the free-spin zone
- Head undercut for a gap-free sit of the fastener head
- High corrosion durability by special galvanic coating

All measures in mm



Fastener in carbon steel

Product code	PU	L	CL _{lap}	
CDM-4,8×20	1'000	20	1.2–2.5	1687513

Please refer to the "Definition of clamping range and fixing thickness" in the technical introduction for definitions and diagrams related to CL_{lap}.

Collated fastener available

Product code	PU	L	CL _{lap}	
CDM-4,8×20-MED	250*	20	1.2–2.5	1812302

Please refer to the "Definition of clamping range and fixing thickness" in the technical introduction for definitions and diagrams related to CL_{lap}.

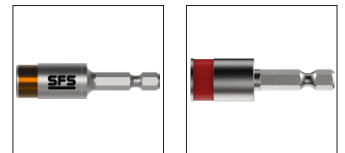
*10 strips per PU, 25 fasteners per strip



Setting tool for collated fasteners

Product code	PU	Compatible screwdriver	
CF20-ErgoDek®-F	1	FEIN ASCS 18-6.3*	1809038
CF20-ErgoDek®-D		DeWalt DCF622*	1844442
CF20-ErgoDek®-H		Hilti ST1800-A22/Hilti ST2000-22*	1844444

*The screwdriver is not included in the delivery.



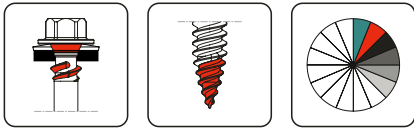
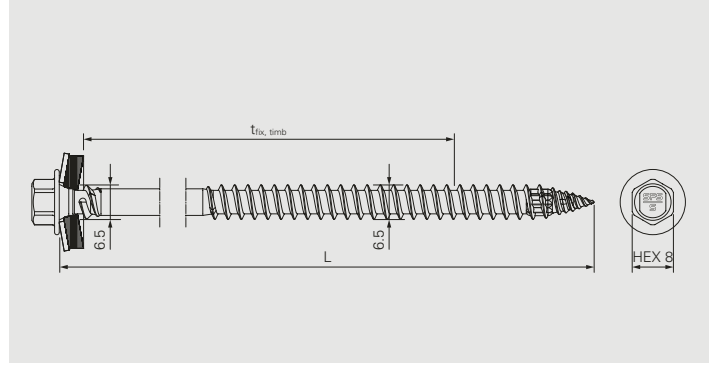
Accessories

Product description	PU	Insert drive	Head drive	L	
SOK-IT-¼"-57-8Nm	1	HEX¼"	HEX8	57	1667322
Socket E308-¼"-50				50	1646160

All measures in mm

All information is non-binding and without guarantee. Before using the products, all specifications and calculations must be checked by a suitably qualified person and local regulations must be observed. This document is subject to revision. We reserve the right to make technical changes.

CDCW-6.5



Description

Self-drilling fastener made of carbon steel with FastTip®, milling ribs, support thread and sealing washer
 Double support thread with free-spin zone and cut-off thread-end

Application

Fastening of sandwich panels onto timber
 Fastening of profile sheets onto timber

Component 1 (t_I)

Steel¹⁾ 0.4–0.75
 Steel¹⁾ 2×0.4–0.75

Component 2 (t_{II})

Timber l_p ≥ 25

¹⁾ Cover sheet in case of sandwich panel

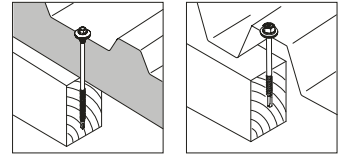
Fastener material

Carbon steel, hardened, Durocoat 480
 Sealing washer: Carbon steel galvanized, EPDM-seal

Features and Benefits

- Fastener design for high technical values in the application
- Fast and chip-free installation without necessary post-cleaning
- Perfect support function by double support thread
- Reduced splitting tendency in timber by milling ribs
- High bending capacity for absorption of thermal expansions
- High quality EPDM-seal with long durability

All measures in mm



Fastener in carbon steel

Product code	PU	L	t _{fix, timb}	T16	T19
CDCW-T19-6,5×70	100	70	0–37	1860093	1860365
CDCW-T19-6,5×80		80	0–47	1859982	1860175
CDCW-T19-6,5×110		110	18–77	1859983	1860176
CDCW-T19-6,5×130		130	38–97	1860345	1860362
CDCW-T19-6,5×150		150	58–117	1860346	1860363
CDCW-T19-6,5×170		170	78–137	1860347	1860364
CDCW-T19-6,5×200		200	108–167	1860052	1860253
CDCW-T19-6,5×230		230	138–197	1860054	1860255
CDCW-T19-6,5×260		260	168–227	1860055	1860259
CDCW-T19-6,5×300		300	208–267	1860092	1860260

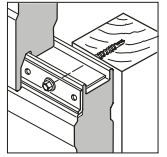
Please refer to the “Definition of clamping range and fixing thickness” in the technical introduction for definitions and diagrams related to t_{fix, timb}.

All measures in mm

All information is non-binding and without guarantee. Before using the products, all specifications and calculations must be checked by a suitably qualified person and local regulations must be observed. This document is subject to revision. We reserve the right to make technical changes.

Without own approval

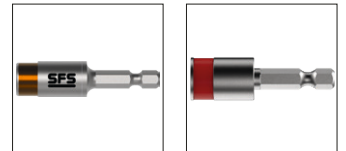
See approval OEM



Fastener in carbon steel

Product code	PU	L	t _{fix, timb}	no washer
CXCW-6,5x70	100	70	0-40	1860366
CXCW-6,5x80		80	0-50	1860261
CXCW-6,5x110		110	21-80	1860262
CXCW-6,5x130		130	41-100	1860367
CXCW-6,5x150		150	61-120	1860368
CXCW-6,5x170		170	81-140	1860369
CXCW-6,5x200		200	111-170	1860265
CXCW-6,5x230		230	141-200	1860266
CXCW-6,5x260		260	171-230	1860282
CXCW-6,5x300		300	211-270	1860292

Please refer to the "Definition of clamping range and fixing thickness" in the technical introduction for definitions and diagrams related to t_{fix, timb}.



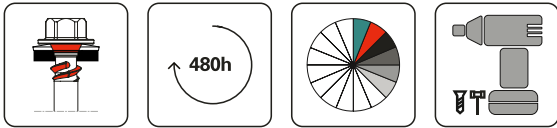
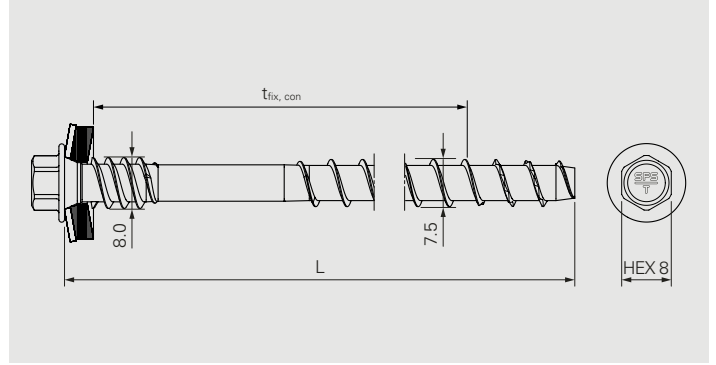
Accessories

Product description	PU	Insert drive	Recess	L	
SOK-IT-¼"-57-8Nm	1	HEX¼"	HEX8	57	1667322
Socket E308-¼"-50				50	1646160

All measures in mm



MDC-7.5



Description

Self-tapping fastener made of carbon steel with support thread and sealing washer
 Double support thread with free-spin zone and cut-off thread-end

Application

Fastening of sandwich panels onto concrete
 Fastening of profile sheets onto concrete

Component 1 (t_i)

Steel¹⁾

0.4–1.5

Component 2 (t_{ii})

Concrete

$h_{nom} \geq 35/55$

Pre-drill \varnothing 6.0

¹⁾Cover sheet in case of sandwich panel

Fastener material

Carbon steel, hardened, Durocoat® 480
 Sealing washer: Austenitic stainless steel A2, EPDM-seal

Approvals

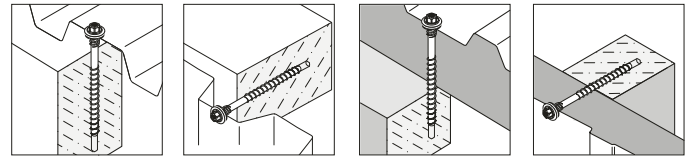


ETA-20/0115

Features and Benefits

- Fastener design for high technical values in the application
- Easy and comfortable installation with impact driver
- Perfect support function by double support thread
- Toothed thread at the tip for smooth screwing in
- Small fastener and edge distances as there is no spreading effect
- More than one specified embedment depth for different requirements
- High corrosion durability by special galvanic coating
- High quality EPDM-seal with long durability

All measures in mm



Fastener in carbon steel

Product code	PU	L	t _{fix, con}	S16	S19	S22
MDC-S19-7,5×85	100	85	12-27/47	1574300	1562034	1562305
MDC-S19-7,5×105		105	32-47/67	1574321	1562228	1562331
MDC-S19-7,5×125		125	52-67/87	1574324	1562227	1562329
MDC-S19-7,5×145		145	72-87/107	1574326	1562225	1562328
Recommended torque force 200-300 Nm						
MDC-S19-7,5×165	100	165	92-107/127	1574328	1562229	1562332
MDC-S19-7,5×185		185	112-127/147	1574329	1562224	1562327
MDC-S19-7,5×205		205	132-147/167	1574332	1562223	1562326
Recommended torque force 250-400 Nm						
MDC-S19-7,5×225	100	225	152-167/187	1574334	1562222	1562325
MDC-S19-7,5×245		245	172-187/207	1574335	1562221	1562324
MDC-S19-7,5×265		265	192-207/227	1574340	1562210	1562323
MDC-S19-7,5×285		285	212-227/247	1574353	1562209	1562322
MDC-S19-7,5×305		305	232-247/267	1574355	1562208	1562309
MDC-S19-7,5×325		325	252-267/287	1574413	1562207	1562308
Recommended torque force 350-600 Nm						
MDC-S19-7,5×345	100	345	272-287/307	1574416	1562206	1562307
MDC-S19-7,5×365		365	292-307/327	1574418	1562205	1562306

Recommended torque force 600-800 Nm

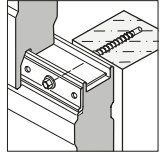
Please refer to the "Definition of clamping range and fixing thickness" in the technical introduction for definitions and diagrams related to CL_{con} and t_{fix, con}.

All measures in mm

All information is non-binding and without guarantee. Before using the products, all specifications and calculations must be checked by a suitably qualified person and local regulations must be observed. This document is subject to revision. We reserve the right to make technical changes.

Without
own
approval

See
approval
OEM

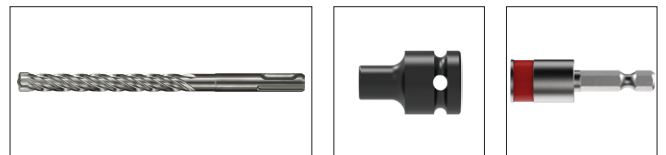


Fastener in carbon steel

Product code	PU	L	t _{fix, con}	no washer
MDC-7,5×85	100	85	15–30/50	1580854
MDC-7,5×105		105	35–50/70	1580856
MDC-7,5×125		125	55–70/90	1580857
MDC-7,5×145		145	75–90/110	1580862
Recommended torque force 200-300 Nm				
MDC-7,5×165	100	165	95–110/130	1580864
MDC-7,5×185		185	115–130/150	1580870
MDC-7,5×205		205	135–150/170	1580874
Recommended torque force 250-400 Nm				
MDC-7,5×225	100	225	155–170/190	1580912
MDC-7,5×245		245	175–190/210	1580913
MDC-7,5×265		265	195–210/230	1580919
MDC-7,5×285		285	215–230/250	1580931
MDC-7,5×305		305	235–250/270	1580933
MDC-7,5×325		325	255–270/290	1580951
Recommended torque force 350-600 Nm				
MDC-7,5×345	100	345	275–290/310	1580953
MDC-7,5×365		365	295–310/330	1590960

Recommended torque force 600-800 Nm

Please refer to the "Definition of clamping range and fixing thickness" in the technical introduction for definitions and diagrams related to CL_{con} and t_{fix, con}.



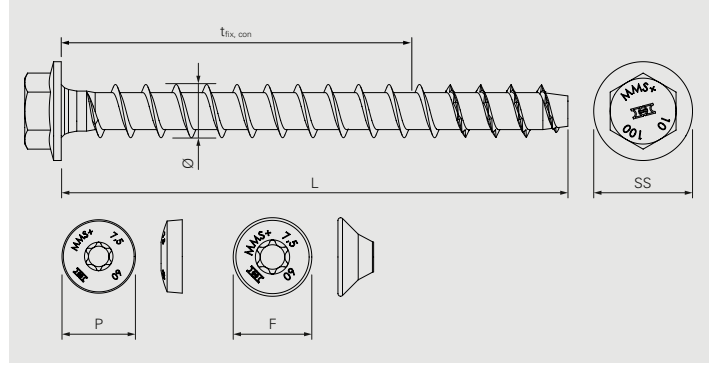
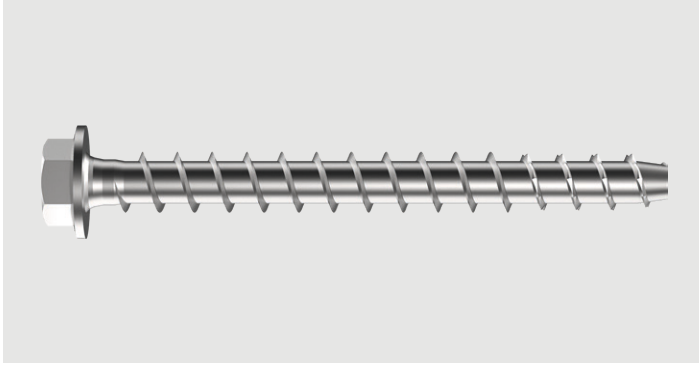
Accessories

Product description	Insert drive	Recess	PU	D	L	
SDS-6x215/150-4C	-	-	1	6	215	1487583
SDS-6x315/250-4C					315	1487584
SDS-6x515/455-4C					515	1608141
Socket E308-¼"-50	HEX¼"	HEX8	1	-	50	1646160
Socket E508-½"-40	HEX½"				40	1648380

All measures in mm



MMS-plus



Description

Self-tapping fastener made of carbon steel

Application

Fastening of metal decks onto concrete
Fastening of liner trays onto concrete

Fastener Ø	7.5	10.0	12.0
Pre-drill Ø	6.0	8.0	10.0
Embedment depth h_{nom}	≥35/55	≥50/65	≥75/90

Fastener material

Carbon steel, hardened, galvanized

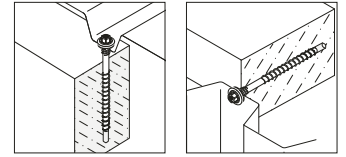
Approvals



Features and Benefits

- Fastener design for high technical values in the application
- Easy and comfortable installation with impact driver
- Toothed thread at the tip for smooth screwing in
- Small fastener and edge distances as there is no spreading effect
- More than one specified embedment depth for different requirements
- Multiple use in temporary fixations from fastener Ø10 mm
- Fire approved F120/R120
- Seismic approved C1 from fastener Ø10 mm

All measures in mm

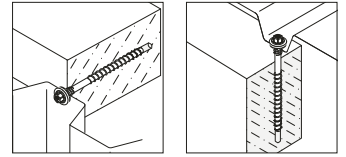


Fastener in carbon steel

Product code	PU	L	t _{fix, con}	Ø F/P/SS	Fastener drive	
MMS-plus-F-C16-7,5×50	100	50	0–15	16	T40	1205043
MMS-plus-F-C16-7,5×60	50	60	0–5/25			1205044
MMS-plus-F-C16-7,5×70		70	0–15/35			1205045
MMS-plus-F-C16-7,5×80		80	0–25/45			1205046
MMS-plus-F-C16-7,5×100		100	0–45/65			1205047
MMS-plus-F-C16-7,5×120		120	0–65/85			1205048
MMS-plus-F-C16-7,5×140		140	0–85/105			1205049
MMS-plus-F-C16-7,5×160		160	0–105/125			1205050
Recommended torque force approx. 160 Nm						
MMS-plus-F-C20-10×60	25	60	0–10	20	T45	1205051
MMS-plus-F-C20-10×70		70	0–5/20			1205052
MMS-plus-F-C20-10×80		80	0–15/30			1205053
Recommended torque force approx. 250 Nm						
MMS-plus-F-C24-12×90	25	90	0–1/15	24	T50	1205054
MMS-plus-F-C24-12×100		100	0–10/25			1205055
MMS-plus-F-C24-12×120		120	0–30/45			1205056
Recommended torque force approx. 600 Nm						
MMS-plus-P-D15-7,5×40	100	40	0–5	15	T30	1205033
MMS-plus-P-D15-7,5×50		50	0–15			1205034
MMS-plus-P-D15-7,5×60	50	60	0–5/25			1205035
Recommended torque force approx. 160 Nm						
MMS-plus-SS-7,5×40	100	40	0–5	14	HEX10	1204988
MMS-plus-SS-7,5×50	50	50	0–15			1204989
MMS-plus-SS-7,5×60		60	0–5/25			1204990
MMS-plus-SS-7,5×70		70	0–15/35			1204991
MMS-plus-SS-7,5×80		80	0–25/45			1204992
MMS-plus-SS-7,5×100		100	0–45/65			1205083
MMS-plus-SS-7,5×120		120	0–65/85			1205084
MMS-plus-SS-7,5×140		140	0–85/105			1205085
Recommended torque force approx. 160 Nm						

All measures in mm

All information is non-binding and without guarantee. Before using the products, all specifications and calculations must be checked by a suitably qualified person and local regulations must be observed. This document is subject to revision. We reserve the right to make technical changes.



Fastener in carbon steel

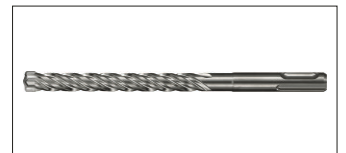
Product code	PU	L	t _{fix, con}	Ø F/P/SS	Fastener drive	
MMS-plus-SS-10x60	25	60	0-10	19	HEX13	1204993
MMS-plus-SS-10x70		70	0-5/20			1204994
MMS-plus-SS-10x80		80	0-15/30			1204995
MMS-plus-SS-10x90		90	0-25/40			1204996
MMS-plus-SS-10x100		100	0-35/50			1205020
MMS-plus-SS-10x120		120	0-55/70			1205021
MMS-plus-SS-10x140		140	0-75/90			1205022
MMS-plus-SS-10x160		160	0-95/110			1205023

Recommended torque force approx. 250 Nm

MMS-plus-SS-12x60	25	60	0-5	22	HEX15	1205137
MMS-plus-SS-12x80		80	0-5			1204997
MMS-plus-SS-12x90		90	0-1/15			1204998
MMS-plus-SS-12x100		100	0-10/25			1204999
MMS-plus-SS-12x120		120	0-30/45			1205000
MMS-plus-SS-12x140		140	0-50/65			1205001
MMS-plus-SS-12x160		160	0-70/85			1205024

Recommended torque force approx. 600 Nm

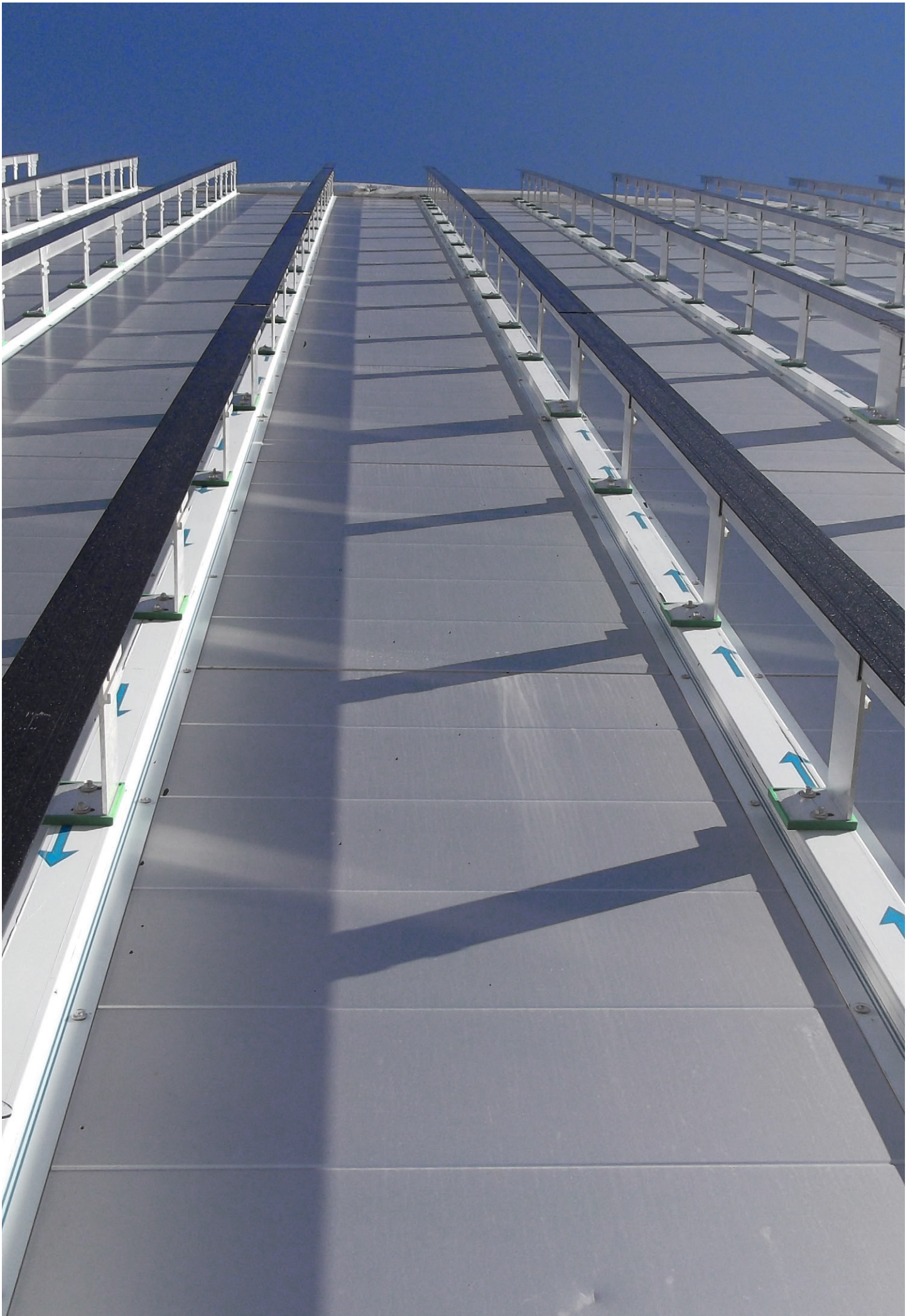
Please refer to the "Definition of clamping range and fixing thickness" in the technical introduction for definitions and diagrams related to t_{fix, con}.



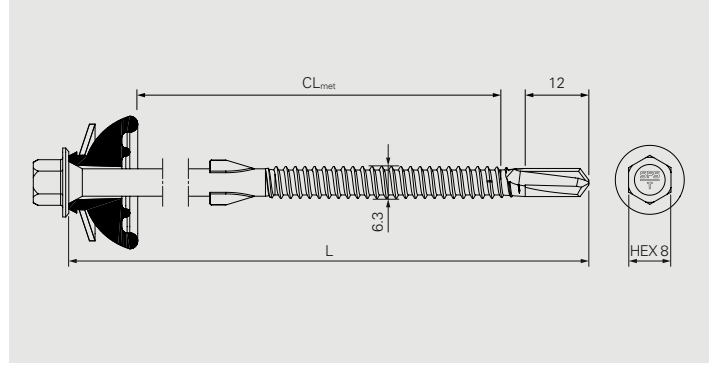
Accessories

Product description	PU	D	L	
SDS-6x215/150-4C	1	6	215	1487583
SDS-8x215/150-4C		8		1487585
SDS-10x215/150-4C		10		1487586

All measures in mm



SCF3-6.3



Description

Self-drilling fastener made of carbon steel with shank wings and BAZ sealing element

Application

Fastening of corrugated fibre cement boards onto metal profiles

Component 1 (t_i)

Fibre cement	6.5
Fibre cement	2x6.5

Component 2 (t_{ii})

Steel	1.5–3.0
-------	---------

Fastener material

Carbon steel, hardened, Durocoat® 12 cycles kesternich
BAZ sealing element: Austenitic stainless steel A2, EPDM-seal

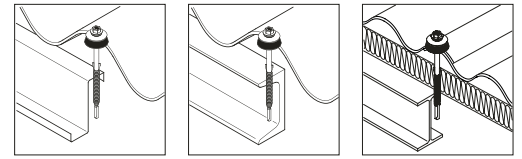
Features and Benefits

- No stresses at fibre cement board by widening of the through hole
- Long drill point for easy drilling through overlaped fibre cement boards
- High corrosion durability by special zinc flake coating
- High quality EPDM-seal with long durability

Approvals



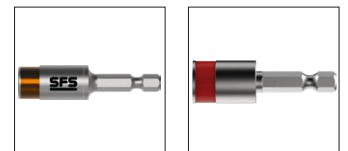
All measures in mm



Fastener in carbon steel

	PU	L	CL _{met}	
SCF3-BAZ-6,3x115	100	115	57-88	1664091

Please refer to the "Definition of clamping range and fixing thickness" in the technical introduction for definitions and diagrams related to CL_{met}.



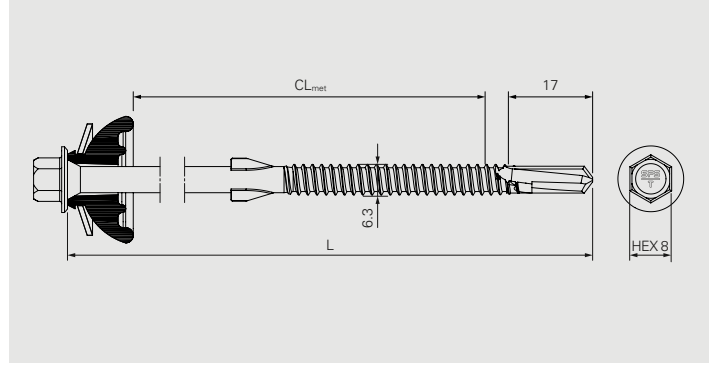
Accessories

Product description	PU	Insert drive	Recess	L	
SOK-IT-¼"-57-8Nm	1	HEX¼"	HEX8	57	1667322
Socket E308-¼"-50				50	1646160

All measures in mm

All information is non-binding and without guarantee. Before using the products, all specifications and calculations must be checked by a suitably qualified person and local regulations must be observed. This document is subject to revision. We reserve the right to make technical changes.

SCF12-6.3



Description

Self-drilling fastener made of carbon steel with shank wings and BAZ sealing element

Application

Fastening of corrugated fibre cement boards onto steel beams

Component 1 (t_i)

Fibre cement	6.5
Fibre cement	2x6.5

Component 2 (t_{ii})

Steel	3.0–12.0
-------	----------

Fastener material

Carbon steel, hardened, Durocoat® 12 cycles kesternich
BAZ sealing element: Austenitic stainless steel A2, EPDM-seal

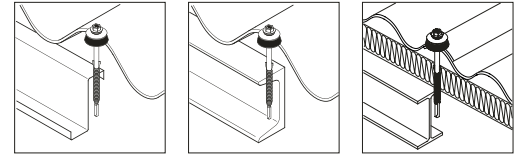
Features and Benefits

- High drilling performance for steel beams
- No stresses at fibre cement board by widening of the through hole
- Long drill point for easy drilling through overlaped fibre cement boards
- High corrosion durability by special zinc flake coating
- High quality EPDM-seal with long durability

Approvals



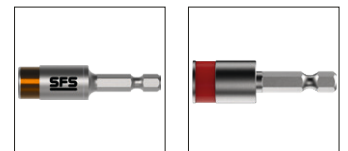
All measures in mm



Fastener in carbon steel

	PU	L	CL _{met}	
SCF12-BAZ-6,3×120		120	57-88	1664093

Please refer to the "Definition of clamping range and fixing thickness" in the technical introduction for definitions and diagrams related to CL_{met}.



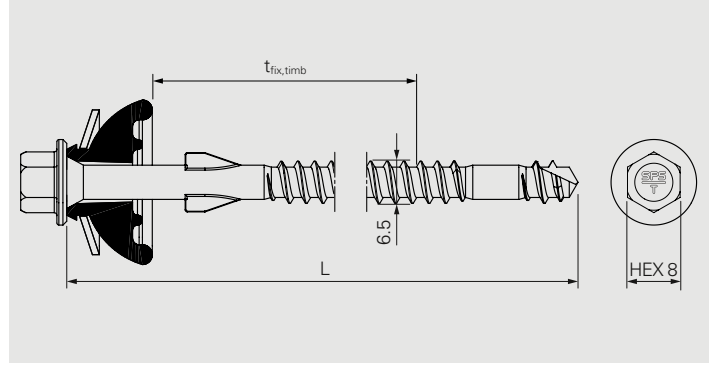
Accessories

Product description	PU	Insert drive	Recess	L	
SOK-IT-¼"-57-8Nm	1	HEX¼"	HEX8	57	1667322
Socket E308-¼"-50				50	1646160

All measures in mm

All information is non-binding and without guarantee. Before using the products, all specifications and calculations must be checked by a suitably qualified person and local regulations must be observed. This document is subject to revision. We reserve the right to make technical changes.

SCFW-6.5



Description

Selfdrilling fastener made of carbon steel with shank wings and BAZ sealing element

Application

Fastening of corrugated fibre cement boards onto timber

Component 1 (t_i)

Fibre cement	6.5
Fibre cement	2x6.5

Component 2 (t_{ii})

Timber	$l_p \geq 50$
--------	---------------

Fastener material

Carbon steel, hardened, Durocoat® 12 cycles kesternich
BAZ sealing element: Austenitic stainless steel A2, EPDM-seal

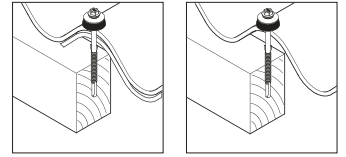
Features and Benefits

- Threaded drill point for fast and smooth installation
- Easy drilling through overlaped fibre cement boards
- No stresses at fibre cement board by widening of the through hole
- Reduced splitting tendency in timber
- High corrosion durability by hot-dip galvanic coating
- High quality EPDM-seal with long durability

Approvals



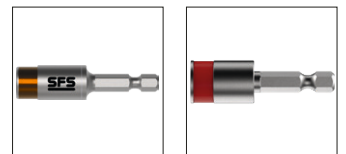
All measures in mm



Fastener in carbon steel

Product code	PU	L	t _{fix, timb}	
SCFW-BAZ-6,5x95	100	95	0-35	1664073
SCFW-BAZ-6,5x130		130	0-70	1506552

Please refer to the "Definition of clamping range and fixing thickness" in the technical introduction for definitions and diagrams related to t_{fix, timb}.



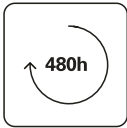
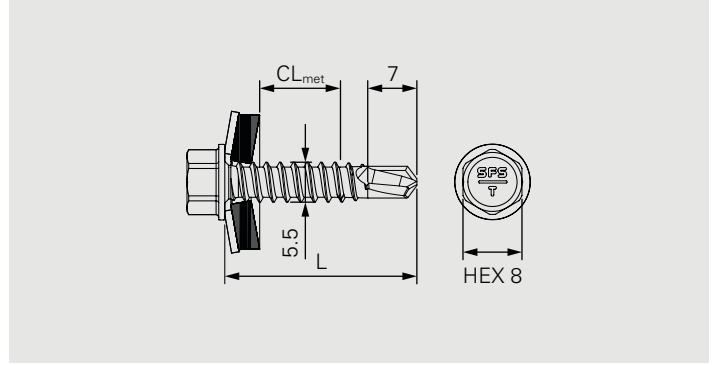
Accessories

Product description	PU	Insert drive	Recess	L	
SOK-IT-¼"-57-8Nm	1	HEX¼"	HEX8	57	1667322
Socket E308-¼"-50				50	1646160

All measures in mm

All information is non-binding and without guarantee. Before using the products, all specifications and calculations must be checked by a suitably qualified person and local regulations must be observed. This document is subject to revision. We reserve the right to make technical changes.

SD3-5.5



Description

Self-drilling fastener made of carbon steel with sealing washer

Application

Fastening of profile sheets onto metal profiles
Fastening of profile sheets onto liner trays

Component 1 (t_i)

Steel 0.5–1.5

Component 2 (t_{ii})

Steel 1.25–3.0
Steel 2×0.75–1.5

Fastener material

Carbon steel, hardened, Durocoat® 480
Sealing washer: Carbon steel galvanized, EPDM-seal

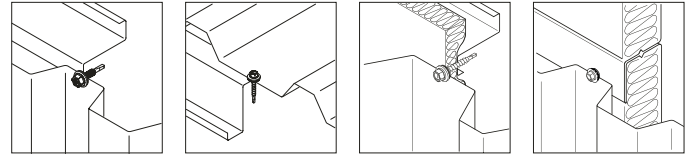
Features and Benefits

- High corrosion durability by special galvanic coating
- High quality EPDM-seal with long durability

Approvals



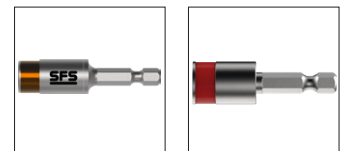
All measures in mm



Fastener in carbon steel

Product code	PU	L	CL _{met}	T16
SD3-T16-5,5×25	500	25	0–11	1506612
SD3-T16-5,5×45		45	0–31	1506617

Please refer to the "Definition of clamping range and fixing thickness" in the technical introduction for definitions and diagrams related to CL_{met}.



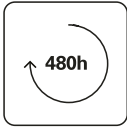
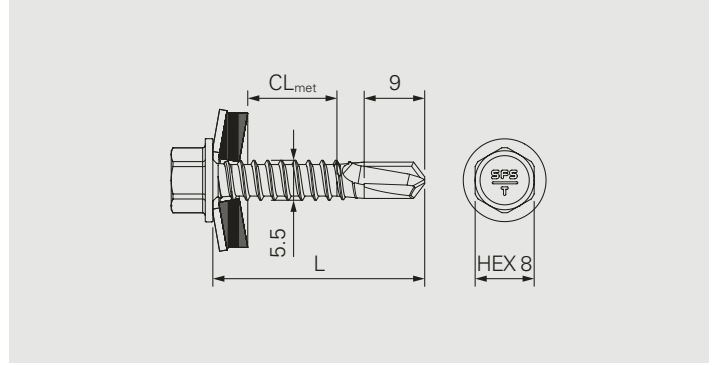
Accessories

Product description	PU	Insert drive	Recess	L	
SOK-IT-¼"-57-8Nm	1	HEX¼"	HEX8	57	1667322
Socket E308-¼"-50				50	1646160

All measures in mm

All information is non-binding and without guarantee. Before using the products, all specifications and calculations must be checked by a suitably qualified person and local regulations must be observed. This document is subject to revision. We reserve the right to make technical changes.

SD6-5.5



Description

Self-drilling fastener made of carbon steel with sealing washer

Application

Fastening of profile sheets onto metal profiles

Component 1 (t_i)

Steel

0.5–1.5

Component 2 (t_{ii})

Steel

1.5–5.0

Fastener material

Carbon steel, hardened, Durocoat® 480

Sealing washer: Carbon steel galvanized, EPDM-seal

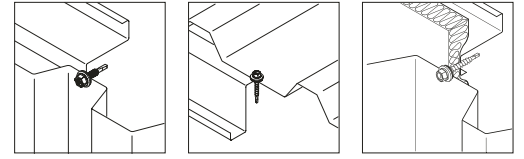
Features and Benefits

- High corrosion durability by special galvanic coating
- High quality EPDM-seal with long durability

Approvals



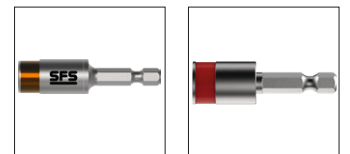
All measures in mm



Fastener in carbon steel

Product code	PU	L	CL _{met}	T16
SD6-T16-5,5×28	100	28	0-12	1423085
SD6-T16-5,5×28	500			1423084
SD6-T16-5,5×38		38	0-22	1423700

Please refer to the "Definition of clamping range and fixing thickness" in the technical introduction for definitions and diagrams related to CL_{met}.



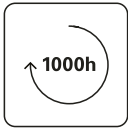
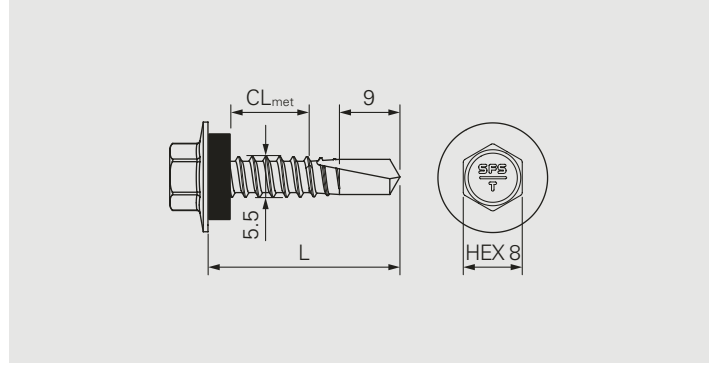
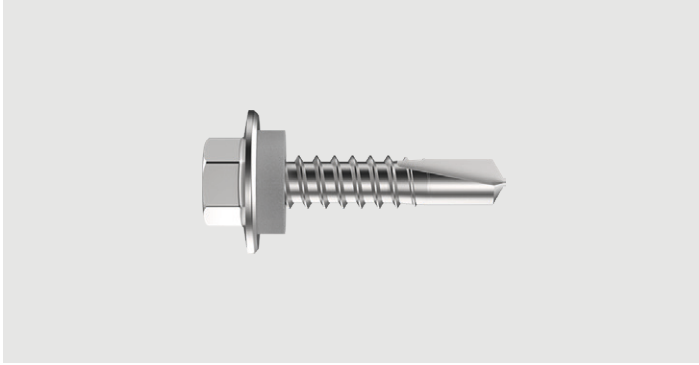
Accessories

Product description	PU	Insert drive	Recess	L	
SOK-IT-¼"-57-8Nm	1	HEX¼"	HEX8	57	1667322
Socket E308-¼"-50				50	1646160

All measures in mm

All information is non-binding and without guarantee. Before using the products, all specifications and calculations must be checked by a suitably qualified person and local regulations must be observed. This document is subject to revision. We reserve the right to make technical changes.

SD6-H15-E11-5.5



Description

Self-drilling fastener made of carbon steel with wide flange and damping ring

Application

Fastening of metal decks onto metal profiles
Fastening of liner trays onto metal profiles

Component 1 (t_i)

Steel 0.63–1.5

Component 2 (t_{ii})

Steel 1.5–5.0

Fastener material

Carbon steel, hardened, Durocoat® 1000
Damping ring: EPDM

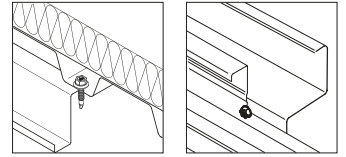
Features and Benefits

- Wide flange for high technical values in the application
- Elastic damping ring for low risk of overwinding, overtightening and fastener breakages
- Increased security against unwinding
- High corrosion durability by duplex coating

Approvals



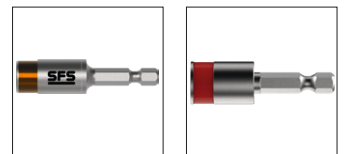
All measures in mm



Fastener in carbon steel

Product code	PU	L	CL _{met}	
SD6-H15-E11-5,5x22	500	22	0-8	1769390

Please refer to the "Definition of clamping range and fixing thickness" in the technical introduction for definitions and diagrams related to CL_{met}.



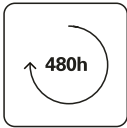
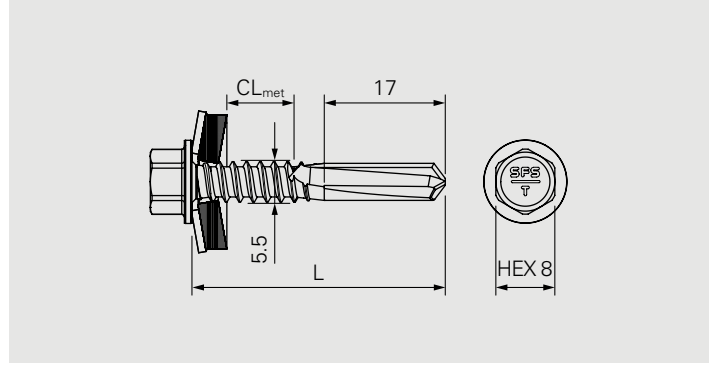
Accessories

Product description	PU	Insert drive	Recess	L	
SOK-IT-¼"-57-8Nm	1	HEX¼"	HEX8	57	1667322
Socket E308-¼"-50				50	1646160

All measures in mm

All information is non-binding and without guarantee. Before using the products, all specifications and calculations must be checked by a suitably qualified person and local regulations must be observed. This document is subject to revision. We reserve the right to make technical changes.

SD14-5.5



Description

Self-drilling fastener made of carbon steel with sealing washer

Application

Fastening of profile sheets onto steel beams

Component 1 (t_i)

Steel

0.5–1.5

Component 2 (t_{ii})

Steel

3.0–12.0

Fastener material

Carbon steel, hardened, Durocoat® 480

Sealing washer: Carbon steel galvanized, EPDM-seal

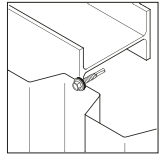
Features and Benefits

- High drilling performance for heavy steel beams
- High corrosion durability by special galvanic coating
- High quality EPDM-seal with long durability

Approvals



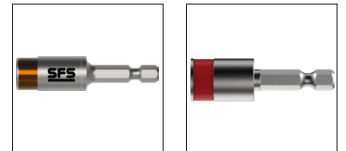
All measures in mm



Fastener in carbon steel

Product code	PU	L	CL _{met}	T16
SD14-T16-5,5x34	500	25	0-10	1423111
SD14-T16-5,5x48		48	0-24	1423120
SD14-T16-5,5x58	250	58	0-34	1423121

Please refer to the "Definition of clamping range and fixing thickness" in the technical introduction for definitions and diagrams related to CL_{met}.



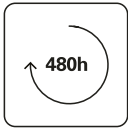
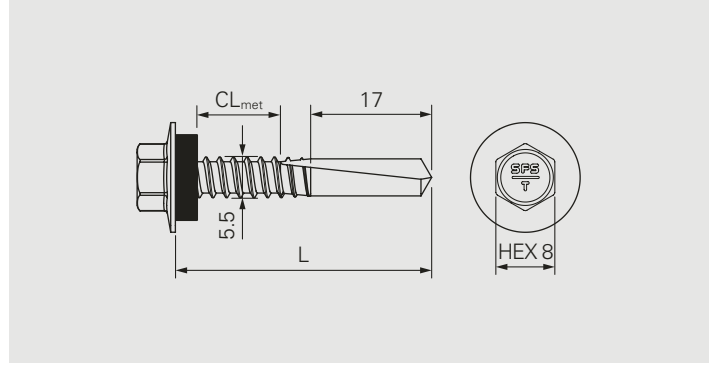
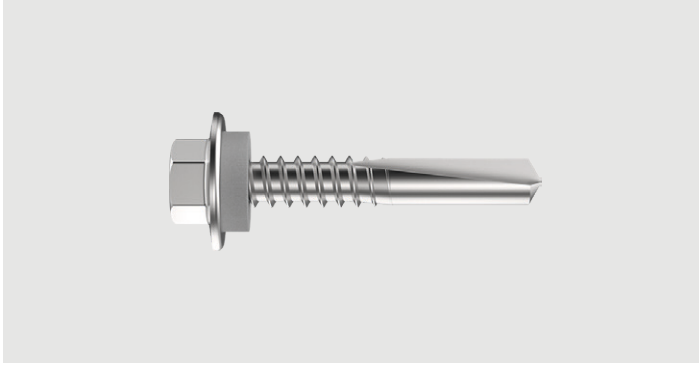
Accessories

Product description	PU	Insert drive	Recess	L	
SOK-IT-¼"-57-8Nm	1	HEX¼"	HEX8	57	1667322
Socket E308-¼"-50				50	1646160

All measures in mm

All information is non-binding and without guarantee. Before using the products, all specifications and calculations must be checked by a suitably qualified person and local regulations must be observed. This document is subject to revision. We reserve the right to make technical changes.

SD14-H15-E11-5.5



Description

Self-drilling fastener made of carbon steel with wide flange and damping ring

Application

Fastening of metal decks onto steel beams
Fastening of liner trays onto steel beams

Component 1 (t_i)

Steel

0.63–1.5

Component 2 (t_{ii})

Steel

3.0–12.0

Fastener material

Carbon steel, hardened, Durocoat® 480
Damping ring: EPDM

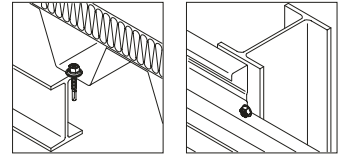
Approvals



Features and Benefits

- High drilling performance for heavy steel beams
- Wide flange for high technical values in the application
- Elastic damping ring for low risk of overwinding, overtightening and fastener breakages
- Increased security against unwinding
- High corrosion durability by duplex coating

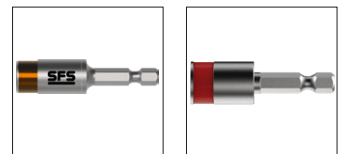
All measures in mm



Fastener in carbon steel

Product code	PU	L	CL _{met}	
SD14-H15-E11-5,5×34	500	34	0-22	1769406

Please refer to the "Definition of clamping range and fixing thickness" in the technical introduction for definitions and diagrams related to CL_{met}.



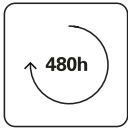
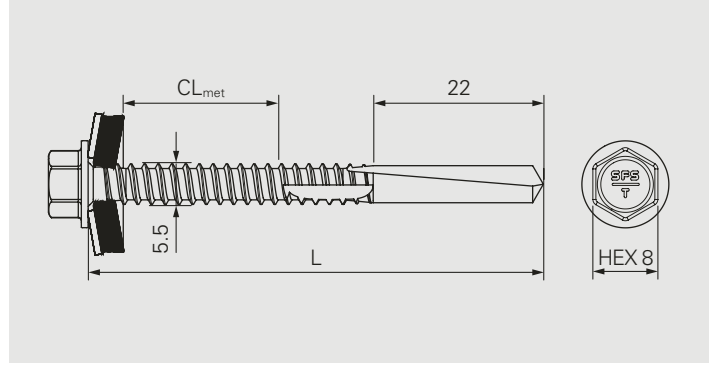
Accessories

Product description	PU	Insert drive	Recess	L	
SOK-IT-¼"-57-8Nm	1	HEX¼"	HEX8	57	1667322
Socket E308-¼"-50				50	1646160

All measures in mm

All information is non-binding and without guarantee. Before using the products, all specifications and calculations must be checked by a suitably qualified person and local regulations must be observed. This document is subject to revision. We reserve the right to make technical changes.

SD20-5.5



Description

Self-drilling fastener made of carbon steel with sealing washer

Application

Fastening of profile sheets onto steel beams

Component 1 (t_I)

Steel 0.5–1.5

Component 2 (t_{II})

Steel 3.0–18.0

Fastener material

Carbon steel, hardened, Durocoat® 480

Sealing washer: Carbon steel galvanized, EPDM-seal

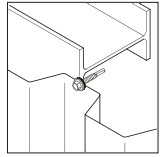
Features and Benefits

- High drilling performance for heavy steel beams
- High corrosion durability by special galvanic coating
- High quality EPDM-seal with long durability

Approvals



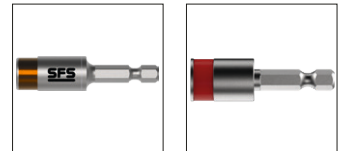
All measures in mm



Fastener in carbon steel

Product code	PU	L	CL _{met}	T16
SD20-T16-5,5x50	500	50	0-18	1673795

Please refer to the "Definition of clamping range and fixing thickness" in the technical introduction for definitions and diagrams related to CL_{met}.



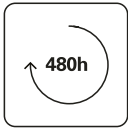
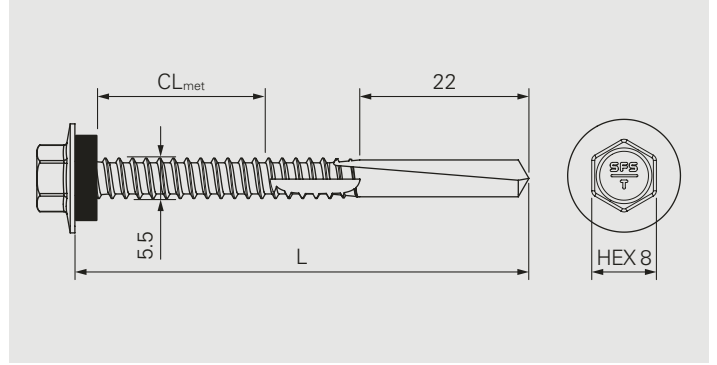
Accessories

Product description	PU	Insert drive	Recess	L	
SOK-IT-¼"-57-8Nm	1	HEX¼"	HEX8	57	1667322
Socket E308-¼"-50				50	1646160

All measures in mm

All information is non-binding and without guarantee. Before using the products, all specifications and calculations must be checked by a suitably qualified person and local regulations must be observed. This document is subject to revision. We reserve the right to make technical changes.

SD20-H15-E11-5.5



Description

Self-drilling fastener made of carbon steel with damping ring

Application

Fastening of metal decks onto steel beams
Fastening of liner trays onto steel beams

Component 1 (t_i)

Steel 0.63–1.5

Component 2 (t_{ii})

Steel 3.0–18.0

Fastener material

Carbon steel, hardened, Durocoat® 480
Damping ring: EPDM

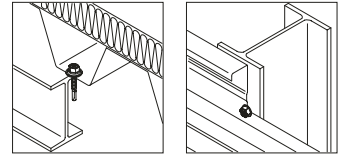
Approvals



Features and Benefits

- High drilling performance for heavy steel beams
- Wide flange for high technical values in the application
- Elastic damping ring for low risk of overwinding, overtightening and fastener breakages
- Increased security against unwinding
- High corrosion durability by special galvanic coating

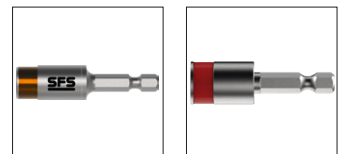
All measures in mm



Fastener in carbon steel

Product code	PU	L	CL _{met}	
SD20-H15-E11-5,5x50	500	50	0-20	1769338

Please refer to the "Definition of clamping range and fixing thickness" in the technical introduction for definitions and diagrams related to CL_{met}.



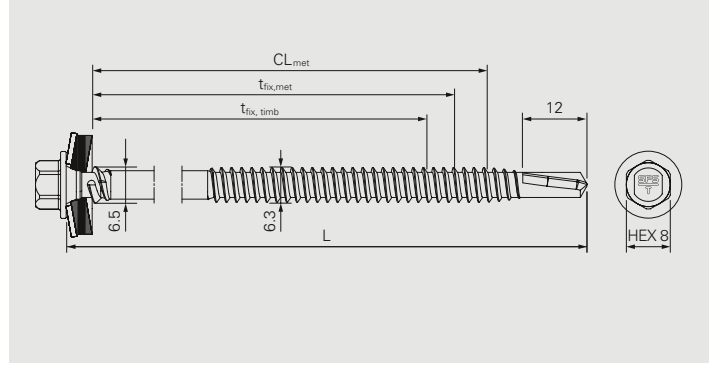
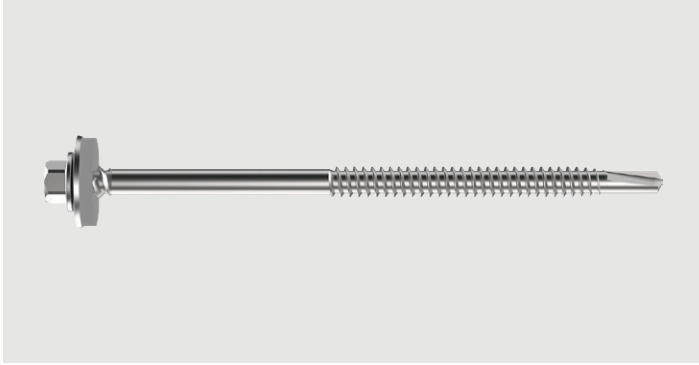
Accessories

Product description	PU	Insert drive	Recess	L	
SOK-IT-¼"-57-8Nm	1	HEX¼"	HEX8	57	1667322
Socket E308-¼"-50				50	1646160

All measures in mm

All information is non-binding and without guarantee. Before using the products, all specifications and calculations must be checked by a suitably qualified person and local regulations must be observed. This document is subject to revision. We reserve the right to make technical changes.

SDC5-6.3



Description

Self-drilling fastener made of carbon steel with support thread and sealing washer
 Double support thread with free-spin zone and cut-off thread-end

Application

- Fastening of sandwich panels onto metal profiles
- Fastening of sandwich panels onto timber
- Fastening of profile sheets onto metal profiles
- Fastening of profile sheets onto timber

Component 1 (t_i)

Steel ¹⁾ 0.4–1.5

Component 2 (t_{ii})

Steel	1.0–4.0
Steel	2×0.75–2.5
Timber	l _{ef} ≥ 25

¹⁾ Cover sheet in case of sandwich panel

Fastener material

Carbon steel, hardened, Durocoat® 480
 Sealing washer: Carbon steel galvanized, EPDM-seal

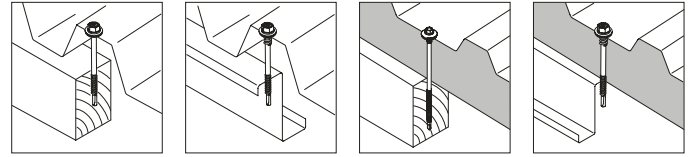
Approvals



Features and Benefits

- Fastener design for high technical values in the application
- Perfect support function by double support thread
- Long drill point for easy drilling through overlapped metal profiles
- High corrosion durability by special galvanic coating
- High quality EPDM-seal with long durability

All measures in mm



Fastener in carbon steel

Product code	PU	L	CL _{met}	t _{fix, met}	t _{fix, timb}	T16	T19
SDC5-T19-6,3×60	100	60	15–37	15–37-t _{II}	0–20	1685056	1685077
SDC5-T19-6,3×70		70	20–47	20–47-t _{II}	5–30	1685057	1685078
SDC5-T19-6,3×80		80	30–57	30–57-t _{II}	15–40	1685058	1685079
SDC5-T19-6,3×100		100	40–77	40–77-t _{II}	25–60	1685020	1685076
SDC5-T19-6,3×120		120	50–97	50–97-t _{II}	35–80	1685059	1685080
SDC5-T19-6,3×140		140	70–117	70–117-t _{II}	55–100	1685060	1685081
SDC5-T19-6,3×160		160	90–137	90–137-t _{II}	75–120	1685071	1685082
SDC5-T19-6,3×190		190	110–167	110–167-t _{II}	95–150	1685072	1685083
SDC5-T19-6,3×220		220	140–197	140–197-t _{II}	125–180	1685073	1685084
SDC5-T19-6,3×250		250	170–227	170–227-t _{II}	155–210	1685074	1685085
SDC5-T19-6,3×290		290	210–267	210–267-t _{II}	195–250	1685075	1685086

Please refer to the "Definition of clamping range and fixing thickness" in the technical introduction for definitions and diagrams related to

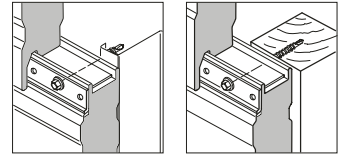
CL_{met}, t_{fix, met} and t_{fix, timb}.

All measures in mm

All information is non-binding and without guarantee. Before using the products, all specifications and calculations must be checked by a suitably qualified person and local regulations must be observed. This document is subject to revision. We reserve the right to make technical changes.

Without own approval

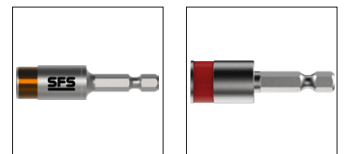
See approval OEM



Fastener in carbon steel

Product code	PU	L	CL _{met}	t _{fix, met}	t _{fix, timb}	no washer
SDC5-6,3×60	100	60	18-40	18-40-t _{II}	3-23	1685087
SDC5-6,3×70		70	23-50	23-50-t _{II}	8-33	1679504
SDC5-6,3×80		80	33-60	33-60-t _{II}	18-43	1685088
SDC5-6,3×100		100	43-80	43-80-t _{II}	28-63	1685089
SDC5-6,3×120		120	53-100	53-100-t _{II}	38-83	1685090
SDC5-6,3×140		140	73-120	73-120-t _{II}	58-103	1685091
SDC5-6,3×160		160	93-140	93-140-t _{II}	78-123	1685092
SDC5-6,3×190		190	113-170	113-170-t _{II}	98-153	1685093
SDC5-6,3×220		220	143-200	143-200-t _{II}	128-183	1685094
SDC5-6,3×250		250	173-230	173-230-t _{II}	158-213	1685095
SDC5-6,3×290		290	213-270	213-270-t _{II}	198-253	1685096

Please refer to the "Definition of clamping range and fixing thickness" in the technical introduction for definitions and diagrams related to CL_{met}, t_{fix, met} and t_{fix, timb}.



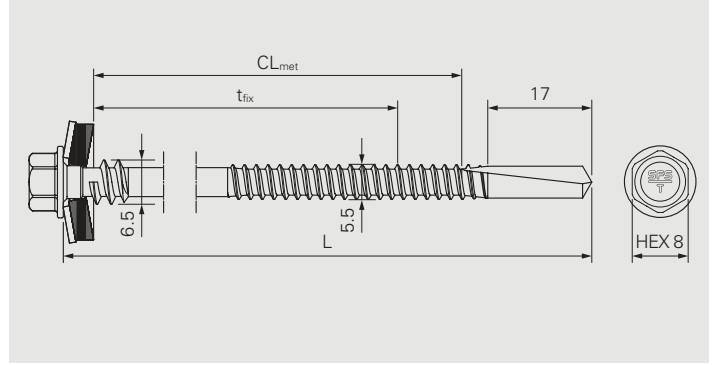
Accessories

Product description	PU	Insert drive	Recess	L	
SOK-IT-¼"-57-8Nm	1	HEX¼"	HEX8	57	1667322
Socket E308-¼"-50				50	1646160

All measures in mm



SDC14-5.5



Description

Self-drilling fastener made of carbon steel with support thread and sealing washer
Support thread with free-spin zone and cut-off thread-end

Application

Fastening of sandwich panels onto steel beams
Fastening of profile sheets onto steel beams

Component 1 (t_i)

Steel ¹⁾

0.4–1.5

Component 2 (t_{ii})

Steel

3.0–12.0

¹⁾ Cover sheet in case of sandwich panel

Fastener material

Carbon steel, hardened, Durocoat® 480
Sealing washer: Carbon steel galvanized, EPDM-seal

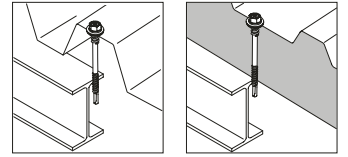
Features and Benefits

- High drilling performance for heavy steel beams
- Perfect support function by double support thread
- High corrosion durability by special galvanic or duplex coating
- High quality EPDM-seal with long durability

Approvals



All measures in mm



Fastener in carbon steel

Product code	PU	L	CL _{met}	t _{fix, met}	T16	T19
SDC14-T16-5,5×78	100	78	30–53	30–53–t _{II}	1779364	1773403
SDC14-T16-5,5×98		98	40–73	40–73–t _{II}	1779367	1773404
SDC14-T16-5,5×118		118	50–93	50–93–t _{II}	1779368	1766093
SDC14-T16-5,5×138		138	70–113	70–113–t _{II}	1779370	1770928
SDC14-T16-5,5×158		158	90–133	90–133–t _{II}	1779384	1779422
SDC14-T16-5,5×188		188	110–163	110–163–t _{II}	1779386	1779425
SDC14-T16-5,5×218		218	140–193	140–193–t _{II}	1779389	1779427
SDC14-T16-5,5×248		248	170–223	170–223–t _{II}	1779390	1779428
SDC14-T16-5,5×288		288	210–263	210–263–t _{II}	1779391	1779429

Please refer to the "Definition of clamping range and fixing thickness" in the technical introduction for definitions and diagrams related to CL_{met} and t_{fix, met}.

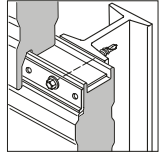
Please note that fastener lengths ≥ 188 are not paintable

All measures in mm

All information is non-binding and without guarantee. Before using the products, all specifications and calculations must be checked by a suitably qualified person and local regulations must be observed. This document is subject to revision. We reserve the right to make technical changes.

Without own approval

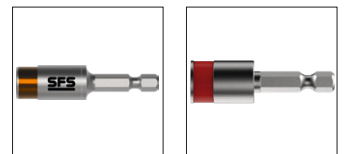
See approval OEM



Fastener in carbon steel

Product code	PU	L	CL _{met}	t _{fix, met}	no washer
SDC14-5,5x78	100	78	33-56	33-56-t _{II}	1779325
SDC14-5,5x98		98	43-76	43-76-t _{II}	1779348
SDC14-5,5x118		118	53-96	53-96-t _{II}	1779349
SDC14-5,5x138		138	73-116	73-116-t _{II}	1779351
SDC14-5,5x158		158	93-136	93-136-t _{II}	1779352
SDC14-5,5x188		188	113-166	113-166-t _{II}	1779662
SDC14-5,5x218		218	143-196	143-196-t _{II}	1779356
SDC14-5,5x248		248	173-226	173-226-t _{II}	1779357
SDC14-5,5x288		288	213-266	213-266-t _{II}	1779358

Please refer to the "Definition of clamping range and fixing thickness" in the technical introduction for definitions and diagrams related to CL_{met} and t_{fix, met}.



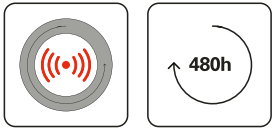
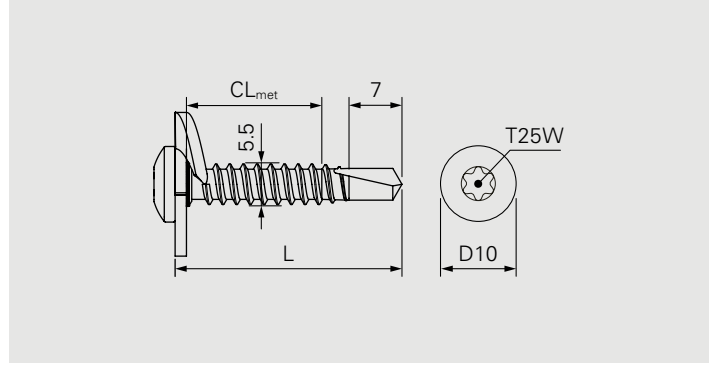
Accessories

Product description	PU	Insert drive	Recess	L	
SOK-IT-¼"-57-8Nm	1	HEX¼"	HEX8	57	1667322
Socket E308-¼"-50				50	1646160

All measures in mm



SDP3-D10-TC19-5.5



Description

Self-drilling fastener made of carbon steel with self-coring cutting disc

Application

Fastening of single-ply panels onto metal profiles
Fastening of overlaps of single-ply panels

Component 1 (t_i)

Steel¹⁾ 0.5–1.0

Component 2 (t_{ii})

Steel¹⁾ 0.5–1.0
Steel 1.0–3.0

¹⁾ Inner cover sheet

Fastener material

Carbon steel, hardened, Durocoat® 480
Cutting disc: Carbon steel galvanized

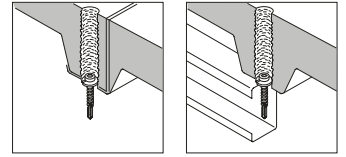
Features and Benefits

- Fast and smooth penetration of membrane and insulation by self-coring cutting disc
- Small core hole with minimal disturbance of the insulation
- High corrosion durability by special galvanic coating

Approvals



All measures in mm



Fastener in carbon steel

Product code	PU	L	CL _{met}	
SDP3-D10-TC19-5,5×30	500	30	0-16	1645611

Please refer to the "Definition of clamping range and fixing thickness" in the technical introduction for definitions and diagrams related to CL_{met}.



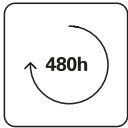
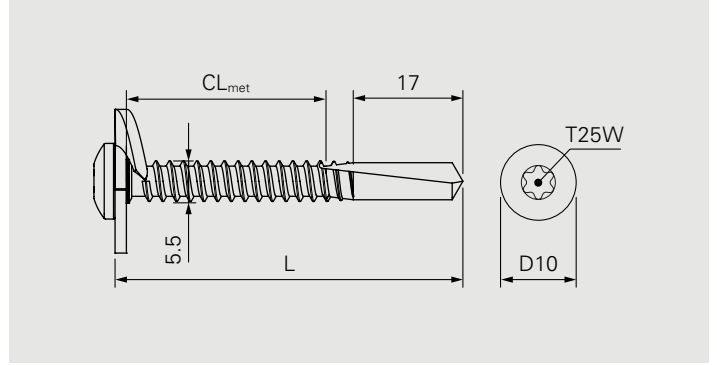
Accessories

Product description	PU	Insert drive	Recess	L	
Bit T25W-175-HEX¼"	5	HEX¼"	T25W	175	727979

All measures in mm

All information is non-binding and without guarantee. Before using the products, all specifications and calculations must be checked by a suitably qualified person and local regulations must be observed. This document is subject to revision. We reserve the right to make technical changes.

SDP14-D10-TC19-5.5



Description

Self-drilling fastener made of carbon steel with self-coring cutting disc

Application

Fastening of single-ply panels onto steel beams

Component 1 (t_i)

Steel¹⁾ 0.5–1.0

Component 2 (t_{ii})

Steel 4.0–12.0

¹⁾ Inner cover sheet

Fastener material

Carbon steel, hardened, Durocoat® 480

Cutting disc: Carbon steel galvanized

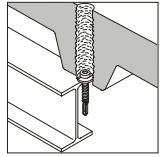
Features and Benefits

- High drilling performance for heavy steel beams
- Fast and smooth penetration of membrane and insulation by self-coring cutting disc
- Small core hole with minimal disturbance of the insulation
- High corrosion durability by special galvanic coating

Approvals



All measures in mm



Fastener in carbon steel

Product code	PU	L	CL _{met}	
SDP14-D10-TC19-5,5x46	250	46	0-22	1645606

Please refer to the "Definition of clamping range and fixing thickness" in the technical introduction for definitions and diagrams related to CL_{met}.



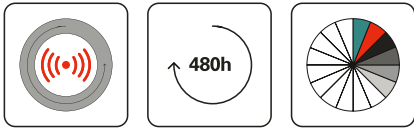
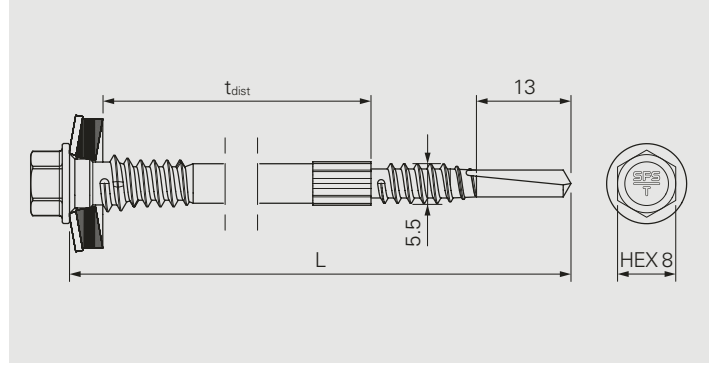
Accessories

Product description	PU	Insert drive	Recess	L	
Bit T25W-175-HEX¼"	5	HEX¼"	T25W	175	727979

All measures in mm

All information is non-binding and without guarantee. Before using the products, all specifications and calculations must be checked by a suitably qualified person and local regulations must be observed. This document is subject to revision. We reserve the right to make technical changes.

SDRT2-5.5



Description

Self-drilling fastener made of stainless steel with support thread, shank knurl, free-spin zone and sealing washer
Wide support thread with free-spin zone and cut-off thread-end

Application

Distance fastening of profile sheets onto liner trays

Component 1 (t_i)

Steel 0.63–1.5

Component 2 (t_{ii})

Steel	1.0–1.5
Steel	2×0.75–1.25

Fastener material

Carbon steel, hardened, Durocoat® 480

Sealing washer: Carbon steel galvanized, EPDM-seal

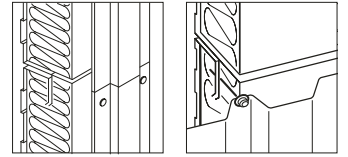
Approvals



Features and Benefits

- Precisely fastening distance by shank knurl as distance element
- Perfect support function by wide support thread
- No torque control required thanks to the free-spin zone
- Comfortable installation without overwinding risk
- High security against unwinding by the cut-off thread-end
- High corrosion durability by special galvanic coating
- High quality EPDM-seal with long durability

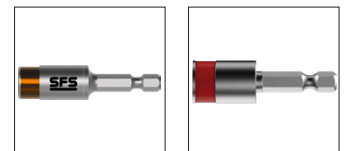
All measures in mm



Fastener in carbon steel

Product code	PU	L	t _{dist}	T16
SDRT2-T16-5,5×69	250	69	40	1580868
SDRT2-T16-5,5×89	100	89	60	1576185
SDRT2-T16-5,5×109		109	80	1524405

Please refer to the "Definition of clamping range and fixing thickness" in the technical introduction for definitions and diagrams related to t_{dist}.



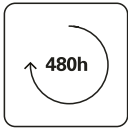
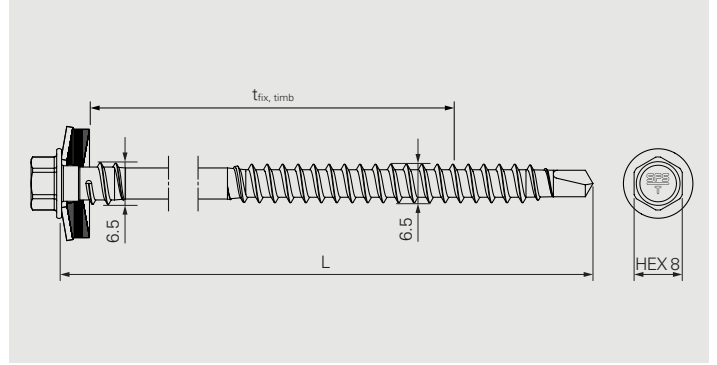
Accessories

Product description	PU	Insert drive	Recess	L	
SOK-IT-¼"-57-8Nm	1	HEX¼"	HEX8	57	1667322
Socket E308-¼"-50				50	1646160

All measures in mm

All information is non-binding and without guarantee. Before using the products, all specifications and calculations must be checked by a suitably qualified person and local regulations must be observed. This document is subject to revision. We reserve the right to make technical changes.

SDTW-6.5



Description

Self-drilling fastener made of carbon steel with support thread and sealing washer
 Support thread with free-spin zone and cut-off thread-end

Application

Fastening of sandwich panels onto timber
 Fastening of profile sheets onto timber

Component 1 (t _i)		Component 2 (t _{ii})	
Steel ¹⁾	0.4–1.5	Timber	l _{ef} ≥ 35

¹⁾ Cover sheet in case of sandwich panel

Fastener material

Carbon steel, hardened, Durocoat® 480
 Sealing washer: Austenitic stainless steel A2, EPDM-seal

Features and Benefits

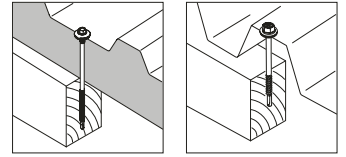
- High support function by support thread
- High corrosion durability by special galvanic coating
- High quality EPDM-seal with long durability

Approvals



All measures in mm

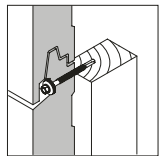
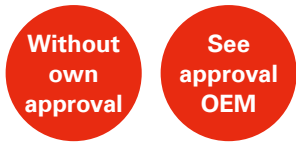
All information is non-binding and without guarantee. Before using the products, all specifications and calculations must be checked by a suitably qualified person and local regulations must be observed. This document is subject to revision. We reserve the right to make technical changes.



Fastener in carbon steel

Product code	PU	L	t _{fix, timb}	S19
SDTW-S19-6,5x75	100	75	2-30	937840

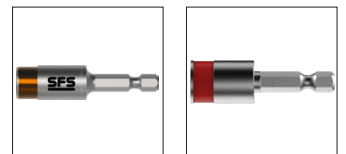
Please refer to the "Definition of clamping range and fixing thickness" in the technical introduction for definitions and diagrams related to t_{fix, timb}.



Fastener in carbon steel

Product code	PU	L	t _{fix, timb}	no washer
SDTW-6,5x75	100	75	5-33	743764

Please refer to the "Definition of clamping range and fixing thickness" in the technical introduction for definitions and diagrams related to t_{fix, timb}.



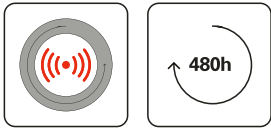
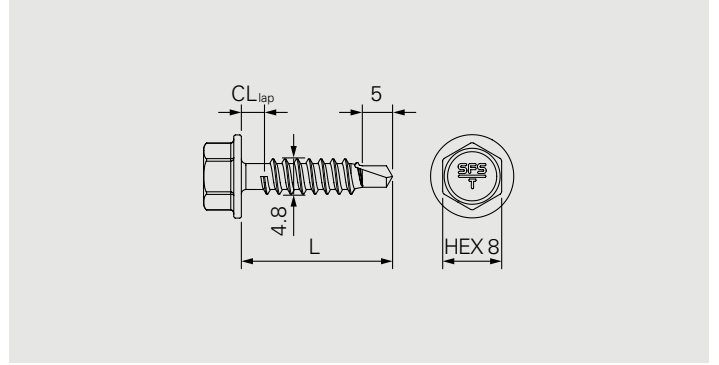
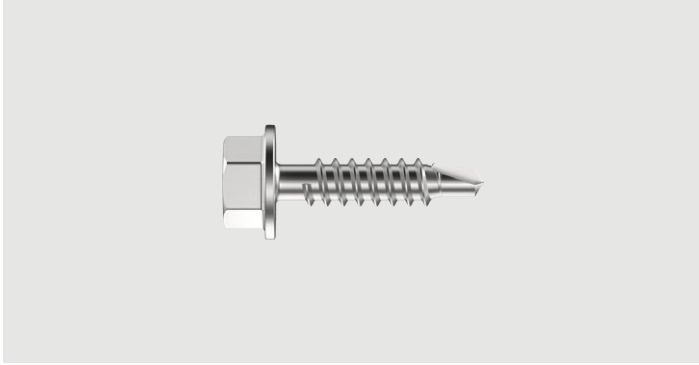
Accessories

Product description	PU	Insert drive	Recess	L	
SOK-IT-¼"-57-8Nm	1	HEX¼"	HEX8	57	1667322
Socket E308-¼"-50				50	1646160

All measures in mm

All information is non-binding and without guarantee. Before using the products, all specifications and calculations must be checked by a suitably qualified person and local regulations must be observed. This document is subject to revision. We reserve the right to make technical changes.

SL2-4.8



Description

Self-drilling fastener made of carbon steel with free-spin zone

Application

Fastening of overlaps of metal decks
Fastening of overlaps of liner trays

Component 1 (t_I)

Steel

0.63–1.25

Component 2 (t_{II})

Steel

0.63–1.25

Condition: Total thickness within CL_{lap}

Fastener material

Carbon steel, hardened, Durocoat® 480

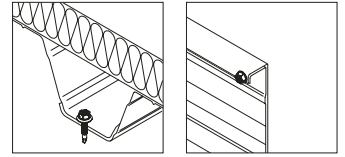
Features and Benefits

- No torque control required thanks to the free-spin zone
- Comfortable installation without overwinding risk
- High security against unwinding by the cut-off thread-end
- High corrosion durability by special galvanic coating

Approvals



All measures in mm



Fastener in carbon steel

Product code	PU	L	CL _{lap}	
SL2-4,8x20	1000	20	1.2-2.5	1742757

Please refer to the "Definition of clamping range and fixing thickness" in the technical introduction for definitions and diagrams related to CL_{lap}.

Collated fastener available

Product code	PU	L	CL _{lap}	
SL2-4,8x20-MED	250	20	1.2-2.5	1812304

Please refer to the "Definition of clamping range and fixing thickness" in the technical introduction for definitions and diagrams related to CL_{lap}.

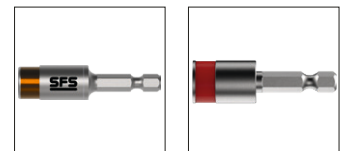
*10 strips per PU, 25 fasteners per strip



Setting tool for collated fasteners

Product code	PU	Compatible screwdriver	
CF20-ErgoDek®-F	1	FEIN ASCS 18-6.3*	1809038
CF20-ErgoDek®-D		DeWalt DCF622*	1844442
CF20-ErgoDek®-H		Hilti ST1800-A22/Hilti ST2000-22*	1844444

*The screwdriver is not included in the delivery.



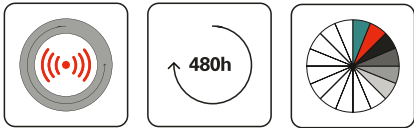
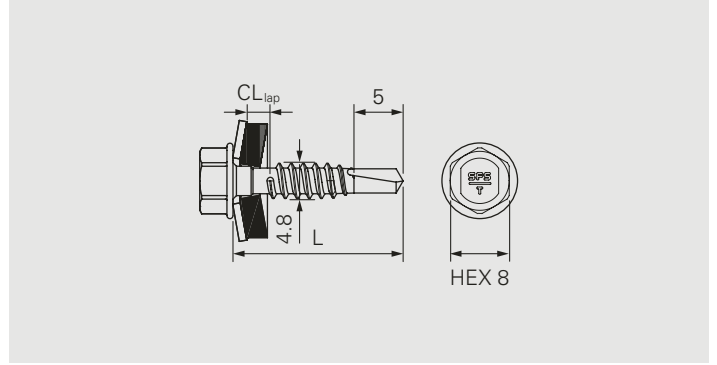
Accessories

Product description	PU	Insert drive	Recess	L	
SOK-IT-¼"-57-8Nm	1	HEX¼"	HEX8	57	1667322
Socket E308-¼"-50				50	1646160

All measures in mm

All information is non-binding and without guarantee. Before using the products, all specifications and calculations must be checked by a suitably qualified person and local regulations must be observed. This document is subject to revision. We reserve the right to make technical changes.

SL2-T-4.8



Description

Self-drilling fastener made of carbon steel with free-spin zone and sealing washer

Application

- Fastening of overlaps of profile sheets
- Fastening of overlaps of sandwich panels
- Fastening of flashings onto profile sheets
- Fastening of flashings onto sandwich panels

Component 1 (t₁)

Steel

0.4–1.5

Component 2 (t_{II})

Steel

0.4–1.5

Condition: Total thickness within CL_{lap}

Fastener material

Carbon steel, hardened, Durocoat® 480
Sealing washer: Aluminium, carbon steel galvanised, EPDM-seal

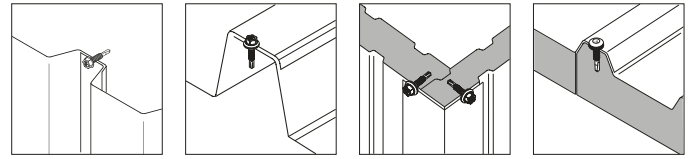
Features and Benefits

- No torque control required thanks to the free-spin zone
- Comfortable installation without overwinding risk
- High security against unwinding by the cut-off thread-end
- High corrosion durability by special galvanic coating

Approvals



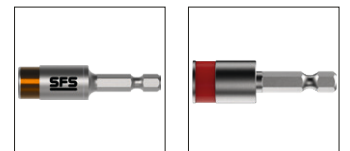
All measures in mm



Fastener in carbon steel

Product code	PU	L	CL _{lap}	T14	A14
SL2-T-A14-4,8x20	250	20	0.8-2.5	-	3041
SL2-T-T14-4,8x20				1783650	-

Please refer to the "Definition of clamping range and fixing thickness" in the technical introduction for definitions and diagrams related to CL_{lap}.
 Please note that fasteners with T14 washers are not paintable.
 Please note that fasteners with A14 washers have no ETA approval.



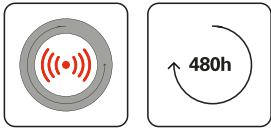
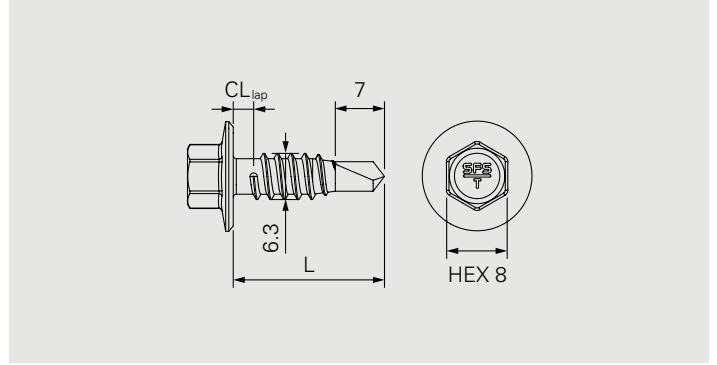
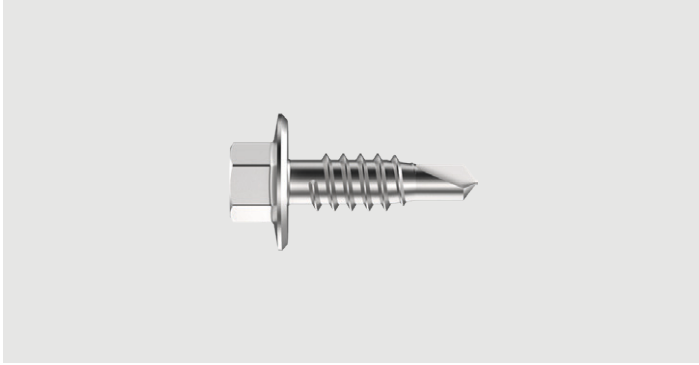
Accessories

Product description	PU	Insert drive	Recess	L	
SOK-IT-¼"-57-8Nm	1	HEX¼"	HEX8	57	1667322
Socket E308-¼"-50				50	1646160

All measures in mm

All information is non-binding and without guarantee. Before using the products, all specifications and calculations must be checked by a suitably qualified person and local regulations must be observed. This document is subject to revision. We reserve the right to make technical changes.

SL2-H15-6.3



Description

Self-drilling fastener made of carbon steel with wide flange and free-spin zone

Application

Fastening of overlaps of metal decks
Fastening of overlaps of liner trays

Component 1 (t₁)

Steel

0.63–1.5

Component 2 (t₂)

Steel

0.63–1.5

Condition: Total thickness within CL_{lap}

Fastener material

Carbon steel, hardened, Durocoat® 480

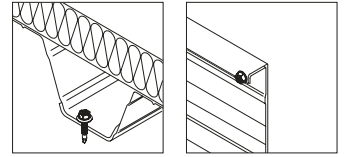
Features and Benefits

- Wide flange for high technical values in the application
- No torque control required thanks to the free-spin zone
- Comfortable installation without overwinding risk
- High security against unwinding by the cut-off thread-end
- High corrosion durability by special galvanic coating

Approvals



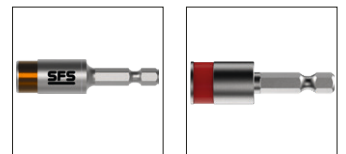
All measures in mm



Fastener in carbon steel

Product code	PU	L	CL _{lap}	
SL2-H15-6,3x20	500	20	1.2-2.5	1742734

Please refer to the "Definition of clamping range and fixing thickness" in the technical introduction for definitions and diagrams related to CL_{lap}.



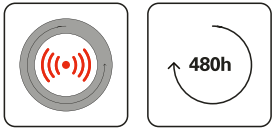
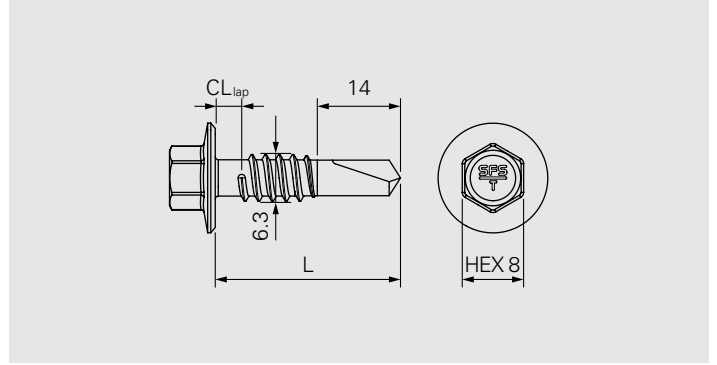
Accessories

Product description	PU	Insert drive	Recess	L	
SOK-IT-¼"-57-8Nm	1	HEX¼"	HEX8	57	1667322
Socket E308-¼"-50				50	1646160

All measures in mm

All information is non-binding and without guarantee. Before using the products, all specifications and calculations must be checked by a suitably qualified person and local regulations must be observed. This document is subject to revision. We reserve the right to make technical changes.

SL3-H15-6.3



Description

Self-drilling fastener made of carbon steel with wide flange and free-spin zone

Application

- Fastening of metal profiles onto metal decks
- Fastening of metal decks onto metal profiles
- Fastening of overlaps of metal decks
- Fastening of overlaps of liner trays

Component 1 (t₁)

Steel 0.63–2.0

Component 2 (t₂)

Steel 0.63–2.0

Condition: Total thickness within CL_{lap}

Fastener material

Carbon steel, hardened, Durocoat® 480

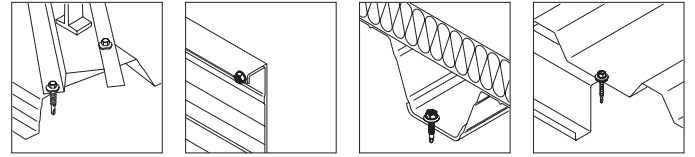
Features and Benefits

- Wide flange for high technical values in the application
- No torque control required thanks to the free-spin zone
- Comfortable installation without overwinding risk
- High security against unwinding by the cut-off thread-end
- High corrosion durability by special galvanic coating

Approvals



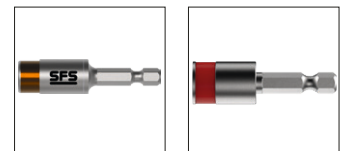
All measures in mm



Fastener in carbon steel

Product code	PU	L	CL _{lap}	
SL3-H15-6,3×32	500	32	2.0-3.5	1742735

Please refer to the "Definition of clamping range and fixing thickness" in the technical introduction for definitions and diagrams related to CL_{lap}.



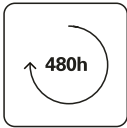
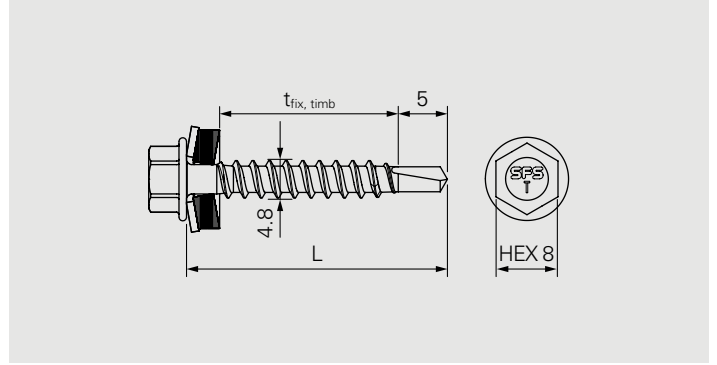
Accessories

Product description	PU	Insert drive	Recess	L	
SOK-IT-¼"-57-8Nm	1	HEX¼"	HEX8	57	1667322
Socket E308-¼"-50				50	1646160

All measures in mm

All information is non-binding and without guarantee. Before using the products, all specifications and calculations must be checked by a suitably qualified person and local regulations must be observed. This document is subject to revision. We reserve the right to make technical changes.

SW-T-4.8



Description

Self-drilling fastener made of carbon steel with sealing washer

Application

Fastening of profile sheets onto timber

Component 1 (t_I)

Steel

0.5–1.5

Component 2 (t_{II})

Timber

$l_{ef} \geq 25$

Fastener material

Carbon steel, hardened, Durocoat® 480

Sealing washer: Carbon steel galvanized, EPDM-seal

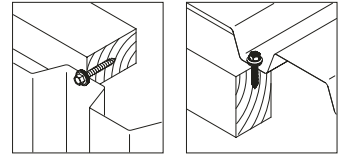
Features and Benefits

- High corrosion durability by special galvanic coating
- High quality EPDM-seal with long durability

Approvals



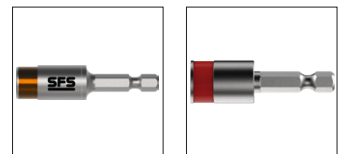
All measures in mm



Fastener in carbon steel

Product code	PU	L	t _{fix, timb}	T14
SW-T-T14-4,8x35	250	35	0-2	1783669

Please refer to the "Definition of clamping range and fixing thickness" in the technical introduction for definitions and diagrams related to t_{fix, timb}.



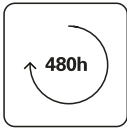
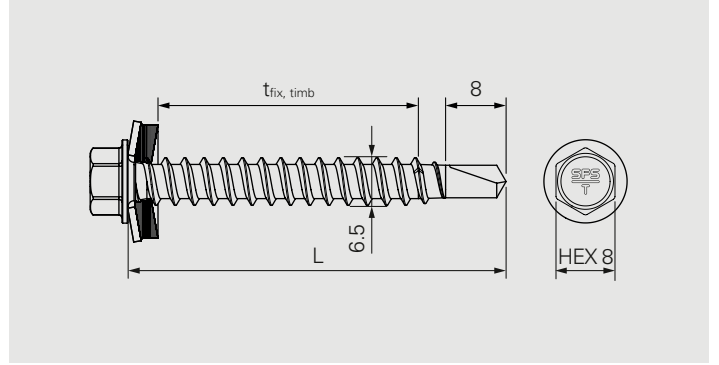
Accessories

Product description	PU	Insert drive	Recess	L	
SOK-IT-¼"-57-8Nm	1	HEX¼"	HEX8	57	1667322
Socket E308-¼"-50				50	1646160

All measures in mm

All information is non-binding and without guarantee. Before using the products, all specifications and calculations must be checked by a suitably qualified person and local regulations must be observed. This document is subject to revision. We reserve the right to make technical changes.

SW3-T-6.5



Description

Self-drilling fastener made of carbon steel with sealing washer

Application

Fastening of profile sheets onto timber

Component 1 (t_I)

Steel

0.5–1.5

Component 2 (t_{II})

Timber

$l_{ef} \geq 35$

Fastener material

Carbon steel, hardened, Durocoat® 480

Sealing washer: Carbon steel galvanized, EPDM-seal

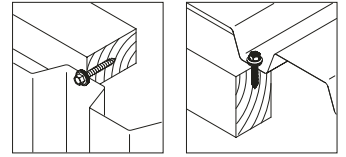
Features and Benefits

- High corrosion durability by special galvanic coating
- High quality EPDM-seal with long durability

Approvals



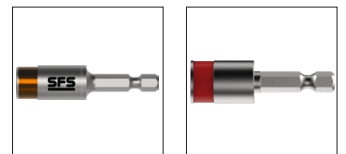
All measures in mm



Fastener in carbon steel

Product code	PU	L	t _{fix, timb}	T16
SW3-T-T16-6,5x50	250	50	0-4	71056

Please refer to the "Definition of clamping range and fixing thickness" in the technical introduction for definitions and diagrams related to t_{fix, timb}.



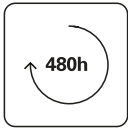
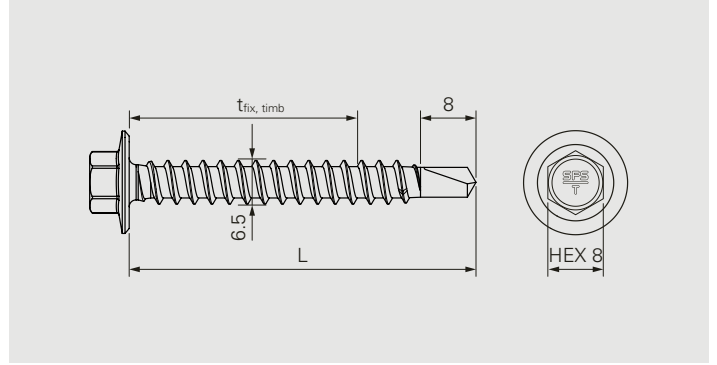
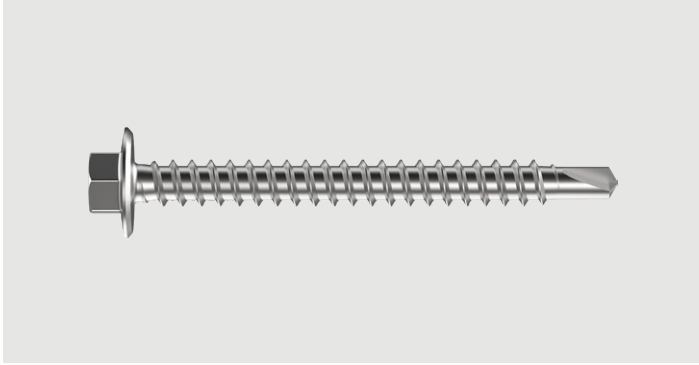
Accessories

Product description	PU	Insert drive	Recess	L	
SOK-IT-¼"-57-8Nm	1	HEX¼"	HEX8	57	1667322
Socket E308-¼"-50				50	1646160

All measures in mm

All information is non-binding and without guarantee. Before using the products, all specifications and calculations must be checked by a suitably qualified person and local regulations must be observed. This document is subject to revision. We reserve the right to make technical changes.

SW3-H15-6.5



Description

Self-drilling fastener made of carbon steel with wide flange

Application

Fastening of metal decks onto timber
Fastening of liner trays onto timber

Component 1 (t_I)

Steel 0.63-1.5

Component 2 (t_{II})

Timber $l_{ef} \geq 35$

Fastener material

Carbon steel, hardened, Durocoat® 480

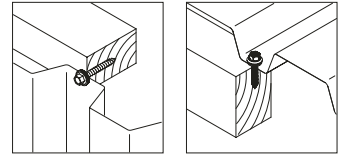
Features and Benefits

- Wide flange for high technical values in the application
- High corrosion durability by special galvanic coating

Approvals



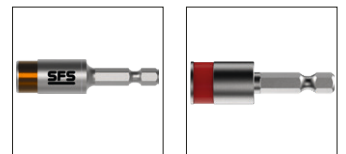
All measures in mm



Fastener in carbon steel

Product code	PU	L	t _{fix, timb}	
SW3-H15-6.5x50	250	50	0-8	1069981
SW3-H15-6.5x65	250	65	0-23	1420323

Please refer to the "Definition of clamping range and fixing thickness" in the technical introduction for definitions and diagrams related to t_{fix, timb}.



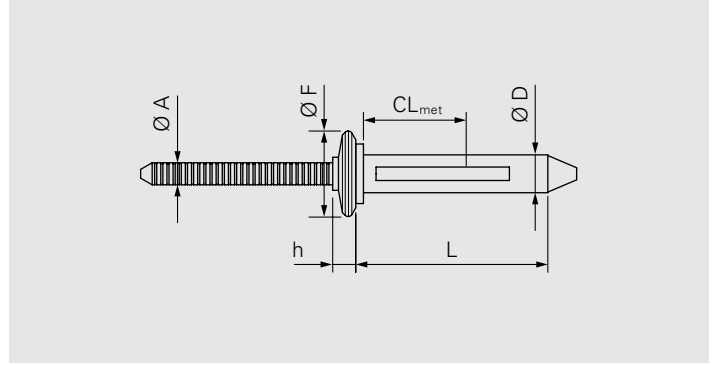
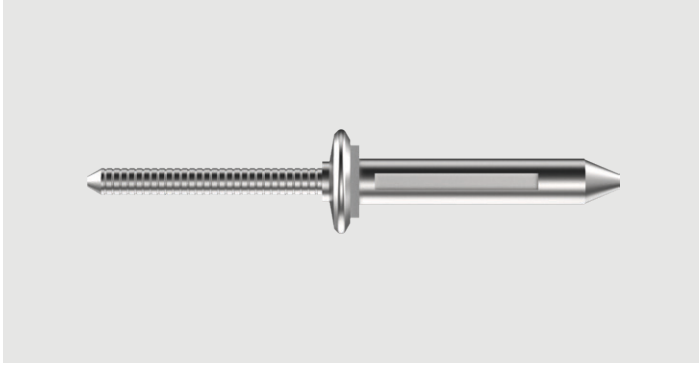
Accessories

Product description	PU	Insert drive	Recess	L	
SOK-IT-¼"-57-8Nm	1	HEX¼"	HEX8	57	1667322
Socket E308-¼"-50				50	1646160

All measures in mm

All information is non-binding and without guarantee. Before using the products, all specifications and calculations must be checked by a suitably qualified person and local regulations must be observed. This document is subject to revision. We reserve the right to make technical changes.

BULB-TITE®



Description

Triple claw blind rivet made of aluminium with sealing ring

Application

- Fastening of flashings onto profile sheets
- Fastening of flashings onto sandwich panels
- Fastening of carrier profiles onto profile sheets
- Fastening of carrier profiles onto sandwich panels
- Fastening of metal profiles onto metal decks
- Fastening of standing seam clips onto metal decks

Fastener material

Aluminium 5056 (EN573)
Sealing ring: Neoprene

Approvals

ETA-13/0255



Component 1 (t_i)

Steel	≥0.4
Aluminium	≥0.5

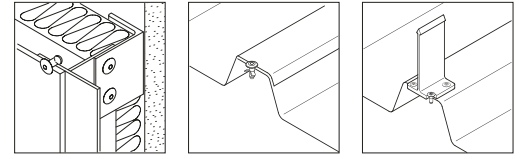
Component 2 (t_{ii})

Steel	≥0.4
Aluminium	≥0.5

Features and Benefits

- Rivet design for high technical values in the application
- Multifunctional use for a variety of applications
- Non-detachable and vibration-resistant
- Neoprene sealing ring for watertight connection

All measures in mm



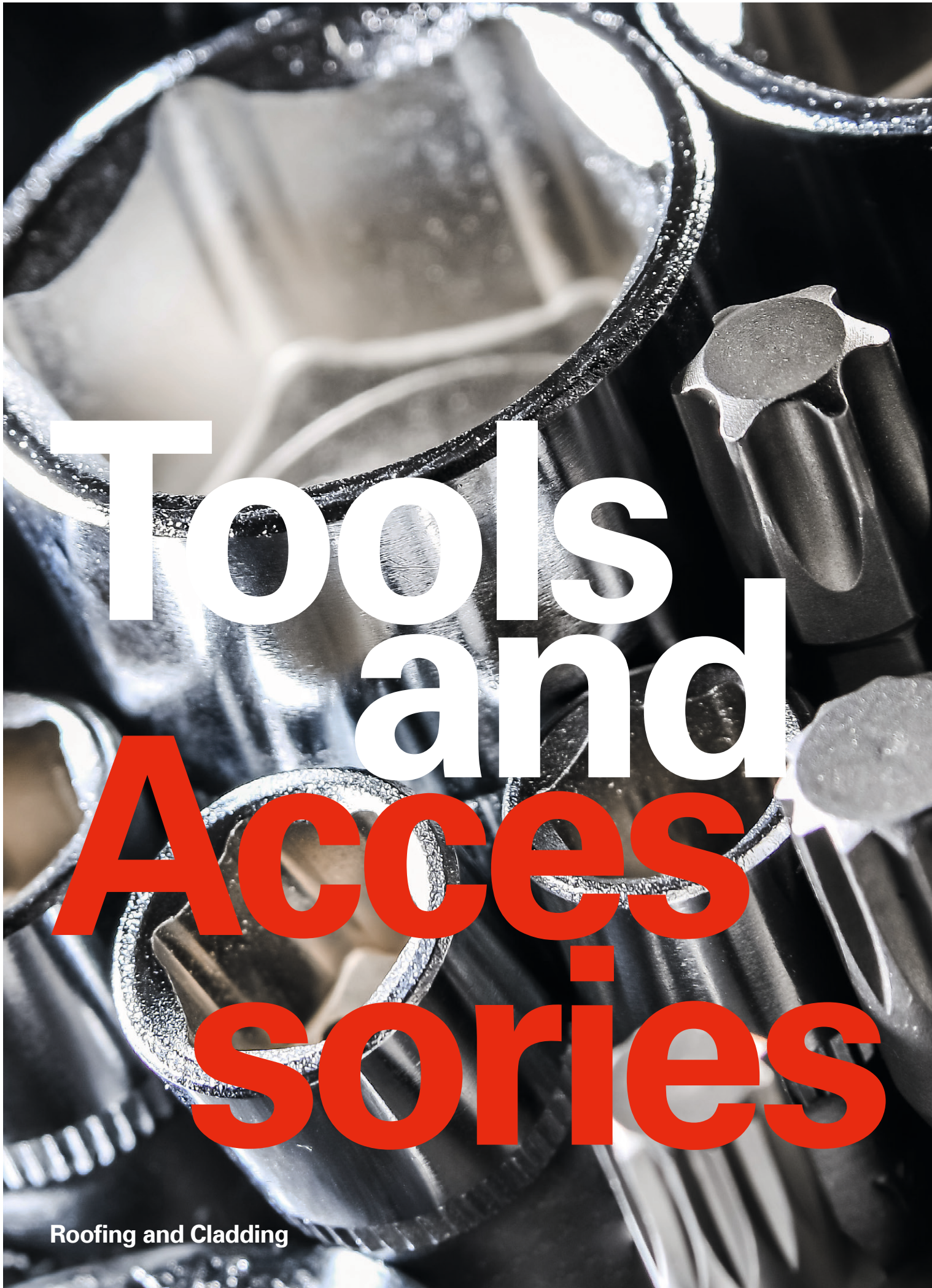
Rivets in aluminium

Product code	PU	Ø	L	CL _{met}	Pre-drill Ø	Ø A	Ø F	h	
RV6604/6/3W-BULB-TITE	1000	5.2	17.5	1.3–4.8	5.3–5.5	2.9	11.6	3.4	1570655
RV6604/6/4W-BULB-TITE			19.1	1.6–6.4					1570656
RV6604/6/6W-BULB-TITE			22.2	4.7–9.5					1570658
RV6604/6/8W-BULB-TITE			25.4	7.9–12.7					1570659
RV6604/6/10W-BULB-TITE			28.6	11.1–15.9					1570629
RV6604/6/12W-BULB-TITE			31.8	14.3–19.1					1570652
RV6603/9/6W-BULB-TITE		7.7	28.0	0.8–9.5	7.8–8.2	4.5	15.9	4.8	1570647
RV6605/9/6W-BULB-TITE	28.0		1.1–9.5	19.4			5.3	1570660	
RV6603/9/10W-BULB-TITE	34.0		6.4–15.9	15.9			4.8	1570649	

Please refer to the "Definition of clamping range and fixing thickness" in the technical introduction for definitions and diagrams related to CL_{met}.

All measures in mm

All information is non-binding and without guarantee. Before using the products, all specifications and calculations must be checked by a suitably qualified person and local regulations must be observed. This document is subject to revision. We reserve the right to make technical changes.



Tools and Accessories





Roofing and Cladding



Bits and sockets










Bits

Product description	PU	Insert drive	Recess	L		
Bit holder ZA $\frac{1}{4}$ "-58	1	HEX $\frac{1}{4}$ "	HEX $\frac{1}{4}$ "	58	1162306	
Bit holder ZA $\frac{1}{4}$ "-300			HEX $\frac{1}{4}$ "	300	1741261	
Bit T20-25-HEX $\frac{1}{4}$ "		T20	25	769471		
Bit T20W-25-HEX $\frac{1}{4}$ "		T20W		53075		
Bit T25-25-HEX $\frac{1}{4}$ "		T25		24008		
Bit T25W-25-HEX $\frac{1}{4}$ "		T25W		7662		
Bit T25W-175-HEX $\frac{1}{4}$ "		T25W	175	727979		

All measures in mm

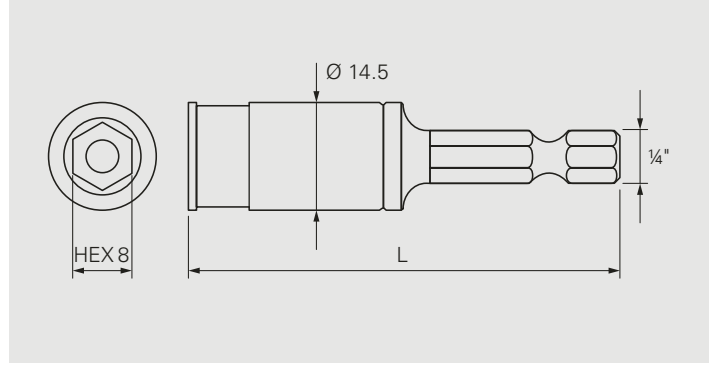
Sockets

Product description	PU	Insert drive	Recess	L		
Socket E308-¼"-50	1	HEX¼"	HEX8	50	1646160	
Socket E420-¼"-74			irius® L12	74	973316	
Socket E508-½"-40		SQ1/2"	HEX8	40	1648380	
SOK-IT-¼"-57-6NM		HEX¼"		57	1667323	
SOK-IT-¼"-57-8NM				1667322		
Socket E380-¾"-34		SQ¾"	34	8018		
Socket holder ZA-¼"-50		HEX¼"	SQ¾"	50	7645	

All measures in mm

All information is non-binding and without guarantee. Before using the products, all specifications and calculations must be checked by a suitably qualified person and local regulations must be observed. This document is subject to revision. We reserve the right to make technical changes.

SOK-IT[®] – Torque socket



Description

Socket with included torque limitation, suitable for installation of fasteners without sealing washers

6 Nm socket for stainless steel fasteners (black)

8 Nm socket for carbon steel fasteners (gold)

Features and Benefits

- Prevention of overwinding, overtightening and fastener breakages
- Usable with screw driver and impact driver
- Clamping ball for a good fit of the socket to the fastener head
- High life time with more than 5'000 installations

All measures in mm

SOK-IT® – Torque socket

Product code	PU	Insert drive	Recess	
SOK-IT-¼"-57-6Nm	1	HEX¼"	HEX8	1667323
SOK-IT-¼"-57-8Nm				1667322

All measures in mm

All information is non-binding and without guarantee. Before using the products, all specifications and calculations must be checked by a suitably qualified person and local regulations must be observed. This document is subject to revision. We reserve the right to make technical changes.

ErgoDek® – Setting Tool



Description

Ergonomic tool for fastening metal deck overlaps with collated fasteners CDM-4.8x20-MED and SL2-4.8x20-MED
Compatible with screwdrivers: Fein ASCS 18-6.3, DeWalt DCF622, Hilti ST1800-A22/ST2000-22
Note: Screwdriver is not included

Features and Benefits

- Ergonomic design, back-friendly for user
- Dramatically reduces installation time, significantly improving efficiency
- Easy and comfortable handling thanks to its lightweight design
- Efficient processing of collated fasteners with effortless and simple reloading
- Used belts stand upright for easy collection, eliminating the need to bend over
- Easy replacement of spare parts without additional tools

Approvals





ErgoDek®-Setting tool

Product code	PU	Compatible screwdriver	
CF20-ErgoDek®-F	1	FEIN ASCS 18-6.3*	1809038
CF20-ErgoDek®-D		DeWalt DCF622*	1844442
CF20-ErgoDek®-H		Hilti ST1800-A22/ST2000-22*	1844444










*The screwdriver is not included in the delivery.

Collated fasteners


Product code	PU		
CDM-4,8×20-MED	250**	1812302	
SL2-4,8×20-MED		1812304	

**10 strips per PU, 25 fasteners per strip

Spare parts

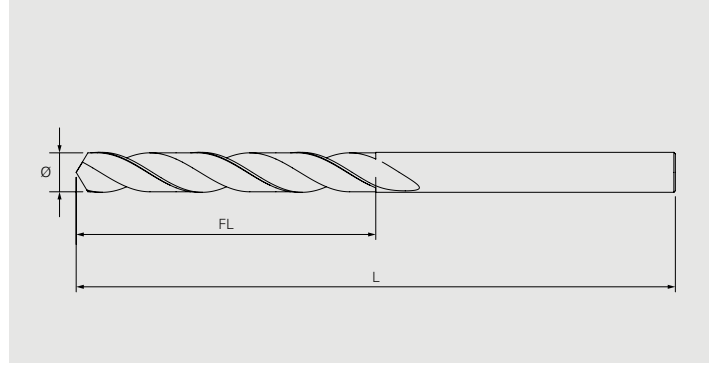
Product code	PU		
CF20-Adapter Fein	1	1809040	
CF20-Adapter DeWalt		1814902	
CF20-Drive bar Fein		1814912	
CF20-Drive bar DeWalt		1814904	
CF20-Drive bar Hilti		1809041	
CF20-Drive bar front piece		1809043	
CF20-Motor holder		1861654	
CF20-Handle		1809042	
CF20-Nose piece		1809044	

Accessories

Product code	PU		
CF20-Box holder	1	1861655	



HSS drill bits



Description

Drill bit made of HSS steel for steel, aluminium and timber
Cylindrical drill end for the use with standard drills

Features and Benefits

- High cutting speed by temperature resistance up to 600 °C
- Optimized flute geometry for universal use in steel, aluminium and timber

All measures in mm

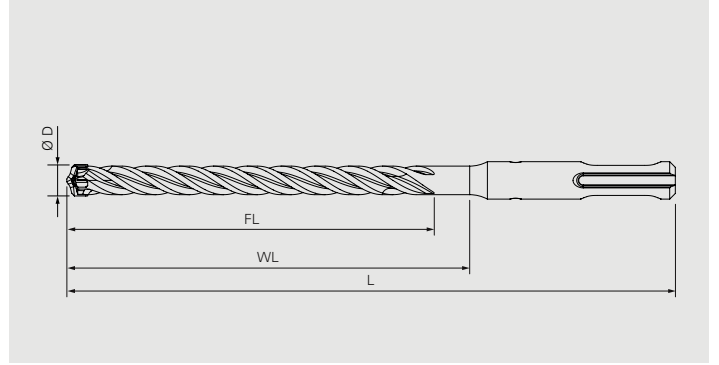
HSS drill bits

Product code	PU	D	L	FL	
HSS-4,9×62/26	1	4.9	62	26	69585
HSS-5,0×60/31	1	5.0	60	31	1046721
HSS-5,0×90/31			90		1046723
HSS-5,0×125/31			125		1046724
HSS-5,0×175/31			175		1206462
HSS-5,0×220/31			220		1046726
HSS-5,0×250/31			250		1206458
HSS-5,3×60/31	1	5.3	60	31	1046734
HSS-5,3×95/31			95		1046735
HSS-5,3×125/31			125		1206451
HSS-5,3×175/31			175		1046738
HSS-5,3×220/31			220		1206450
HSS-5,3×250/31			250		1046740
HSS-5,3×290/31		290		1046751	
HSS-5,5×60/31	1	5.5	60	31	1046752
HSS-5,5×95/31			95		1046753
HSS-5,5×125/31			125		1046754
HSS-5,5×175/31			175		1046755
HSS-5,5×220/31			220		1046756
HSS-5,5×250/31			250		1046757
HSS-5,5×290/31		290		1046758	
HSS-5,7×60/31	1	5.7	60	31	1046760
HSS-5,7×95/31			95		1046772
HSS-5,7×125/31			125		1046773
HSS-5,7×175/31			175		1206429
HSS-5,7×220/31			220		1206428
HSS-5,7×250/31			250		1046777
HSS-5,7×290/31		290		1206427	
HSS-5,8×60/31	1	5.8	60	31	7870
HSS-5,8×100/31			100		7872
HSS-5,8×125/31			125		7891
HSS-5,8×200/31			200		7894
HSS-5,8×260/31			260		7896
HSS-5,8×300/31			300		1238831
HSS-6,5×101/63	1	6.5	101	63	893457

All measures in mm

All information is non-binding and without guarantee. Before using the products, all specifications and calculations must be checked by a suitably qualified person and local regulations must be observed. This document is subject to revision. We reserve the right to make technical changes.

SDS drill bits



Description

Drill bit with 4 carbide cutting edges for reinforced concrete
SDS drill end for the use with rotary hammers

Features and Benefits

- High drilling speed, exact drilling diameters and high service life
- Minimum risk of hooking when hitting reinforced steel
- Optimized flute geometry for fast removing of drilling dust
- Precise positioning of the drill bit by the centering tip
- Proof of suitability in concrete with PGM certificate

All measures in mm

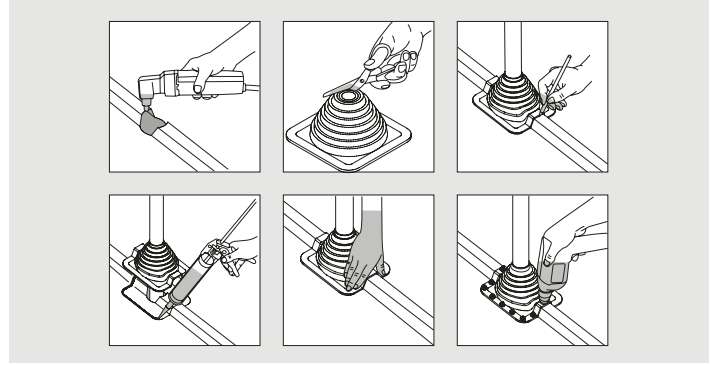
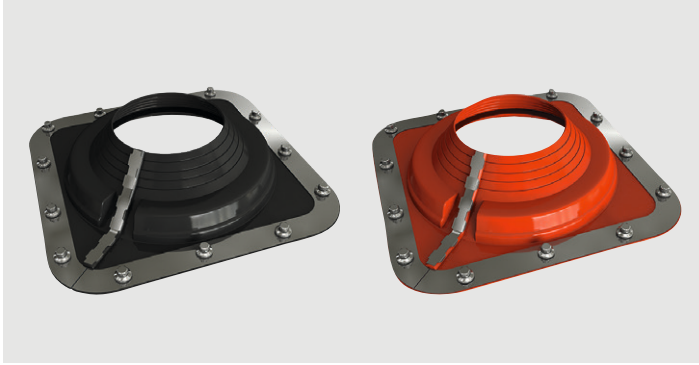
SDS drill bits

Product code	PU	D	L	WL	FL	
SDS-6×215/150-4C	1	6	215	150	150	1487583
SDS-6×315/250-4C			315	250	250	1487584
SDS-6×515/455-4C			515	455	200	1608141
SDS-8×215/150-4C	1	8	215	150	150	1487585
SDS-10×215/150-4C	1	10	215	150	150	1487586

All measures in mm

All information is non-binding and without guarantee. Before using the products, all specifications and calculations must be checked by a suitably qualified person and local regulations must be observed. This document is subject to revision. We reserve the right to make technical changes.

Flashing Combo



Description

Adaptable pipe flashing for a wide variety of roof profile sheet shapes

Permanently sealing of a pipe penetration – leak-proof, vibration-proof, heat-proof and weather-proof

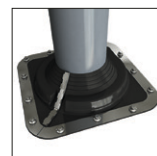
EPDM pipe flashing for temperatures up to +115 °C (black)

Silicone pipe flashing for temperatures up to +200 °C (red)

Features and Benefits

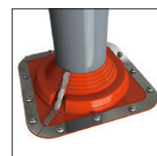
- Suitable for standard and retrofit applications
- Soft embedded aluminium frame for simple adaptation to the profile sheet
- Absorption of vibrations and pipe movements by the flexible flashing design
- Operating temperature of EPDM flashing from –50 °C up to +115 °C (intermittently up to +150 °C)
- Operating temperature of Silicone flashing from –50 °C up to +200 °C (intermittently up to +250 °C)
- 20 years warranty

All measures in mm



Flashing Combo EPDM black

Product code	PU	Ø min.	Ø max.	Base	Required fixing kit	
Flashing Combo N°1 5-60-BLACK	1	5	60	139×139	Set N°1	1541691
Flashing Combo N°3 5-127-BLACK			127	218×218	Set N°2	1541692
Flashing Combo N°4 75-175-BLACK		75	175	285×285	Set N°2	1522467
Flashing Combo N°5 108-190-BLACK		108	190	365×365		1550019
Flashing Combo N°6 125-230-BLACK		125	230	454×454		1522473
Flashing Combo N°7 150-280-BLACK		150	280			1550021
Flashing Combo N°8 175-330-BLACK		175	330	685×685	Set N°3	1522474
Flashing Combo N°9 240-503-BLACK		240	503		1541693	
Flashing Combo N°10 350-750-BLACK		350	760	1000×1045	Set N°4	1541694



Flashing Combo Silicone red

Product code	PU	Ø min.	Ø max.	Base	Required fixing kit	
Flashing Combo N°1 5-60-RED	1	5	60	139×139	Set N°1	1565212
Flashing Combo N°3 5-127-RED			127	218×218	Set N°2	1565213
Flashing Combo N°4 75-175-RED		75	175	285×285	Set N°2	1565218
Flashing Combo N°5 108-190-RED		108	190	365×365		1565232
Flashing Combo N°6 125-230-RED		125	230	454×454		1565233
Flashing Combo N°7 150-280-RED		150	280			1565234
Flashing Combo N°8 175-330-RED		175	330	685×685	Set N°3	1565235
Flashing Combo N°9 240-503-RED		240	503		1565236	

All measures in mm

All information is non-binding and without guarantee. Before using the products, all specifications and calculations must be checked by a suitably qualified person and local regulations must be observed. This document is subject to revision. We reserve the right to make technical changes.

Fixing kit onto metal sheets

Product code	PU	Coltogum transparent	Fastener SX3/9-A12-6,0x29	
MF-SET-1-SX3	1	1 pcs.	12 pcs.	1019634
MF-SET-2-SX3			24 pcs.	1019635
MF-SET-3-SX3			36 pcs.	1019637
MF-SET-4-SX3			48 pcs.	1019638

Fixing kit onto aluminium sheets

Product code	PU	Coltogum transparent	Rivet RV6604	
MF-SET-1-RV6604	1	1 pcs.	12 pcs.	1019640
MF-SET-2-RV6604			24 pcs.	1019651
MF-SET-3-RV6604			36 pcs.	1019652

Single components

Product code	PU		
SX3/9-A12-6x29	500		1141972
RV6604/6/4W-BULB-TITE	1000		1570656
Coltogum sealing compound	1		588087

All measures in mm



Sealing tape LDL



Technical characteristics

Building material class DIN 4102	B1 (flame retardant)
Vapour diffusion resistance factor	$\mu < 100$
Temperature resistance	-30 °C up to +90 °C
Air tightness DIN 18542	BGR
Joint permeability DIN 18542	BG1
Driving rain resistance DIN 18542	600 Pa
Weather resistant DIN 18542	passed
Compatibility with construction materials DIN 18542	passed
Storage temperature	+1 °C up to +20 °C
Storage time	9 months
Processing temperature	>5 °C
Color	anthracite

Description

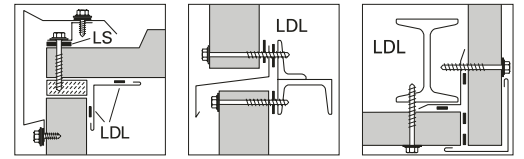
Joint sealing tape made of impregnated open-cell polyurethane soft foam (PU)
 Pre-compressed and one-sided self-adhesive
 Suitable for airtight sealing of joints in interior roof and wall applications (DIN 18542, BGR)
 Suitable for sealing of joints in exterior roof and wall applications (DIN 18542, BG1)

Application

Sealing of joints between sandwich panel connections
 Sealing of joints between overlaps of metal decks
 Sealing of joints between overlaps of liner trays

Features and Benefits

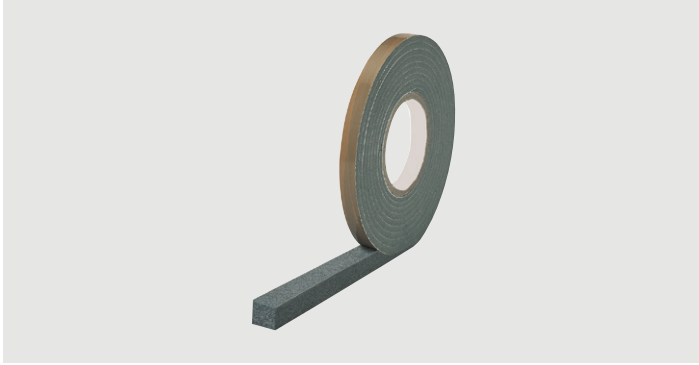
- Permanently elastic with life-long movement capacity
- Air tight, water vapour permeable
- Weathering and ageing resistant
- Accoustic and thermal insulation properties
- Halogen-free, solvent-free



Sealing tape LDL

Product code	PU	Tape wide (mm)	Joint wide (mm)		Roll length (m)		
			BG1	BGR			
LDL-10/2-4	1	10	2-4	2-3	22	1467478	
LDL-14/2-4		14				1467490	
LDL-14/2-6				2-6	2-4	18	1467491
LDL-14/3-9				3-9	3-5	12	1467492
LDL-19/7-15			19	7-15	7-8	6	1524572
LDL-30/7-15			30				1525296

Sealing tape LS



Technical characteristics

Building material class DIN 4102	B2 (normal flammability)
Vapour diffusion resistance factor	$\mu < 100$
Temperature resistance	-30 °C up to +90 °C
Processing temperature	>+5 °C
Joint permeability DIN 18542	BG2
Driving rain resistance DIN 18542	300 Pa
Weather resistant DIN 18542	passed
Compatibility with construction materials DIN 18542	passed
Storage temperature	+1 °C up to +20 °C
Storage time	1 year

Description

Joint sealing tape made of impregnated open-cell polyurethane soft foam (PU)

Pre-compressed and one-sided self-adhesive

Suitable for sealing of joints in exterior roof and wall applications not directly exposed to weathering (DIN 18542, BG2)

Application

Sealing of joints between overlaps of sandwich panels

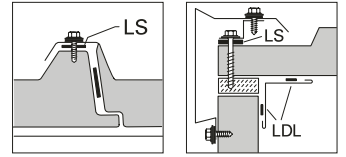
Sealing of joints between overlaps of profile sheets

Sealing of joints between flashings and sandwich panels

Sealing of joints between flashings and profile sheets

Features and Benefits

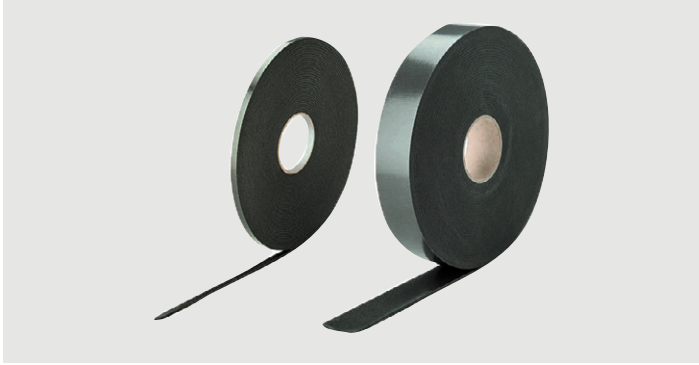
- Permanently elastic with life-long movement capacity
- Water vapour permeable
- Weathering and ageing resistant
- Acoustic and thermal insulation properties
- Halogen-free, solvent-free



Sealing tape LS

Product code	PU	Tape wide (mm)	Joint wide (mm)	Roll length (m)	
LS-10/1,5-2	1	10	1.50–2.0	25	1163529
LS-10/3-5,5			3.0–5.50	13	1163530
LS-15/1,5-2		15	1.50–2.0	25	1163532
LS-15/3-4			3.0–4.0	18	1163535
LS-15/3-5,5			3.0–5.50	13	1163537
LS-20/3-4		20	3.0–4.0	18	1224066
LS-20/5-8			5.0–8.0	7	1163539
LS-20/8-12			8.0–12.0	5	1224068
LS-30/1,5-2		30	1.50–2.0	25	1163540
LS-30/3-5,5			3.0–5.50	13	1163551

Sealing tape PE



Technical characteristics

Building material class DIN 4102	B2 (normal flammability)
Thermal conductivity EN ISO 12667	0,04 W/m x K
Vapour diffusion resistance factor	$\mu < 100$
Temperature resistance	-30 °C up to +80 °C
Weather resistant DIN 18542	passed
Compatibility with construction materials DIN 18542	passed
Storage temperature	+1 °C up to +20 °C
Storage time	1 year

Description

Sealing tape made of closed-cell polyethylene foam (PE)

One-sided self-adhesive

Suitable for sealing of joints with uniform joint width

Suitable for thermal separation of construction components without high requirements on thermal bridges

Application

Thermal separation between profile sheets and metal profiles

Thermal separation between profile sheets and liner trays

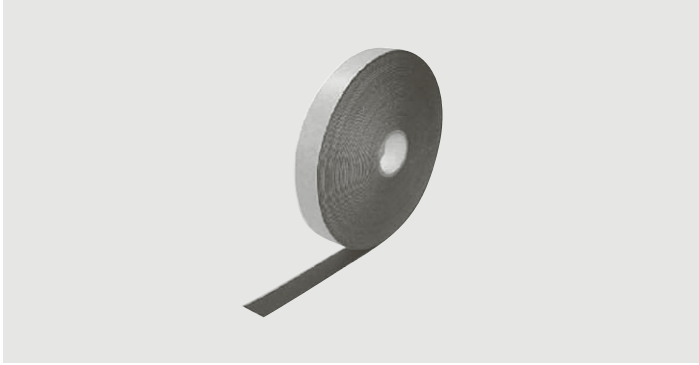
Features and Benefits

- Dimensional stable
- Thermal insulation properties
- Ageing resistant
- Environmentally friendly–chemically neutral

Sealing tape PE

Product code	PU	Tape wide (mm)	Joint wide (mm)	Roll length (m)		
PE-15×2	1	15	2	30	1163556	
PE-15×3			3		1163558	
PE-25×2		25	2		1163559	
PE-40×4		40	4		20	1163561
PE-60×5		60	5		1324731	
PE-SB-50/6	1	50	6	50	1507257	
PE-SB-90/6		90			1187232	
PE-SB-115/6		115			1187233	
PE-SB-140/6		140			1187234	
PE-SB-165/6		165			1187236	
PE-SB-190/6		190			1187237	
PE-SB-220/6		220			1214554	

Decoupling tape EB



Technical characteristics

Building material class DIN 4102	B2 (normal flammable)
Thermal conductivity EN ISO 12572	0.042 W/m x K
Temperature resistance	-30 °C up to +80 °C
Building material compatibility DIN 18542	passed
Storage temperature	+1 °C up to +20 °C
Storage time	1 years
Processing temperature	>5 °C

Description

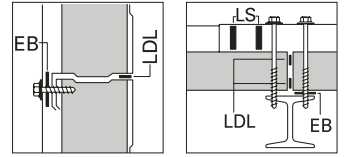
Decoupling tape made of closed-cell polypropylene foam (PP)
 One-sided self-adhesive
 Suitable for thermal separation of construction components

Application

Thermal separation between profile sheets and metal profiles
 Thermal separation between profile sheets and liner trays

Features and Benefits

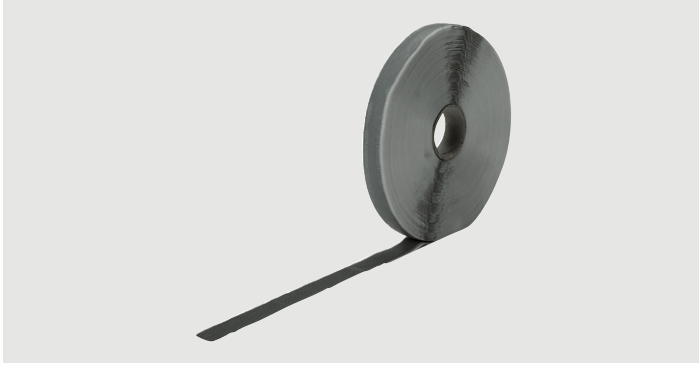
- Dimensional stable, compression resistant
- Thermal insulation properties
- Ageing resistance
- Environmentally friendly – chemically neutral



Decoupling tape EB

Product code	PU	Tape wide (mm)	Joint wide (mm)	Roll length (m)	
EB-30×3-SK	1	30	3	30	1163565
EB-40×3-SK		40			1163566
EB-50×3-SK		50			1163567
EB-60×3-SK		60			1163568
EB-80×3-SK		80			1163570
EB-90×3-SK		90			1385482

Butyl tape BB



Technical characteristics

Building material class DIN 4102	B2 (normal flammable)
Temperature resistance	-40 °C up to +80 °C
Storage temperature	+10 °C up to +25 °C
Storage time	at +20 °C unlimited

Description

Sealing tape made of butyl rubber
 Double-sided self-adhesive
 Suitable for watertight sealing of joints in exterior roof and wall applications

Application

Sealing of joints between overlaps of sandwich panels
 Sealing of joints between overlaps of profile sheets


Features and Benefits

- Volume resistant
- High adhesion properties
- Water tight, water vapour impermeable
- Weathering, ageing and UV resistant
- Bitumen compatible
- Solvent-free, bitumen-free

Butyl tape BB

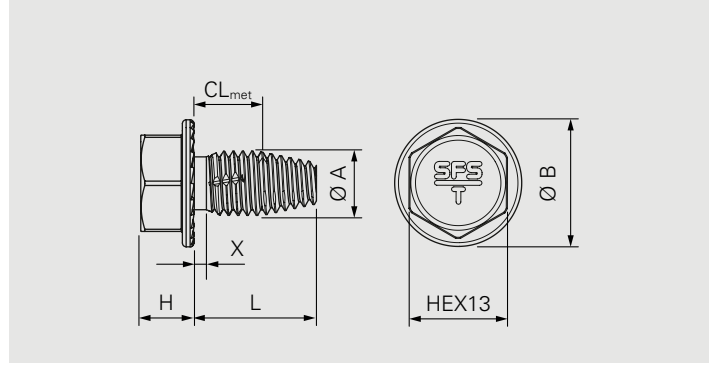
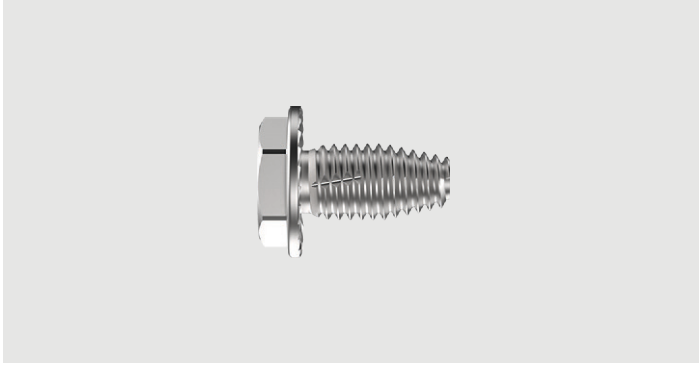
Product code	PU	Tape wide (mm)	Joint wide (mm)	Roll length (m)	
BB-10×1,5	1	10	1.5	25	1163572



The image features a background of a clear blue sky with light, wispy clouds. A dark grey, textured structural beam or ledge runs diagonally from the top left towards the center. The title 'Structural Connections' is centered in the lower half of the image. 'Structu' and 'ral' are in white, while 'Connec' and 'tions' are in a bold red color.

Structu ral Connec tions

nonut[®] 8.6



Description

Self-tapping fastener made of carbon steel with trilobular thread inlet

Application

Structural connections of metal profiles

Component 1 (t₁)

Steel see ETA 11/0191

Component 2 (t_{II})

Steel see ETA 11/0191

Fastener material

Carbon steel, hardened, Durocoat[®] 480

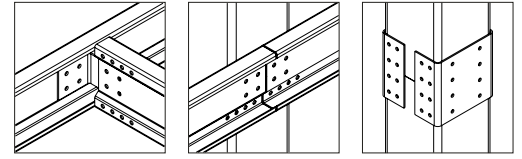
Approvals



Features and Benefits

- Simple one side installation as no nut is required
- Fastener designed for high technical values in the application
- Fast and user friendly installation with impact gun
- Centering of the pre-punched metal profiles by conical thread inlet
- Patented thread design for optimized thread forming capability
- Highest safety regarding overwinding and self-loosening

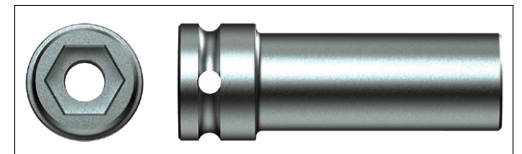
All measures in mm



Fastener in carbon steel onto steel

Product code	PU	L	CL _{met}	Head	Ø A	Ø B	x	H	
nonut®-TDBL-T-8,6×16	200	16	0-9	HEX13	8.6	16.0	2.0	7	1542214
nonut®-TDBLF-T-F-8,6×16							<1.0	4.7	1541860
nonut®-TDBL-T-8,6×50	100	50	0-43				3.0	7	1607124

Please refer to the "Definition of clamping range and fixing thickness" in the technical introduction for definitions and diagrams related to CL_{met}.



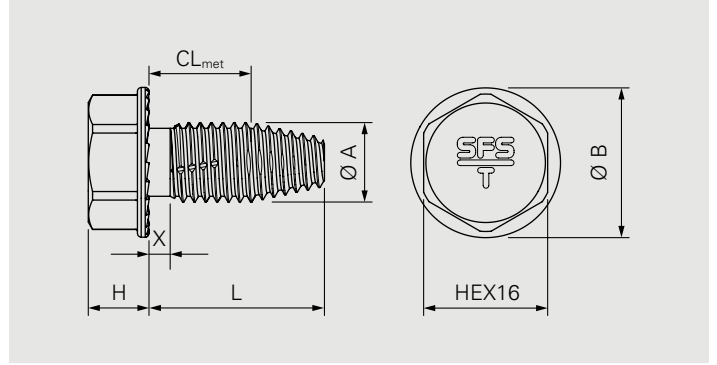
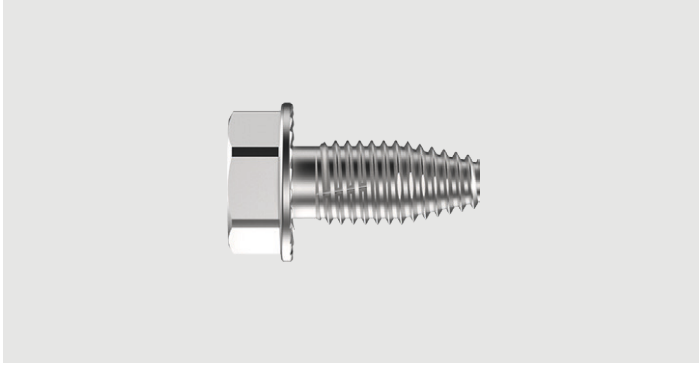
Accessories

Product description	PU	Insert drive	Recess	L	
Socket E313-¼"-50	1	HEX1/4"	HEX13	50	508029
Socket E513-½"-78		½" sq.		78	1649258

All measures in mm

All information is non-binding and without guarantee. Before using the products, all specifications and calculations must be checked by a suitably qualified person and local regulations must be observed. This document is subject to revision. We reserve the right to make technical changes.

nonut[®] 10.6



Description

Self-tapping fastener made of carbon steel with trilobular thread inlet

Application

Structural connections of metal profiles

Component 1 (t₁)

Steel see ETA 11/0191

Component 2 (t₂)

Steel see ETA 11/0191

Fastener material

Carbon steel, hardened, Durocoat[®] 480

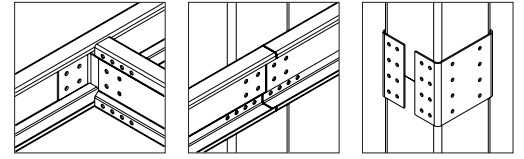
Approvals



Features and Benefits

- Simple one side installation as no nut is required
- Fastener designed for high technical values in the application
- Fast and user friendly installation with impact gun
- Centering of the pre-punched metal profiles by conical thread inlet
- Patented thread design for optimized thread forming capability
- Highest safety regarding overwinding and self-loosening

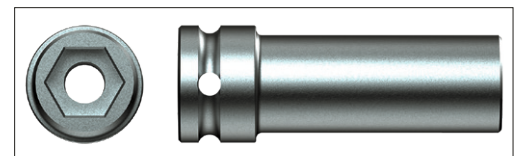
All measures in mm



Fastener in carbon steel onto steel

Product code	PU	L	CL _{met}	Head	Ø A	Ø B	x	H	
nonut®-TDBL-T-10,6x23	100	23	0-13	HEX16	10.6	20.0	3.0	8	1542223
nonut®-TDBLF-T-10,6x23							<1.50		1542229
nonut®-TDBL-T-10,6x30		3.0	1542217						
nonut®-TDBL-T-10,6x50		50	0-40				1561761		

Please refer to the "Definition of clamping range and fixing thickness" in the technical introduction for definitions and diagrams related to CL_{met}.



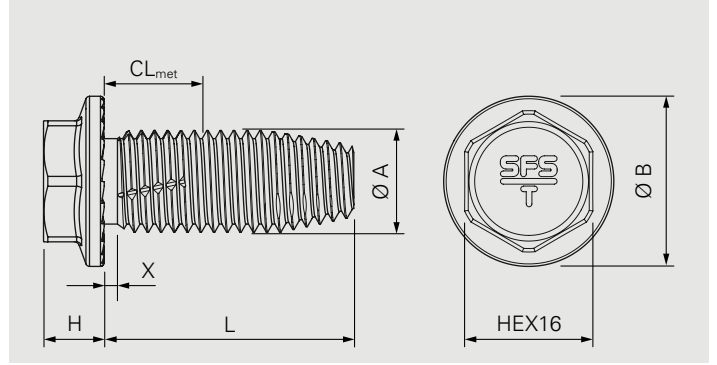
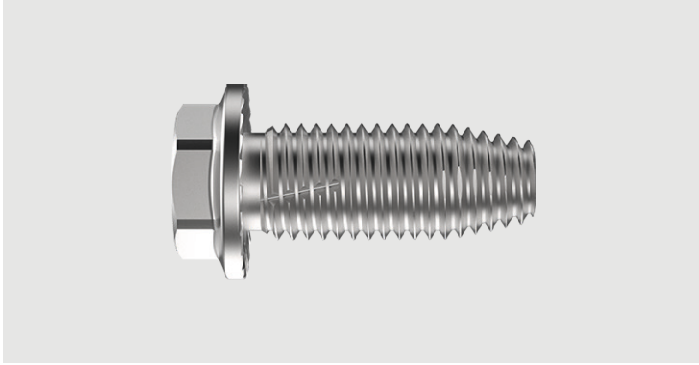
Accessories

Product description	PU	Insert drive	Recess	L	
Socket E416-1/2"-38	1	1/2" sq.	HEX16	38	1389740
Socket E516-1/2"-78 red.				78	1649257
Socket E516-1/2"-78					1649256

All measures in mm

All information is non-binding and without guarantee. Before using the products, all specifications and calculations must be checked by a suitably qualified person and local regulations must be observed. This document is subject to revision. We reserve the right to make technical changes.

nonut[®] 13.4



Description

Self-tapping fastener made of carbon steel with trilobular thread inlet

Application

Structural connections of metal profiles

Component 1 (t_i)

Steel see ETA 11/0191

Component 2 (t_{ii})

Steel see ETA 11/0191

Fastener material

Carbon steel, hardened, Durocoat[®] 480

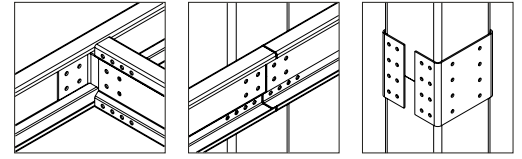
Approvals



Features and Benefits

- Simple one side installation as no nut is required
- Fastener designed for high technical values in the application
- Fast and user friendly installation with impact gun
- Centering of the pre-punched metal profiles by conical thread inlet
- Patented thread design for optimized thread forming capability
- Highest safety regarding overwinding and self-loosening

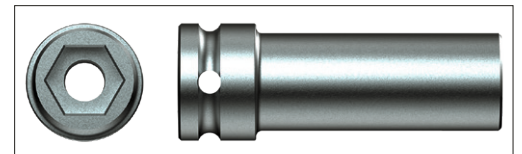
All measures in mm



Fastener in carbon steel onto steel

Product code	PU	L	CL _{met}	Head	Ø A	Ø B	x	H	
nonut®-TDBLF-T-13,4x23	100	23	0-13	HEX16	13.4	22.0	<2.0	8	1589570
nonut®-TDBLF-T-13,4x33		33	0-23						1592605

Please refer to the "Definition of clamping range and fixing thickness" in the technical introduction for definitions and diagrams related to CL_{met}.



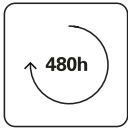
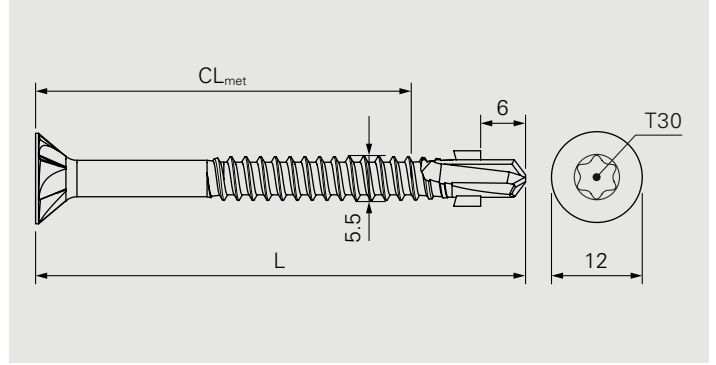
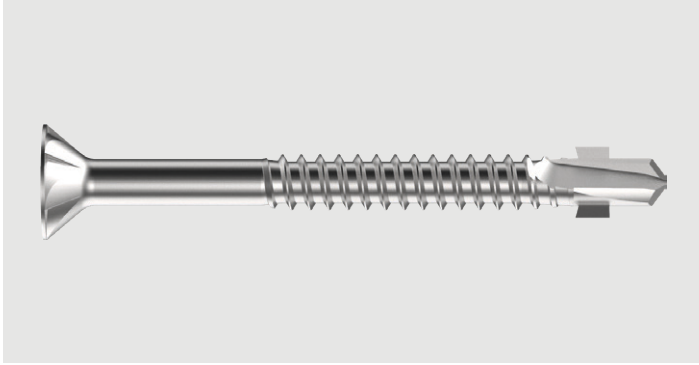
Accessories

Product description	PU	Insert drive	Recess	L	
Socket E416-1/2"-38	1	1/2" sq.	HEX16	38	1389740
Socket E516-1/2"-78 red.				78	1649257
Socket E516-1/2"-78					1649256

All measures in mm

All information is non-binding and without guarantee. Before using the products, all specifications and calculations must be checked by a suitably qualified person and local regulations must be observed. This document is subject to revision. We reserve the right to make technical changes.

SC5-5.5



Description

Self-drilling fastener made of carbon steel with cutting wings and countersunk head

Application

Fastening of timber boards onto supporting steel structures

Component 1 (t₁)

Timber OSB3	>=12.0
Timber P2	>=16.0
Timber P4	>=38.0
Timber P6	>=38.0

Component 2 (t_{II})

Steel	1.75–5.0
-------	----------

Please refer to AbZ: Z-14.4-872

Fastener material

Carbon steel, hardened, Durocoat® 480

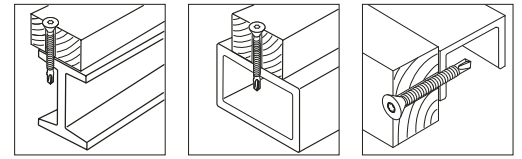
Features and Benefits

- Fastener head with milling grooves for flush-mounted installation without damaging the timber surface
- Cutting wings for efficient drilling of the through hole in timber
- Suitable for installation with CF250 and CF250 PL setting tools

Approvals



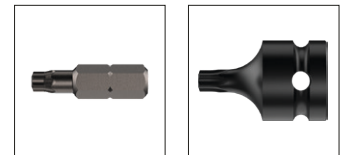
All measures in mm



Fastener in carbon steel onto steel

Product code	PU	L	CL _{met}	
SC5/46-12CC-5,5x60	1000	60	25-46	1580102

Please refer to the "Definition of clamping range and fixing thickness" in the technical introduction for definitions and diagrams related to CL_{met}.



Accessories

Product description	PU	Insert drive	Recess	L	
Bit T30-25-HEX ¼"	10	HEX ¼"	T30	25	1690315
Bit T30-35-½"	1	SQ ½"		35	1690314

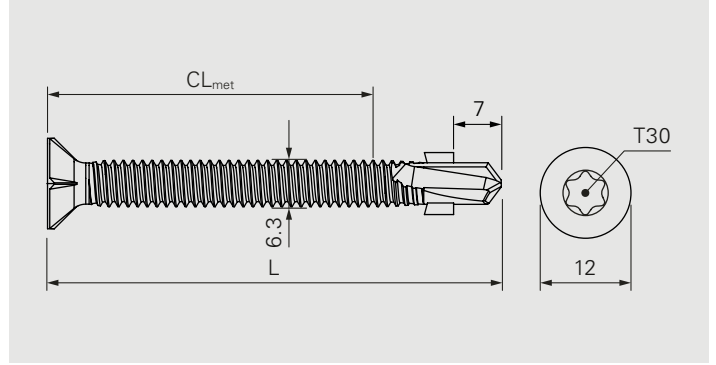
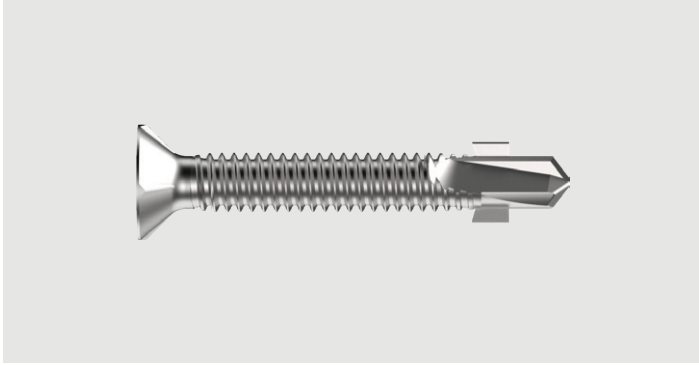
Tools

Product description	PU	Insert drive	Voltage V	rpm	
CF250-230V-1560 RPM-COMPL	1	¼"	220	1560	9653444
CF250-PL-230V-COMPL					1104016

All measures in mm

All information is non-binding and without guarantee. Before using the products, all specifications and calculations must be checked by a suitably qualified person and local regulations must be observed. This document is subject to revision. We reserve the right to make technical changes.

SC6-6.3



Description

Self-drilling fastener made of carbon steel with cutting wings and countersunk head

Application

Fastening of timber boards onto supporting steel structures

Component 1 (t_i)

Timber OSB3	≥ 12.0
Timber P2	≥ 16.0
Timber P4	≥ 38.0
Timber P6	≥ 38.0

Component 2 (t_{ii})

Steel	2.5–6.0
-------	---------

Please refer to AbZ: Z-14.4-872

Fastener material

Carbon steel, hardened, galvanized

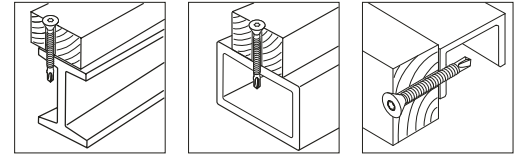
Features and Benefits

- Fastener head with milling grooves for flush-mounted installation without damaging the timber surface
- Cutting wings for efficient drilling of the through hole in timber
- Suitable for installation with CF250 and CF250 PL setting tools

Approvals



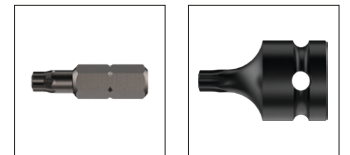
All measures in mm



Fastener in carbon steel onto steel

Product code	PU	L	CL _{met}	
SC6/44-12-U6,3×60	1000	60	8-44	934071

Please refer to the "Definition of clamping range and fixing thickness" in the technical introduction for definitions and diagrams related to CL_{met}.



Accessories

Product description	PU	Insert drive	Recess	L	
Bit T30-25-HEX ¼"	10	HEX ¼"	T30	25	1690315
Bit T30-35-½"	1	SQ ½"		35	1690314

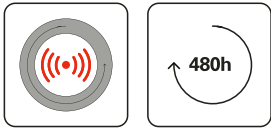
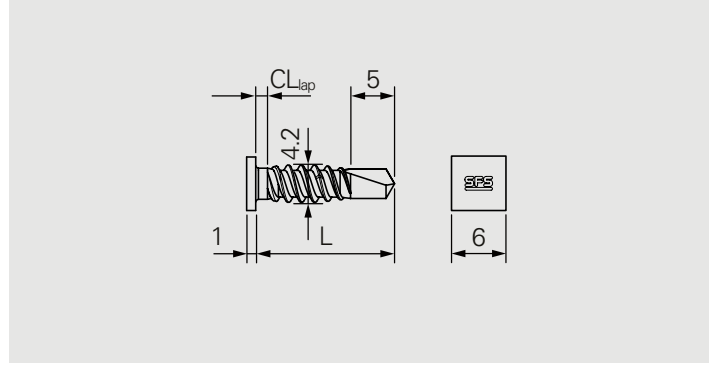
Tools

Product description	PU	Insert drive	Voltage V	rpm	
CF250-230V-1560 RPM-COMPL	1	¼"	220	1560	9653444
CF250-PL-230V-COMPL					1104016

All measures in mm

All information is non-binding and without guarantee. Before using the products, all specifications and calculations must be checked by a suitably qualified person and local regulations must be observed. This document is subject to revision. We reserve the right to make technical changes.

SDL3-F-4.2



Description

Self-drilling fastener made of carbon steel with flat square head and free-spin zone

Application

Fastening of light gauge steel frames

Component 1 (t_I)

Steel 0.7–2.0

Component 2 (t_{II})

Steel 0.7–2.0

Condition: Total thickness withing CL_{lap}

Fastener material

Carbon steel, hardened, Durocoat® 480

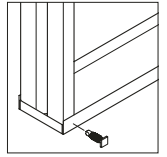
Features and Benefits

- Flat head suitable for the application
- Double thread for fast installation
- Comfortable installation without required torque control
- Increased security against unwinding by the free-spin zone

Approvals

–

All measures in mm



Fastener in carbon steel onto steel

Product code	PU	L	CL _{lap}	
SDL3-F-4.2x15	1000	15	1.4-2.7	857296

Please refer to the "Definition of clamping range and fixing thickness" in the technical introduction for definitions and diagrams related to CL_{lap}.



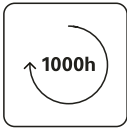
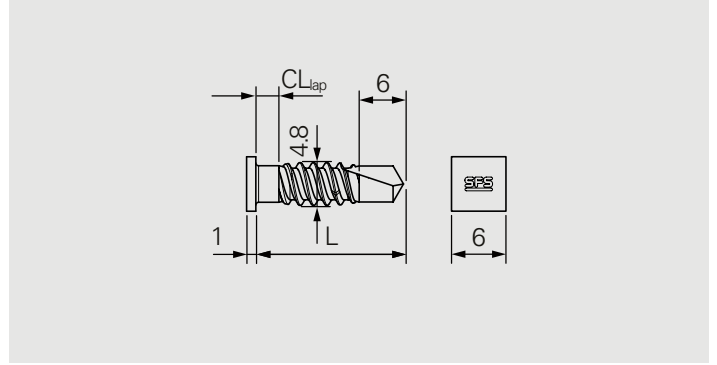
Accessories

Product description	PU	Insert drive	Recess	L	
Socket E466-¼"-40	1	HEX¼"	SQ6	40	858496

All measures in mm

All information is non-binding and without guarantee. Before using the products, all specifications and calculations must be checked by a suitably qualified person and local regulations must be observed. This document is subject to revision. We reserve the right to make technical changes.

SDL4-F-4.8



Description

Self-drilling fastener made of carbon steel with flat square head and free-spin zone

Application

Fastening of light gauge steel frames

Component 1 (t₁)

Steel 0.7–2.0

Component 2 (t_{II})

Steel 0.7–2.0

Condition: Total thickness withing CL_{lap}

Fastener material

Carbon steel, hardened, Durocoat® 1000 hours salt spray test, 15 cycles kester nich test

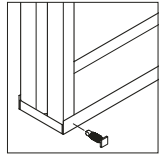
Features and Benefits

- Flat head suitable for the application
- Double thread for fast installation
- Comfortable installation without required torque control
- Increased security against unwinding by the free-spin zone

Approvals

–

All measures in mm



Fastener in carbon steel onto steel

Product code	PU	L	CL _{lap}	
SDL4-F-4.8x16-D	1000	16	2.7-4.0	1625778

Please refer to the "Definition of clamping range and fixing thickness" in the technical introduction for definitions and diagrams related to CL_{lap}.



Accessories

Product description	PU	Insert drive	Recess	L	
Socket E466-¼"-40	1	HEX¼"	SQ6	40	858496

All measures in mm

All information is non-binding and without guarantee. Before using the products, all specifications and calculations must be checked by a suitably qualified person and local regulations must be observed. This document is subject to revision. We reserve the right to make technical changes.

CF250, CF250-PL Setting tools



CF250 Application

Ergonomic setting tool for processing of winged drilling fasteners for fastening of timber to steel structures. Drilling pressure is exerted by the operator.

For fasteners	SC5, SC6
For fastener length:	30–120 mm
Head Ø	12/15 mm
Bits	T30/T40

Technical information

Power supply	220 V
Wattage	740 W
Revs. under full load	1560 rpm
Dimension	200x450x1150 mm
Weight	10.0 kg

Features and Benefits

- Ergonomic design for fastening in an upright position
- Easy and comfortable handling and drilling even in heavy steel applications
- Efficient processing of fasteners with effortless and simple reloading. No manual force required for CF250-PL version due to pneumatical drive



CF250-PL Application

For comfortable, semi-automatic setting in an upright posture. Drilling pressure is produced by the pneumatic unit. Recommended for high setting performance and large volumes.

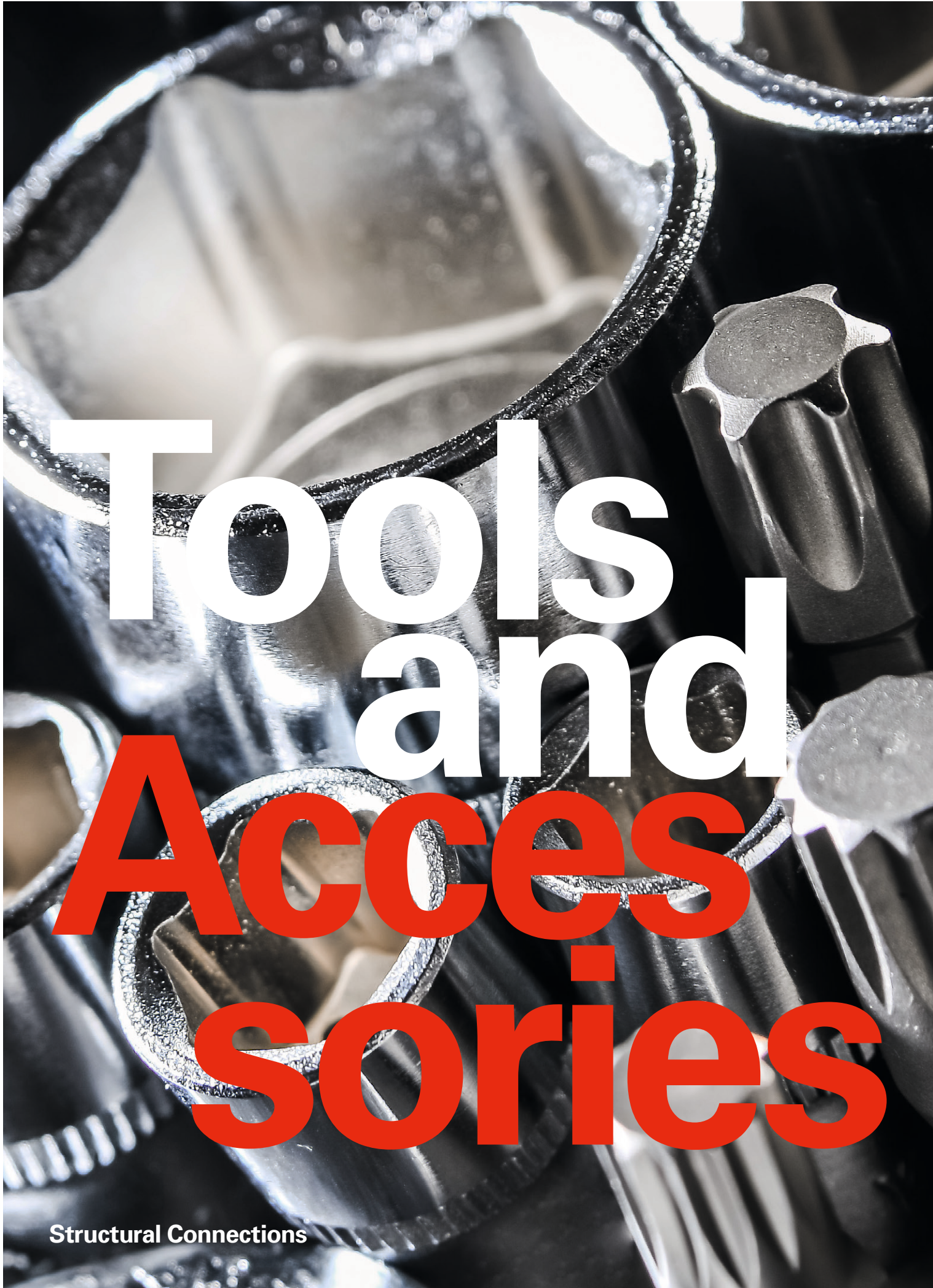
For fasteners	SC5, SC6
For fastener length:	30–120 mm
Head Ø	12/15 mm
Bits	T30/T40

Technical information

Power supply	220 V
Wattage	740 W
Revs. under full load	1560 rpm
Dimension	500x450x1150 mm
Weight	24.0 kg
Required air pressure	6 bar

Product Range

Product code	PU	
CF250-230V-1560 RPM-COMPL	1	9653444
CF250-PL-230V-COMPL		1104016










Tools and Accessories

Structural Connections



Sockets

Product description	PU	Insert drive	Recess	L		
Socket E466-¼"-40	1	HEX1/4"	SQ6	40	858496	
Socket E313-¼"-50			HEX13	50	508029	
Socket E416-½"-38		SQ½"	HEX16	38	1389740	
Socket E513-½"-78			HEX13	78	1649258	
Socket E516-½"-78			HEX16		1649256	
Socket E516-½"-78-red					1649257	
Socket ZAW-½"-75			SQ½"	75	1684227	
Socket ZAW-½"-150				150	1684205	

All measures in mm

All information is non-binding and without guarantee. Before using the products, all specifications and calculations must be checked by a suitably qualified person and local regulations must be observed. This document is subject to revision. We reserve the right to make technical changes.

